

## ANGLE WALL-MOUNTED CORNER HAND BASIN, MODEL 25031

- Space-saving contemporary design
- Vitreous china construction
- Available in white only
- Art design availability
- Faucet ledge
- Supplied with strainer-type drain assembly
- Center hole (1-3/8" dia.) only



### Nominal Overall Dimensions:

20-1/4" x 16" (514 x 406mm)

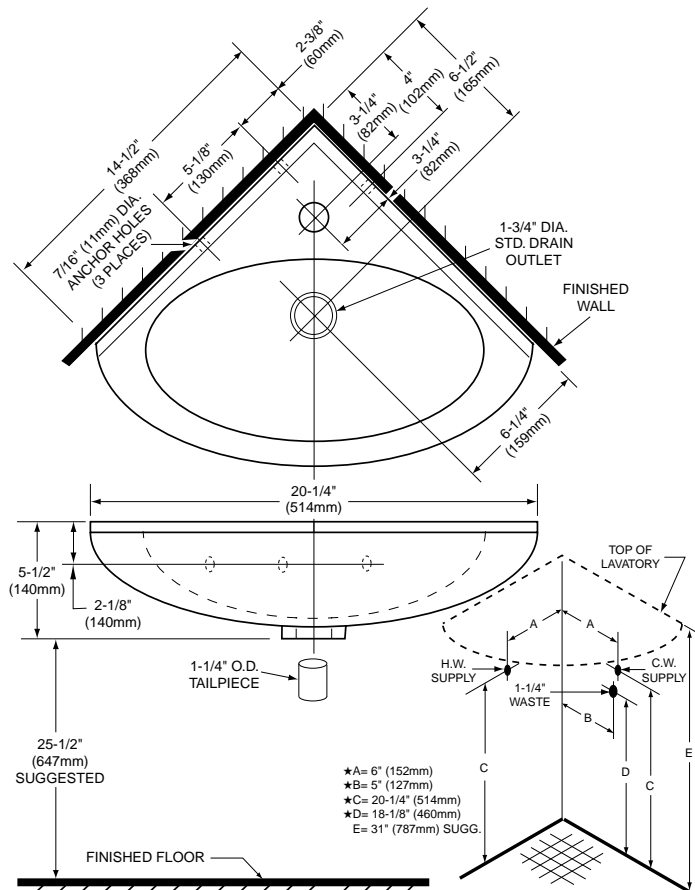
### Bowl Inside Dimensions:

14-3/4" (375mm) wide

8-1/2" (216mm) front to back

4-3/8" (111mm) depth

Fixture Dimensions conform to ANSI Standard A112.19.2M



### To Be Specified

- Color:
- Art Design:
- Faucet:
- Faucet Finish:
- Supplies:
- 1-1/4" Trap:
- Nipple:

### NOTES:

★ DIMENSIONS SHOWN FOR LOCATION OF SUPPLIES AND "P" TRAP ARE SUGGESTED. PROVIDE SUITABLE REINFORCEMENT FOR ALL WALL SUPPORTS. BRACKET SUPPORTS AND MOUNTING FEATURES TO BE FURNISHED BY OTHERS. FITTINGS NOT INCLUDED AND MUST BE ORDERED SEPARATELY. IMPORTANT: Dimensions of fixtures are nominal and may vary within the range of tolerances established by ANSI Standard A112.19.2M. These measurements are subject to change or cancellation. No responsibility is assumed for use of superseded or voided pages.

SPS 25031