

- ❖ 24010-01 - Center Hole Lavatory
- ❖ 24010-03 - 8" Centers Lavatory

- Traditional design
- Fine Fire Clay Construction
- Recessed overflow
- Faucet ledge with integral soap recess

Nominal Dimensions:

28" x 21-3/4" x 36"

(711mm x 552mm x 915mm)

Pedestal Back Open 13-1/2" up from floor

Bowl Inside Dimensions:

20-1/8" (513mm) wide

12-3/8" (314mm) front to back

6-3/8" (162mm) depth

Pedestal Lavatory Colors:



White
001

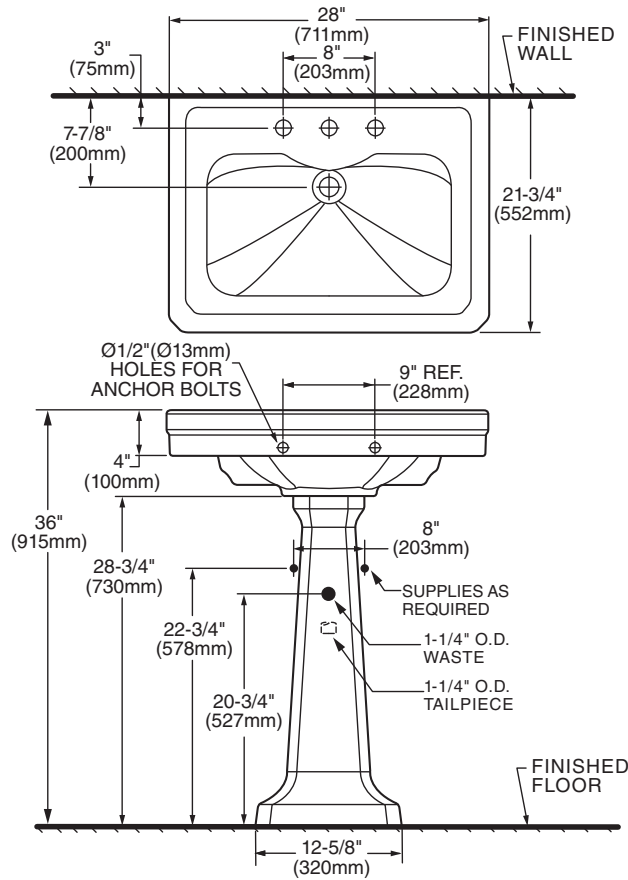
Biscuit
071



Kit Components:

- ❖ 20010-01 28" Lavatory - center hole
- ❖ 20010-03 28" Lavatory - 8" center holes
- ❖ 21010 Pedestal base only

ROUGH IN DIAGRAM SHOWN
ON REVERSE SIDE



NOTES:

DIMENSIONS SHOWN FOR LOCATION OF SUPPLIES AND "P" TRAP ARE SUGGESTED.
 PROVIDE SUITABLE REINFORCEMENT FOR ALL WALL SUPPORTS.
 PEDESTAL ANCHORING SCREWS NOT INCLUDED.
 FITTINGS NOT INCLUDED AND MUST BE ORDERED SEPARATELY.
 INSTALLATION INSTRUCTIONS SUPPLIED WITH LAVATORY.

IMPORTANT: Dimensions of fixtures are nominal and may vary within the range of tolerances established by applicable ASME standards. These measurements are subject to change or cancellation. No responsibility is assumed for use of superseded or voided pages.

To Be Specified:

- Color:
- Faucet:
- Faucet Finish:
- Supplies:
- 1-1/4" Trap:

Compliance Certifications:

- Meets or Exceeds ASME A112.19.2 / CSA B45.1