

# ASSEMBLY & INSTALLATION INSTRUCTIONS



## Porcher Solutions Lavatories

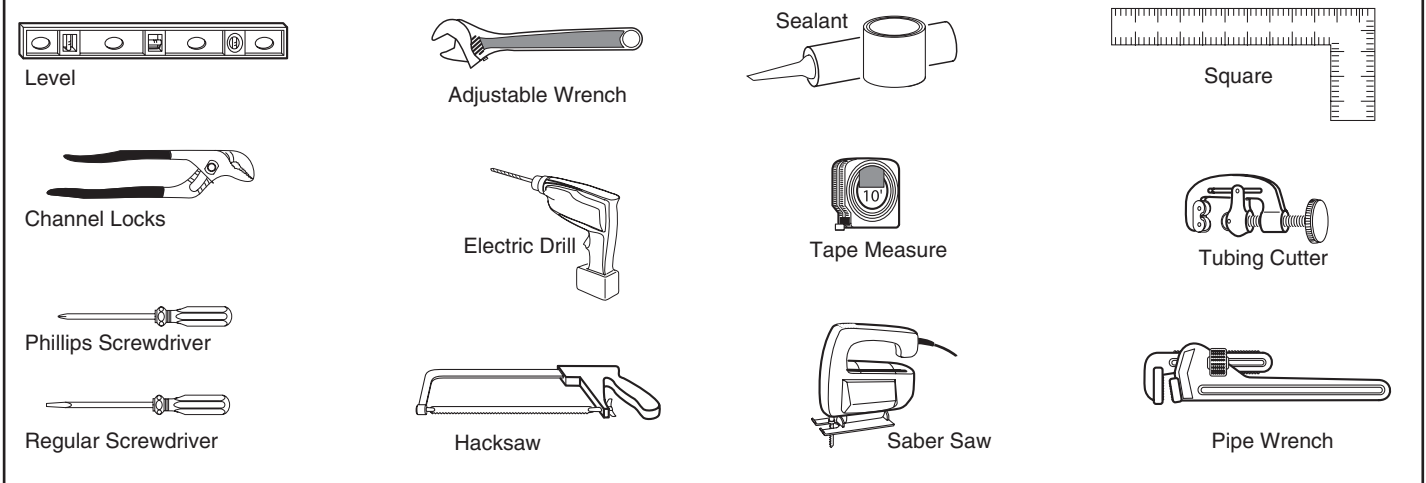
### Semi-Encastre Lavatory 23500

Thank you for selecting our Porcher product. To ensure that your installation proceeds smoothly, read these instructions carefully before you begin. Also, review the recommended tools and materials section. Carefully unpack and examine your new plumbing fixture.

**⚠ CAUTION: CHINA LAVATORIES MAY BE HEAVY AND ARE FRAGILE. USE EXTREME CARE WHEN HANDLING!**  
NOTE: Pictures may not exactly define contour of china and components.

**ALL INSTALLATION PROCEDURES MUST COMPLY IN STRICT ACCORDANCE WITH APPLICABLE LOCAL PLUMBING AND BUILDING CODES**

#### RECOMMENDED TOOLS AND MATERIALS



SAVE FOR FUTURE USE

#### REPLACEMENT USE

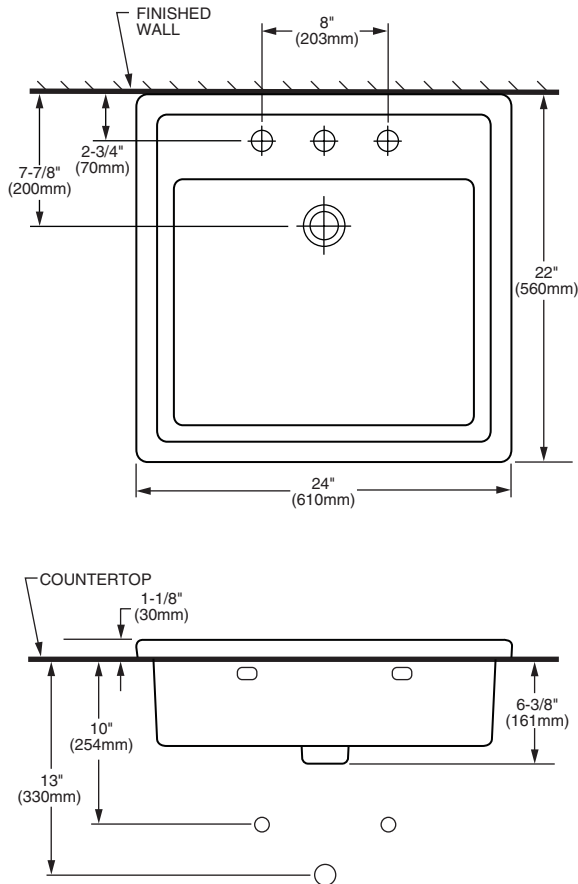
When replacing an original unit be sure to shut off water supply *before* removing the unit or disconnecting water supply lines and drain fittings. Original supply lines and shutoff valves should be replaced and used with fittings and adapters to match the hookups on the replacement unit.

**⚠ USE TEFLON SEALANT TAPE ON PIPE THREADS FOR WATERTIGHT CONNECTIONS!**

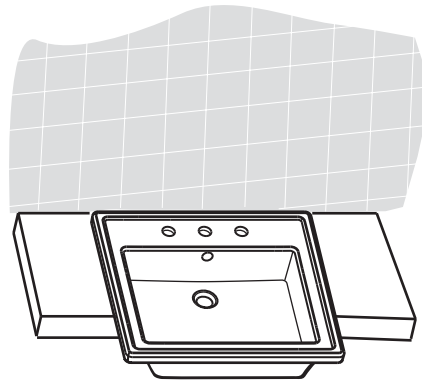
PORCHER SOLUTIONS SEMI-ENCASTRE:	LAVATORY NUMBER	TEMPLATE	MOUNTING KIT 262
Single Hole Lavatory	23500-01.XXX	7301530-400	7301531-100.0070A
Three Holes (8" spread) Lavatory	23500-03.XXX	7301530-400	7301531-100.0070A

## ROUGH-IN DIMENSIONS

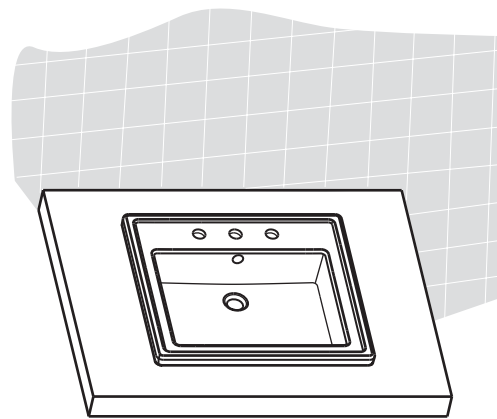
Note: dimensions are nominal and may vary within the range of manufacturing tolerances.



**This lavatory can be installed 2 different ways. Please follow the instructions for your installation method.**

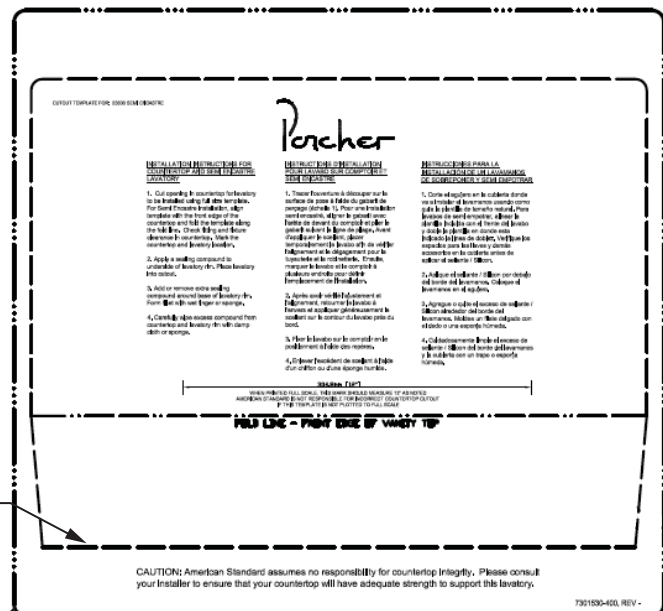


**1. SEMI-ENCASTRE ABOVE COUNTER**



**2. COUNTERTOP DROP-IN**

The template provided with the lavatory includes two different lines for the 2 different openings needed on the counter. The line with smaller area inside is for the semi-encastre installation, the one outside for the above counter installation.



**1 SEMI-ENCASTRE**

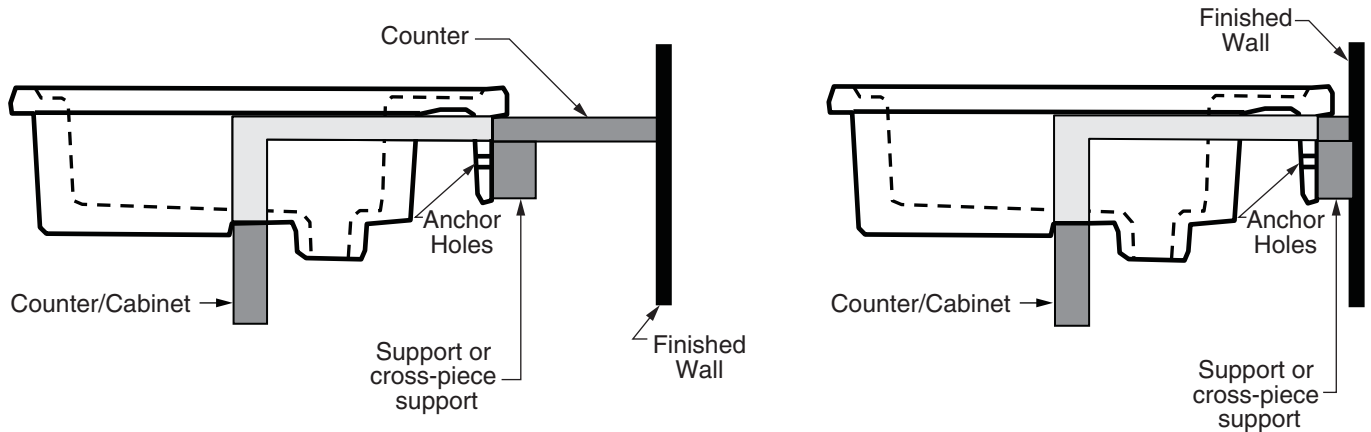
**2 COUNTERTOP**

## 1. SEMI-ENCASTRE INSTRUCTIONS

### 1-A Check installation options below based on length of counter/cabinet:

First option is lavatory fixed to wall through a cross piece support fixed to wall.

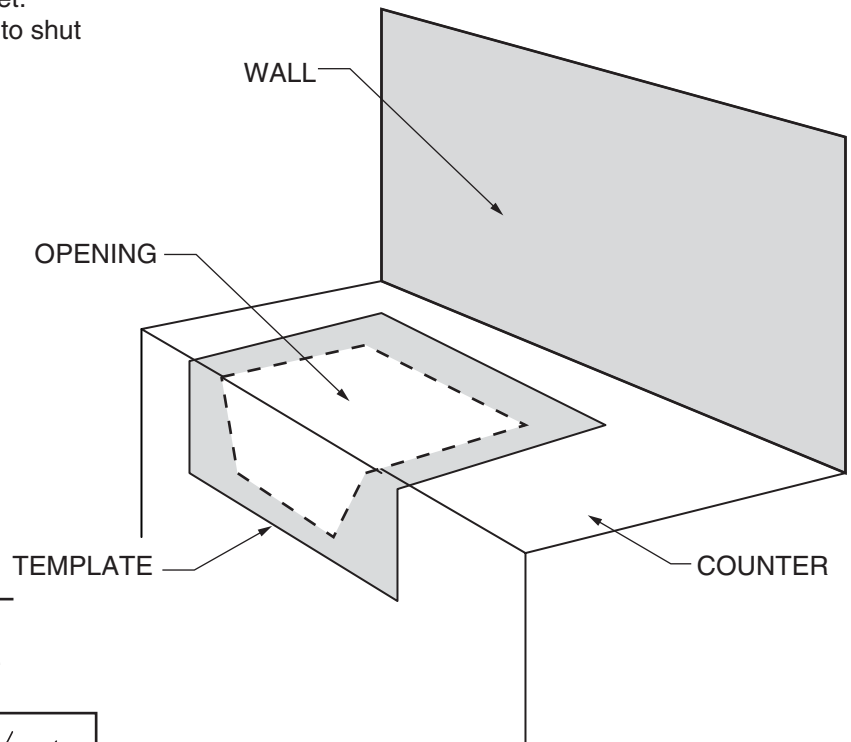
Second option is fixed to an "L" support or cross piece support fixed to counter. (SUPPORTS ARE NOT PROVIDED)



### 1-B Countertop Installation:

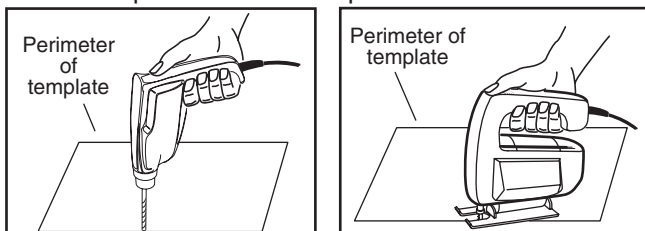
Using the template provided, locate the position of the sink on the countertop. Provide proper clearance under the countertop for the faucet supply lines, drain assembly and the structural parts of the cabinet.

**NOTE:** If replacing an existing sink be certain to shut off water supply before removing old sink.



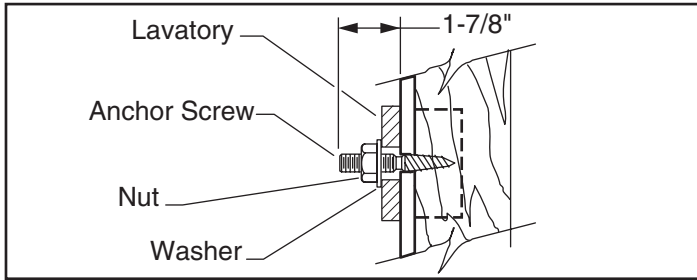
### 1-C

Drill a clearance hole inside the perimeter line of the template for countertop installation.



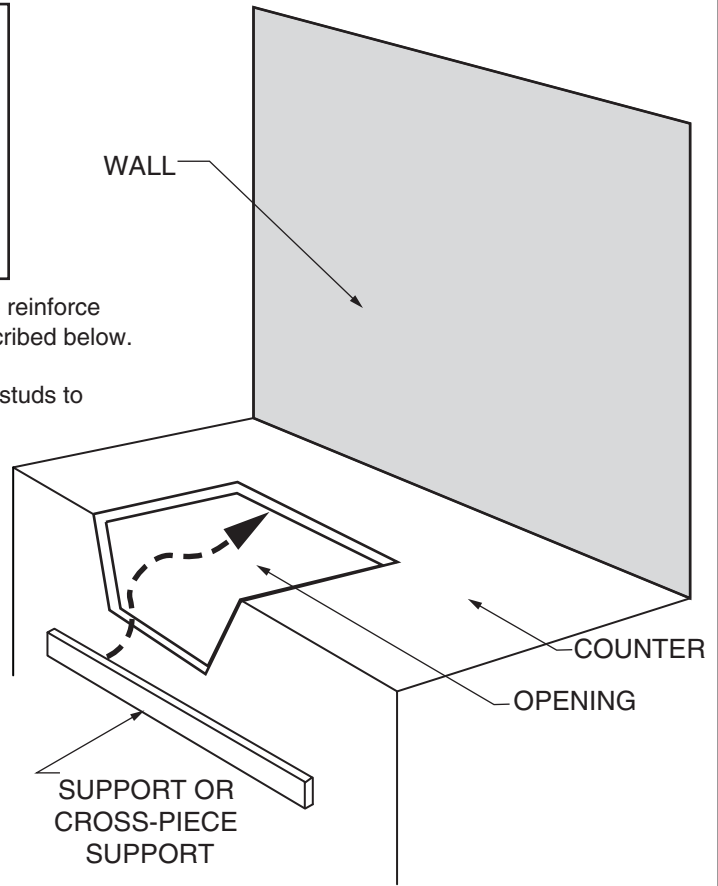
Cut opening around the perimeter of the template.

- 1-D** Place lavatory in place and fix support or L-support (note below for non-masonry installation). Mark fixation locations through fixation holes of lavatory. Remove lavatory and drill fixation holes. Install lavatory anchor screws leaving 1-7/8" threaded end exposed as illustrated.

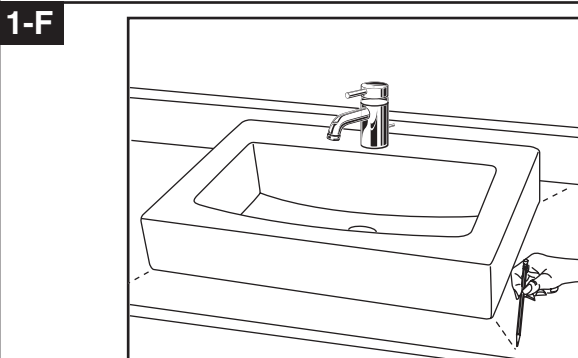
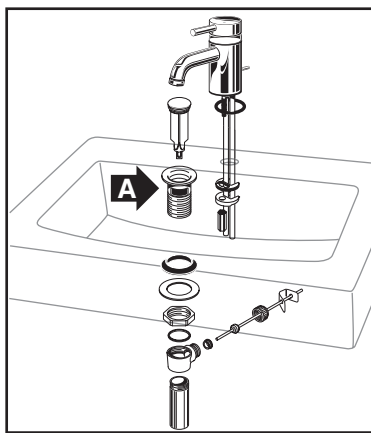


**Optional:** For non-masonry installation, crosspieces must be installed to reinforce the lavatory mounting surface to provide adequate support, install as described below.

1. Remove wallboard/covering from designated area.
2. Toenail 2" x 6" (51mm x 152mm) cross piece between studs (or notch studs to accept a 1" x 6" (25mm x 152mm) crosspiece and attach securely.
3. Replace wallboard/finished wall media.

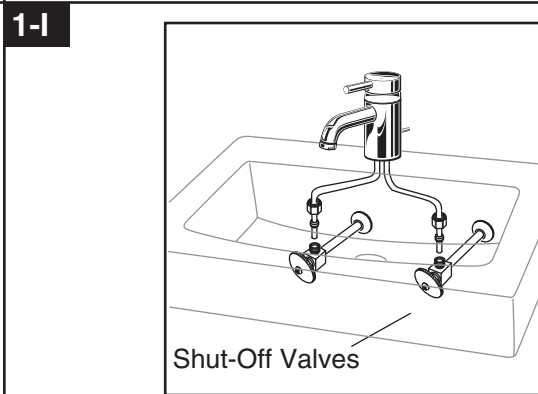


- 1-E**
- Mount the faucet and drain assembly (not included) on the sink following the manufacturer's instructions. Be certain to apply a bead of sealing putty on the underside of the drain (Part "A") in order to ensure a watertight seal between the sink and drain. Remove excess putty after installing drain on sink.



**Countertop Installation:**

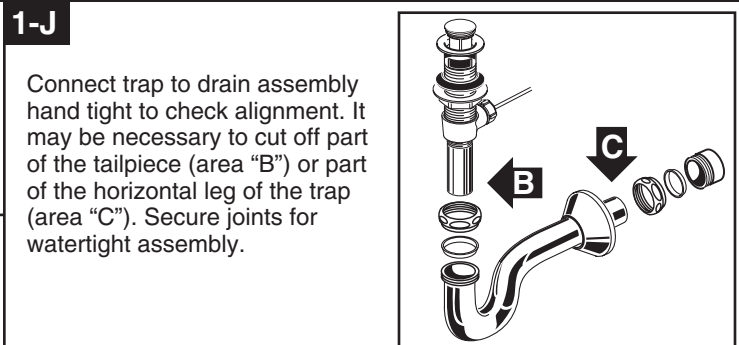
- Place the sink temporarily into the template
- Check for alignment and clearance
- Mark the sink and countertop in several places as a guide for the installation location.



Connect supply line to faucet (finger tight) and carefully bend tubes to engage with the supply shut-off valves. Tighten connections at faucet and shut-off valves for secure seal.

- 1-G**
- After checking fit and alignment, turn sink upside down and apply a generous portion of silicone adhesive around the under side of the rim near the edge. Place sink in position. Wipe off excess adhesive.

- 1-H**
- Use the mounting holes on the rear of the lavatory to secure the sink.



Connect trap to drain assembly hand tight to check alignment. It may be necessary to cut off part of the tailpiece (area "B") or part of the horizontal leg of the trap (area "C"). Secure joints for watertight assembly.

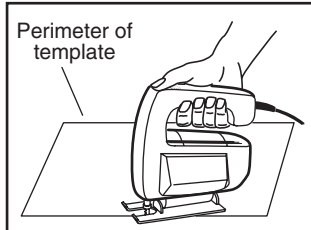
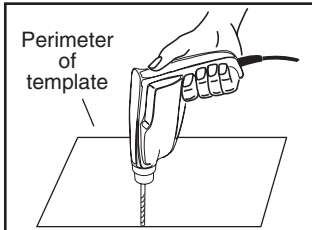
## 2. COUNTERTOP OR DROP-IN INSTRUCTIONS

### 2-A Countertop Installation:

Using the template provided, locate the position of the sink on the countertop. Provide proper clearance under the countertop for the faucet supply lines, drain assembly and the structural parts of the cabinet.

**NOTE:** If replacing an existing sink be certain to shut off water supply before removing old sink.

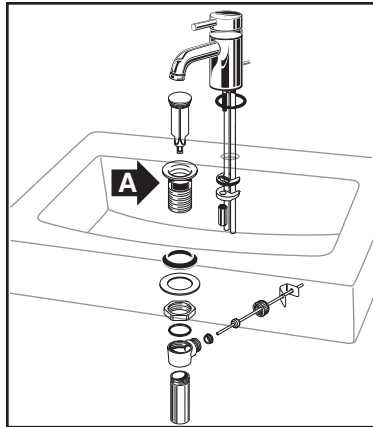
### 2-B Drill a clearance hole inside the perimeter line of the template for countertop installation.



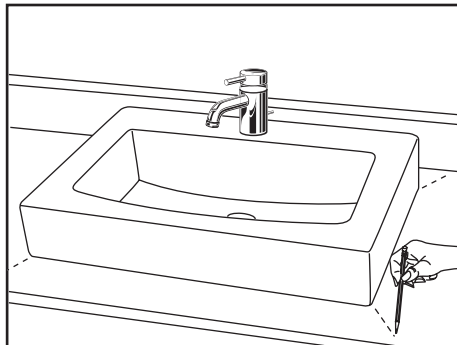
Cut opening around the perimeter of the template.

### 2-C

Mount the faucet and drain assembly (not included) on the sink following the manufacturer's instructions. Be certain to apply a bead of sealing putty on the underside of the drain (Part "A") in order to ensure a watertight seal between the sink and drain. Remove excess putty after installing drain on sink.



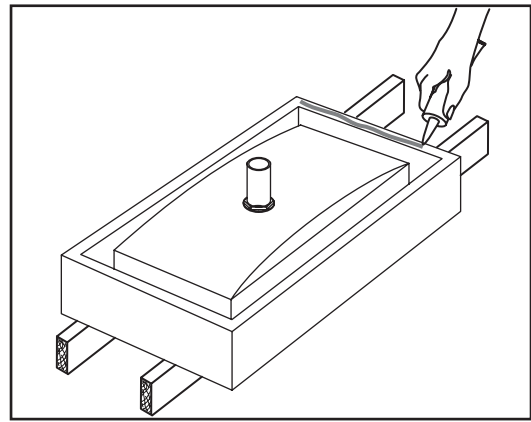
### 2-D



#### Countertop Installation:

- Place the sink temporarily into the template
- Check for alignment and clearance
- Mark the sink and countertop in several places as a guide for the installation location.

### 2-E



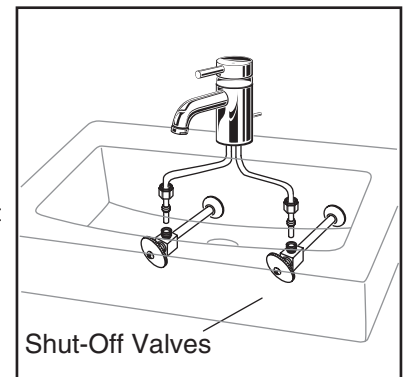
After checking fit and alignment, turn sink upside down and apply a generous portion of silicone adhesive around the under side of the rim near the edge. Place sink in position. Wipe off excess adhesive.

### 2-F

Use the mounting holes on the rear of the lavatory to secure the sink to the wall.

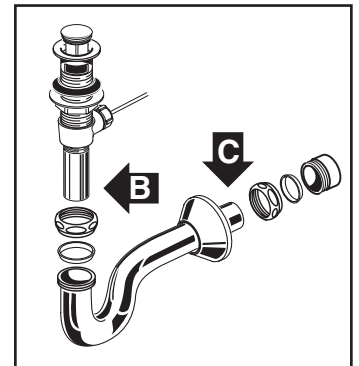
### 2-G

Connect supply line to faucet (finger tight) and carefully bend tubes to engage with the supply shut-off valves. Tighten connections at faucet and shut-off valves for secure seal.



### 2-H

Connect trap to drain assembly hand tight to check alignment. It may be necessary to cut off part of the tailpiece (area "B") or part of the horizontal leg of the trap (area "C"). Secure joints for watertight assembly.



## CARE AND MAINTENANCE

Do not use harsh abrasives or caustic cleaners to clean fixture surfaces. A mild detergent, warm water, and a soft cloth will remove normal dirt and soap accumulations from fittings and surfaces. Rinse thoroughly after cleaning and polish with a soft dry cloth to restore original luster of material.

## PORCHER ONE-YEAR LIMITED WARRANTY

If inspection of this Porcher plumbing product, within one year after its initial purchase, confirms that it is defective in materials or workmanship, Porcher will repair or, at its option, exchange the product for a similar model.

This warranty **does not apply** to local building code compliance. Since local building codes vary considerably, the purchaser of this product should check with a local building or plumbing contractor to insure local code compliance before installation.

This warranty **shall be void** if the product has been moved from its initial place of installation; if it has been subjected to faulty maintenance, abuse, misuse, accident or other damage; if it was not installed in accordance with Porcher's instructions; or if it has been modified in a manner inconsistent with the product as shipped by Porcher.

Porcher's option to repair or exchange the product under this warranty does not cover any labor or other costs of removal or installation, **nor shall Porcher be responsible for any other incidental or consequential damages attributable to a product defect or to the repair or exchange of a defective product, all of which are expressly excluded from this warranty.** (Some states or provinces do not allow the exclusion or limitation of implied warranties, so this exclusion may not apply to you.)

This warranty gives you specific legal rights. You may have other statutory rights that vary from state to state or from province to province, in which case this warranty does not affect such statutory rights.

For service under this warranty, it is suggested that a claim be made through the contractor or dealer from or through whom the product was purchased, or that a service request (including a description of the product model and of the defect) be sent to the following address:

### **In the United States:**

Porcher  
P.O. Box 6820  
Piscataway, New Jersey, 08855  
Attention: Director of Consumer Affairs

For residents of the United States, warranty information may also be obtained by calling the following toll free number: (800) 359-3261

### **In Canada:**

Porcher  
5900 Avebury Ave.  
Mississauga, Ontario  
Canada L5R 3M3

Toronto Area: (905) 306-1093  
Toll Free: (800) 387-0369

### **In Mexico:**

Porcher  
Planta Santa Clara  
Via Morelos #330  
Santa Clara Coatitla  
Ecatepec de Morelos 55540,  
Estado de Mexico, Mexico