

SAVINA PEDESTAL LAVATORY, KIT# 24058

- Traditional Italian design
- Vitreous china
- Faucet holes on 8" centers
- Made in Italy
- Savina 27" lavatory can also be used with Porcher's Savina 27" Vanity
- Made in Italy

Kit Components:

- 20188 Savina 27" Lavatory - 8" center holes
- 21180 Savina Pedestal base only

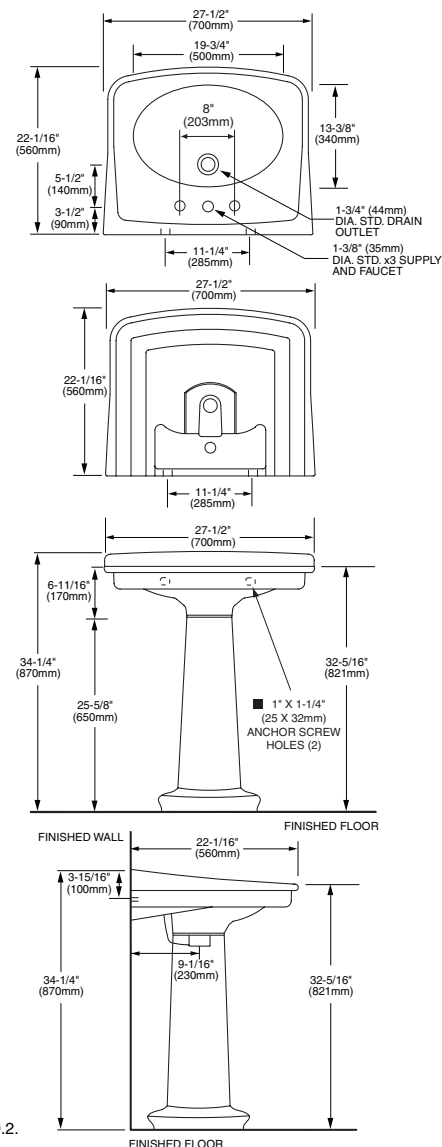
Nominal Dimensions:

27-1/2" x 22-1/16" x 34-1/4"
(700 x 560 x 870mm)

Fixture Dimensions conform to ASME A112.19.2
for Vitreous China Fixtures

To Be Specified

- Color:
- Faucet:
- Faucet Finish:
- Supplies:
- 1-1/4" Trap:
- Nipple:



NOTES:

- ★ DIMENSIONS SHOWN FOR LOCATION OF SUPPLIES AND "P" TRAP ARE SUGGESTED.
- FOR REINFORCEMENT ONLY. TAKE ACTUAL DIMENSIONS FROM FIXTURE.
- SLAB/PEDESTAL ANCHORS AND MOUNTING FEATURES TO BE FURNISHED BY OTHERS.
- PROVIDE SUITABLE REINFORCEMENT FOR ALL WALL SUPPORTS.
- FITTINGS NOT INCLUDED AND MUST BE ORDERED SEPARATELY.
- INSTALLATION INSTRUCTIONS SUPPLIED WITH LAVATORY.

IMPORTANT: Dimensions of fixtures are nominal and may vary within the range "P" tolerances established by ANSI Standard A112.19.2. These measurements are subject to change or cancellation. No responsibility is assumed for use of superseded or voided pages.