

CALLA II CABINET, KIT# 89860 and 89850

- Design-matched to Calla II Suite products
- Inspired by design trends of the late 1930's
- Manufactured from select Maple solids and veneers hand finished for quality
- Front Wood door and bottom pull out shelf open to reveal enhanced storage
- Drawer handles come attached in Chrome. Faucet not included and must be ordered separately.
- Optional Polished and Brushed Nickel handle kits available

Required Kit Components:

- 89290** Cabinet only with chrome handles in Natural Cherry (670) or Wenge (071) finishes
- 20378** Calla II Lavatory slab with 1-3/8" dia. holes on 8" (203mm) centers

Optional Handle Kits:

- 00290-00.008** Polished Nickel (008) Handles (3) kit
- 00290-00.295** Brushed Nickel (295) Handles (3) kit

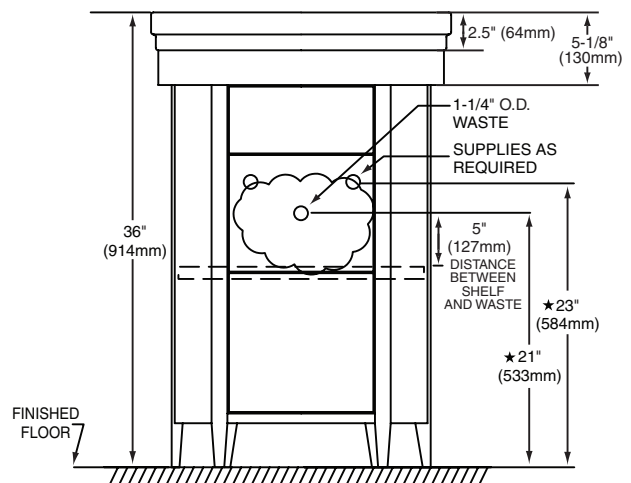
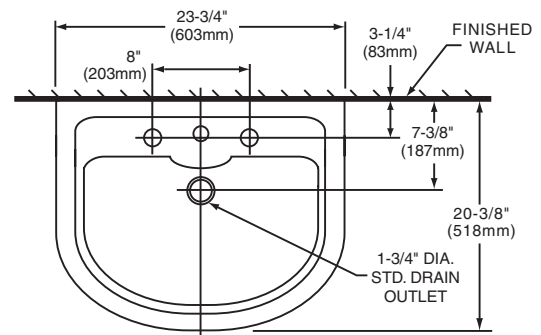
Nominal Dimensions:

23-3/4" x 20-1/8" x 36"
(603 x 511 x 914mm)

Bowl Inside Dimensions:

19-3/8" (492mm) wide
12-1/2" (4318mm) front to back
5-3/4" (146mm) depth

Fixture Dimensions conform to ASME
A112.19.2



NOTES:

- ★ DIMENSIONS SHOWN FOR LOCATION OF SUPPLIES AND "P" TRAP ARE SUGGESTED. PROVIDE SUITABLE REINFORCEMENT FOR ALL WALL SUPPORTS. FITTINGS NOT INCLUDED AND MUST BE ORDERED SEPARATELY. INSTALLATION INSTRUCTIONS SUPPLIED WITH CABINET.

IMPORTANT: Dimensions of fixtures are nominal and may vary within the range of tolerances established by ASME Standard A112.19.2. These measurements are subject to change or cancellation. No responsibility is assumed for use of superseded or voided pages.