

# INSTALLATION INSTRUCTIONS

## CALLA CABINET

Model #89290-00

## CALLA II CABINET KITS

Model #89850-00 and 89860

(Calla II Cabinet Kits consist of Cabinet 89290-00 and Lavatory 20378-00)



### INTRODUCTION

Thank you for selecting our Porcher product. To ensure that your installation proceeds smoothly, read these instructions carefully before you begin. Also, review the recommended tools and materials section. Carefully unpack and examine your new plumbing fixture.

To maintain the beauty of the finish, avoid placing the furniture in direct sunlight, as sunlight causes fading. Also avoid extreme changes in temperature by arranging furniture away from radiators, heat and air vents, and air conditioning units. Avoid placing furniture directly under windows.

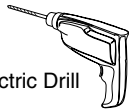
**ALL INSTALLATION PROCEDURES MUST COMPLY IN STRICT ACCORDANCE WITH APPLICABLE LOCAL PLUMBING AND BUILDING CODES**

**⚠ CAUTION: PRODUCT IS FRAGILE. TO AVOID BREAKAGE AND POSSIBLE INJURY HANDLE WITH CARE!**  
NOTE: Pictures may not exactly define contour of china and components.

### Recommended Tools & Materials



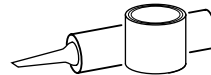
Level



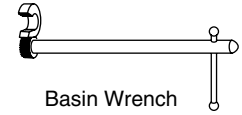
Electric Drill



Tape Measure



Sealant



Basin Wrench



Phillips Screwdriver



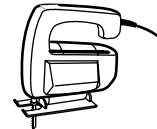
Channel Locks



Tubing Cutter



Pipe Wrench



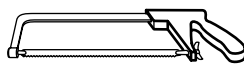
Saber Saw



Regular Screwdriver



Putty Knife



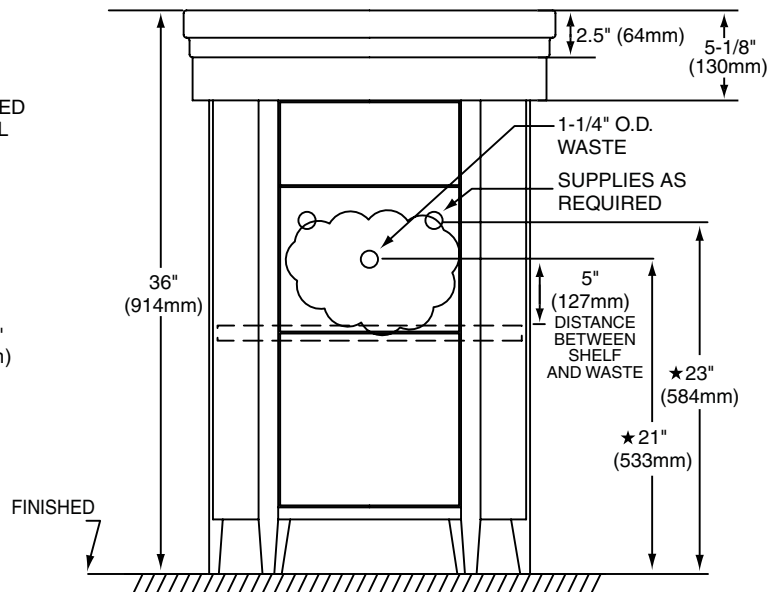
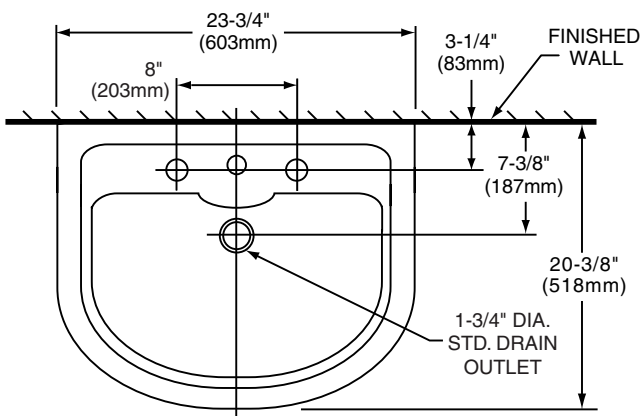
Hacksaw



Adjustable Wrench

### Roughing-in Dimensions

Units: Inches (mm)



**NOTE:** ★ DIMENSIONS SHOWN FOR LOCATION OF SUPPLIES AND "P" TRAP ARE SUGGESTED.

SAVE THESE INSTRUCTIONS

## VANITY INSTALLATION

Suitable reinforcement is required for anchoring the vanity to the wall. Determine horizontal centerline location " \* " of support from fixture. (see Figure 1).

If molding is present, notch the molding to seat the vanity flush against the wall. (See Figure 2).

Rough in supply lines and waste per rough in dimensions (See Page 01).

**NOTE:** If current supply lines are greater than 4" on center, they may interfere with cutout in rear of vanity or vanity shelf.

Move the vanity into desired location and level with the adjustable levellers on the bottom of the Cabinet. The glides can be adjusted outward up to 3/4" but it is recommended not to exceed 1/2" if possible.

Drill using the holes in Metal Bracket as guide onto the wall. Anchor the Cabinet securely to the wall using the metal bracket. (See Figure 2).

Continue with installation for appropriate sink and faucet options chosen.

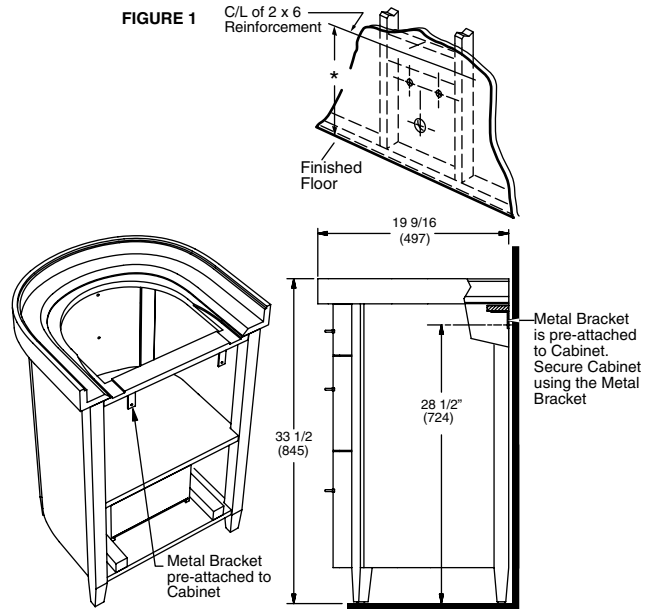


FIGURE 2 | Units: Inches (mm)

## Care and Cleaning

Clean the product by using a soft, slightly damp cloth. Buff the product by using a soft dry cloth. When cleaning the mirror, spray the mirror with a glass cleaner and wipe clean. Avoid using silicone cleaners and waxes.

Clean up excess water and spills immediately. Use a blotting rather than a wiping action. Water left over a long period of time will cause white spots in the finish.

**NOTE:** Please note that some chemicals may damage the finish. Take care to avoid the following: iodine, hair dye, shaving cream, after shave lotion, alcohol, perfume, Lestoil®, Lysol Tub and Tile Cleaner®, Lysol Spray Disinfectant®, Dow Disinfectant®, acetone, paint remover, Formula 409®, Tile-X®, and Nair®.

## PORCHER WOOD FURNITURE WARRANTY

If inspection of this Porcher plumbing product, within one year after its initial purchase, confirms that it is defective in materials or workmanship, Porcher will repair or, at its option, exchange the product for a similar model. Variations in actual wood color and finishes which may result from natural characteristics of the wood, such as grain patterns, mineral streaks and the like, are not defects and are not covered by this warranty.

This limited warranty applies only to the original purchaser and installation of these products. In the event of a claim, proof of purchase will be required; save your receipt.

This limited warranty does not apply to local building code compliance. Since local building codes vary considerably, the purchaser of this product should check with a local building or plumbing contractor to insure local code compliance before installation.

This limited warranty shall be void if the product has been moved from its initial place of installation; if it has been subjected to faulty maintenance, abuse, misuse, accident or other damages; if it was not installed in accordance with Porcher's instructions; or if it has been modified in a manner inconsistent with the product as shipped by Porcher.

Porcher's option to repair or exchange the product under this limited warranty does not cover any labor or other costs of removal or installation, nor shall Porcher be responsible for any other incidental or consequential damages attributable to a product defect or to the repair or exchange of a defective product, all of which are expressly excluded from this limited warranty. This limited warranty does not cover any liability for consequential or incidental damages, all of which are hereby expressly disclaimed, or the extension beyond the duration of this limited warranty of any implied limited warranties, including those of merchantability or fitness for an intended purpose. (Some states or provinces do not allow the exclusion or limitation of implied limited warranties, so this exclusion may not apply to you).

This limited warranty gives you specific legal rights. You may have other statutory rights that vary from state to state or province to province, in which case this limited warranty does not affect such statutory rights.

### **In the United States:**

Porcher Inc.  
P.O. Box 6820  
Piscataway, New Jersey 08855  
Attention: Customer Care  
For residents of the United States,  
warranty information may also be  
obtained by calling the following  
toll free number: (800) 359-3261  
[www.porcher-us.com](http://www.porcher-us.com)

### **In Canada:**

Porcher  
2480 Stanfield Rd.  
Mississauga, Ontario  
Canada L4Y 1S2  
  
Toll Free: (800) 387-0369

### **In Mexico:**

Porcher  
Planta Santa Clara  
Via Morelos #330  
Santa Clara Coatitla  
de Morelos 55540  
Estado de Mexico, Mexico