

Please go to [www.quoizel.com](http://www.quoizel.com) for product cleaning tips. Go to the **Care + Maintenance** selection.

**Tools Required:** Flathead screwdriver, Phillips screwdriver, pliers, wire cutters, wire strippers, electrical tape, safety glasses.

**Light Source:** (5) G9 Xenon Clear bulb (Supplied), 60W Maximum.

**Estimated Assembly Time:** 20-30 minutes

**Preparation:** Identify and inspect all parts before beginning installation. Check package content list and diagrams below to be sure all parts are present. If any parts are missing or damaged, do not attempt to assemble, install, or operate the fixture. Contact customer service for replacement parts.

**⚠ Warnings and Cautions**

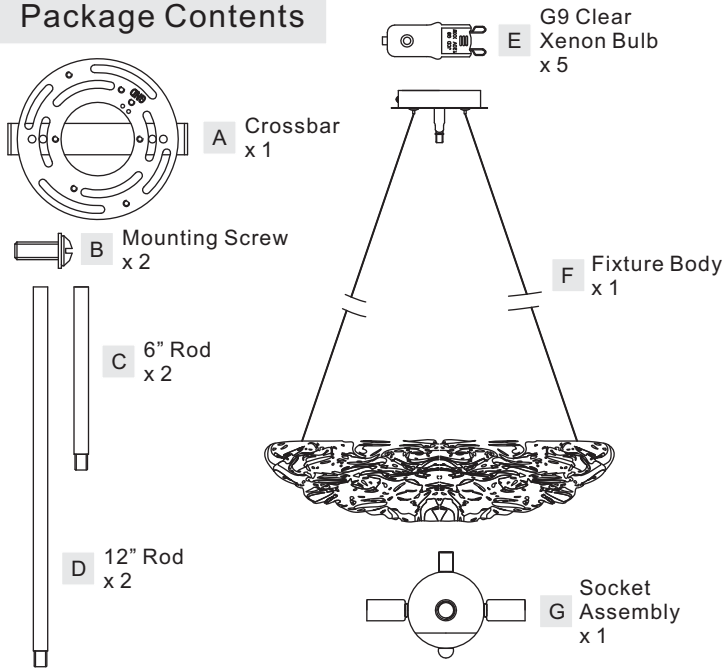
Turn off electricity at circuit breaker or main fuse box before installation. Consult a licensed electrician if in doubt.

These instructions are provided for your safety. It is very important you read them completely before installing the fixture. We strongly recommend that a licensed, professional electrician perform the installation.

Disconnect fixture from power source before replacing bulbs. Make sure bulbs are given sufficient time to cool before removal. Do not subject glass parts to any shock while in operation or shattering may result.

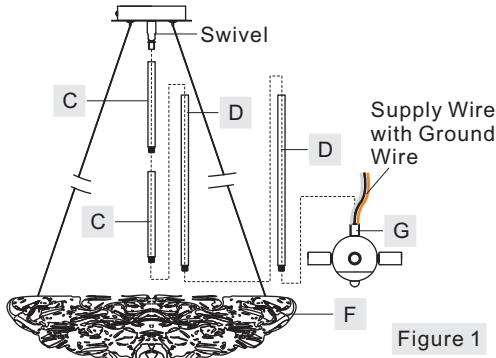
Do not touch the bulb with bare hands use a cloth or glove.

**Package Contents**



**STEP 1 – Assemble the Rods, Fixture Body and the Socket Assembly**

A. Determine the Rods (C/D) to be assembled to the Socket Assembly (G) and the Fixture Body (F) according to your hanging height.



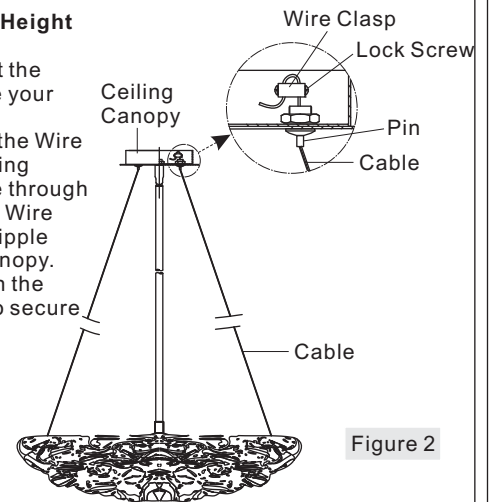
B. Pass the supply wires and ground wire through the chosen rods (C/D) and the Swivel on the Fixture Body (F). Thread the Socket Assembly (G), the chosen Rods (C/D) and the Fixture Body (F) together. Hand tighten until snug.

**(Step 1 Continued)**

Suggested rods for Ceiling height :  
8' ceiling : use (1) 6" rod and (2) 12" rods  
9' ceiling : use (2) 6" rods and (2) 12" rods

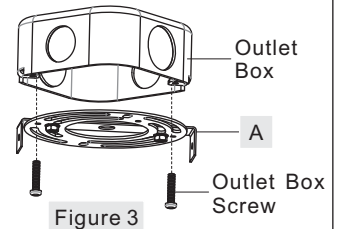
**STEP 2 – Adjust Fixture Height**

A. Push the Pin and adjust the Cable length to achieve your desired fixture height.  
B. Loose Lock Screws on the Wire Clasp inside of the Ceiling Canopy. Pass the cable through the Wire Clasp until the Wire Clasp is closed to the nipple inside of the Ceiling Canopy. Tighten Lock Screws on the Wire Clasp until snug to secure the Cable.



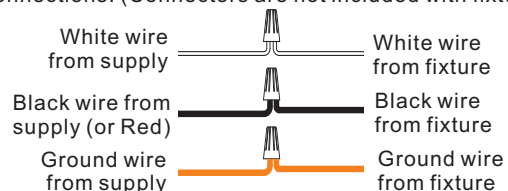
**STEP 3 – Attach Crossbar to Outlet Box**

A. Attach the Crossbar (A) to Outlet Box and secure by threading Outlet Box Screws (not supplied) into the Mounting Holes on the Outlet Box. Tighten until snug.



**STEP 4 - Wire Connections**

A. Use standard wire connectors (not included) to make all wire connections. (Connectors are not included with fixture.) Twist



**Thank you for purchasing a Quoizel product.**  
**Need assistance with parts or assembly? Call Quoizel customer service at 1-631-273-2700**  
**or visit us on-line at [www.quoizel.com](http://www.quoizel.com)**

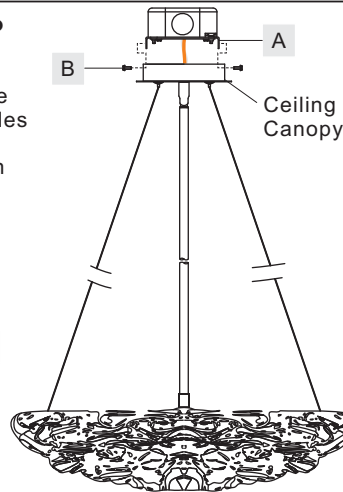
**(Step 4 Continued)**

connectors until wires are tightly joined together. Wrap each connection with approved electrical tape and carefully stuff all the connected wires into the Outlet Box.

**STEP 5 – Attach Ceiling Canopy to Crossbar**

A. Line up the holes on the side of the ceiling canopy to the mounting holes on the Crossbar (A). Secure them with Mounting Screws (B). Tighten until snug.

Figure 5



**STEP 6 – Install Bulbs**

A. This fixture uses G9 Xenon clear bulb (E). Maximum 60 watts. Insert bulb and push snugly into place.

**IMPORTANT:** Do not touch the bulb with bare hands use a cloth or glove.

Your fixture is now assembled and ready to use. Enjoy!

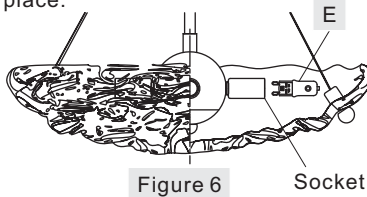


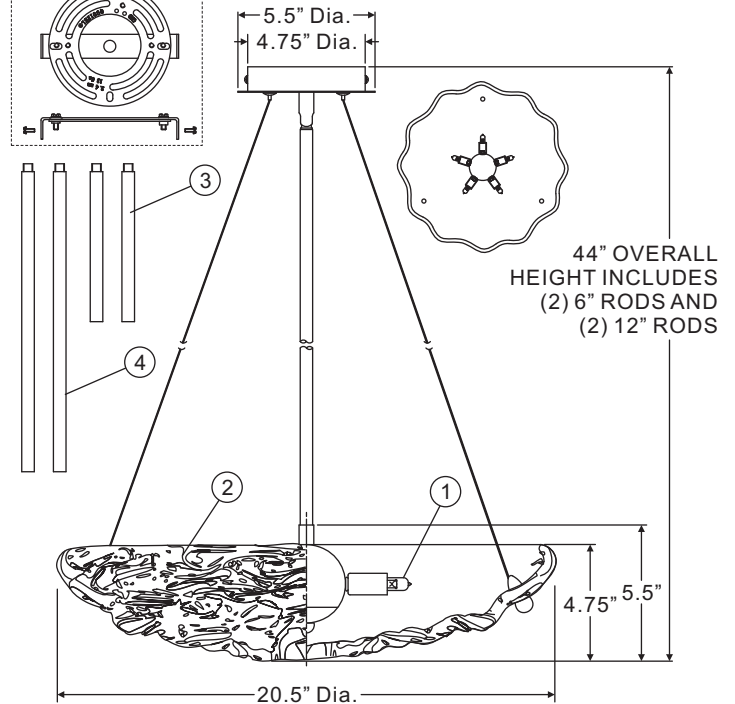
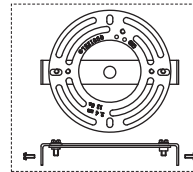
Figure 6

**CAUTION FOR BULB REPLACING**

- A. When replace bulb, turn off power and allow lamp to cool. For safety purpose, wear gloves and eye protection.
- B. If bulb is scratched or cracked, DO NOT use the lamp to avoid breakage during use or installation.
- C. Use only in fixtures rated for lamps wattage and voltage.
- D. Prevent the bulb from contacting liquid or combustible materials.

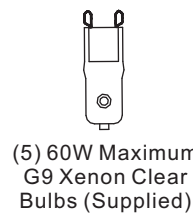
PCVN2820C

FINISH: POLISHED CHROME



44" OVERALL HEIGHT INCLUDES (2) 6" RODS AND (2) 12" RODS

NOTE: ALL DIMENSIONS ARE ROUNDED UP TO THE NEAREST 1/4"



(5) 60W Maximum G9 Xenon Clear Bulbs (Supplied)

NO.	PART NUMBER	REPLACEMENT PART	QTY.
1	I1205SC	G9 CLEAR XENON BULB	5
2	G12115SH	SHADE	1
3	9006EXC	6" ROD	2
4	9012EXC	12" ROD	2

Thank you for purchasing a Quoizel product.  
Need assistance with parts or assembly? Call Quoizel customer service at 1-631-273-2700 or visit us on-line at [www.quoizel.com](http://www.quoizel.com)