

Please go to www.quoizel.com for product cleaning tips. Go to the **Care + Maintenance** selection.

Tools Required: Flathead screwdriver, Phillips screwdriver, pliers, wire cutters, wire strippers, electrical tape, safety glasses.

Light Source: (4) G9 Xenon Clear bulb (Supplied), 60W Maximum.

Estimated Assembly Time: 20-30 minutes

Preparation: Identify and inspect all parts before beginning installation. Check package content list and diagrams below to be sure all parts are present. If any parts are missing or damaged, do not attempt to assemble, install, or operate the fixture. Contact customer service for replacement parts.

⚠ Warnings and Cautions

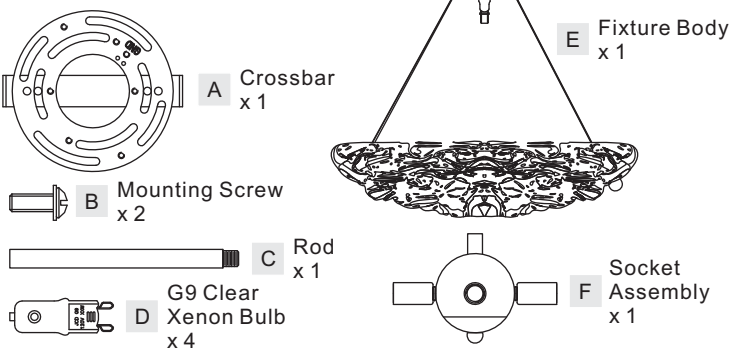
Turn off electricity at circuit breaker or main fuse box before installation. Consult a licensed electrician if in doubt.

These instructions are provided for your safety. It is very important you read them completely before installing the fixture. We strongly recommend that a licensed, professional electrician perform the installation.

Disconnect fixture from power source before replacing bulbs. Make sure bulbs are given sufficient time to cool before removal. Do not subject glass parts to any shock while in operation or shattering may result.

Do not touch the bulb with bare hands use a cloth or glove.

Package Contents



(Step 3 Continued)

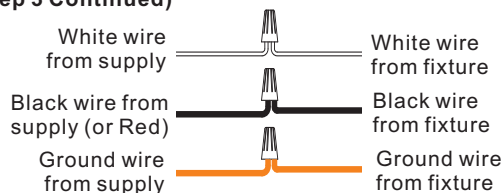


Figure 3

STEP 4 – Attach Ceiling Canopy to Crossbar

A. Line up the holes on the side of the ceiling canopy to the mounting holes on the Crossbar (A). Secure them with Mounting Screws (B). Tighten until snug.

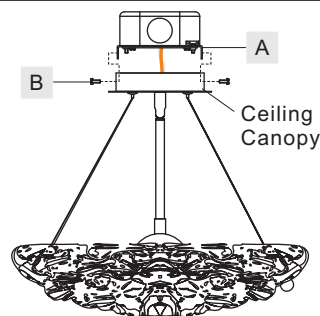


Figure 4

STEP 1 – Assemble Socket Assembly

A. Pass the supply wires with ground wire through the Rod (C) and the Swivel on the Fixture Body (E). Thread the Swivel on the Fixture Body (E), the Rod (C) and the Socket Assembly (F) together and hand tighten until snug.

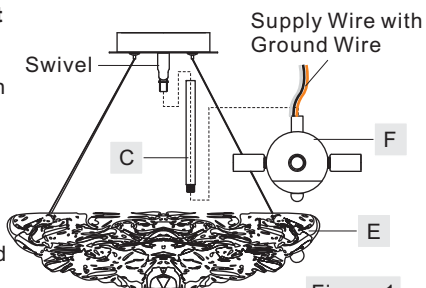


Figure 1

STEP 5 – Install Bulbs

A. This fixture uses G9 Xenon clear bulb (D). Maximum 60 watts. Insert bulb and push snugly into place.

IMPORTANT: Do not touch the bulb with bare hands use a cloth or glove.

Your fixture is now assembled and ready to use. Enjoy!

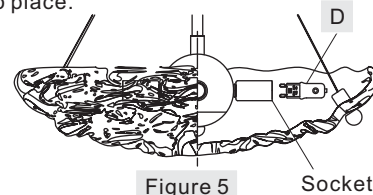


Figure 5

STEP 2 – Attach Crossbar to Outlet Box

A. Attach the Crossbar (A) to Outlet Box and secure by threading Outlet Box Screws (not supplied) into the Mounting Holes on the Outlet Box. Tighten until snug.

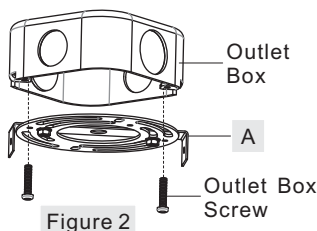


Figure 2

STEP 3 - Wire Connections

A. Use standard wire connectors (not included) to make all wire connections. (Connectors are not included with fixture.) Twist connectors until wires are tightly joined together. Wrap each connection with approved electrical tape and carefully stuff all the connected wires into the Outlet Box.

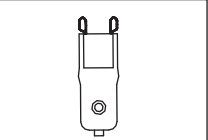
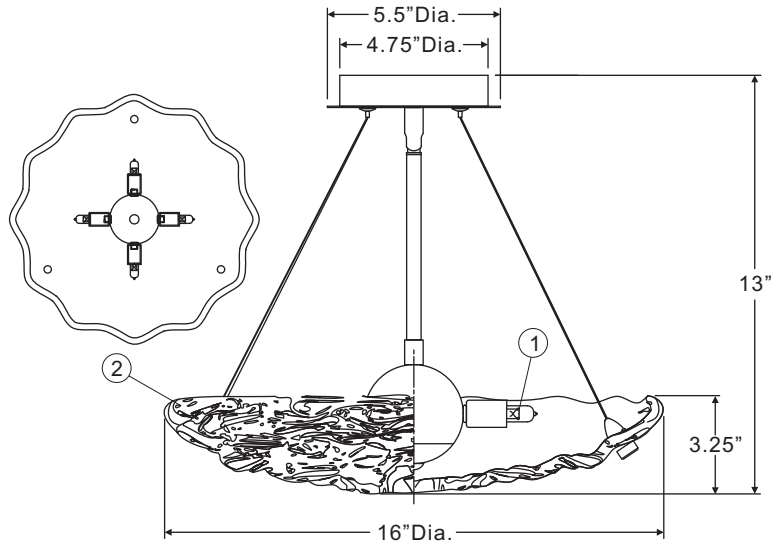
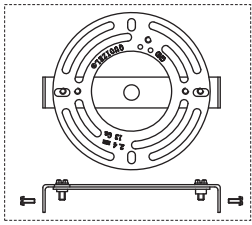
CAUTION FOR BULB REPLACING

- A. When replace bulb, turn off power and allow lamp to cool. For safety purpose, wear gloves and eye protection.
- B. If bulb is scratched or cracked, DO NOT use the lamp to avoid breakage during use or installation.
- C. Use only in fixtures rated for lamps wattage and voltage.
- D. Lamp operate under high pressure generating intense heat. Prevent contact with liquid and combustible materials.

Thank you for purchasing a Quoizel product.
Need assistance with parts or assembly? Call Quoizel customer service at 1-631-273-2700
or visit us on-line at www.quoizel.com

PCVN1716C

FINISH: POLISHED CHROME



(4) 60W Maximum
G9 Xenon Clear
Bulbs (Supplied)

NOTE: ALL DIMENSIONS ARE ROUNDED UP TO THE NEAREST 1/4"

| NO. | PART NUMBER | REPLACEMENT PART DESCRIPTION | QTY. |
|-----|-------------|------------------------------|------|
| 1 | I1205SC | G9 CLEAR XENON BULB | 4 |
| 2 | G12114SH | SHADE | 1 |

Thank you for purchasing a Quoizel product.
Need assistance with parts or assembly? Call Quoizel customer service at 1-631-273-2700
or visit us on-line at www.quoise.com