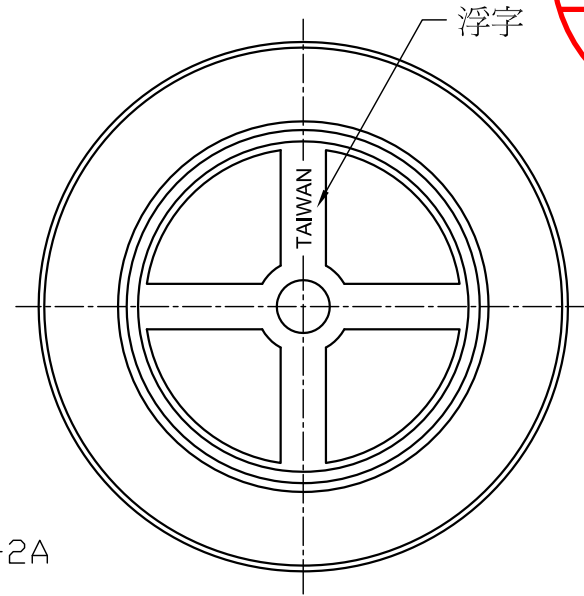
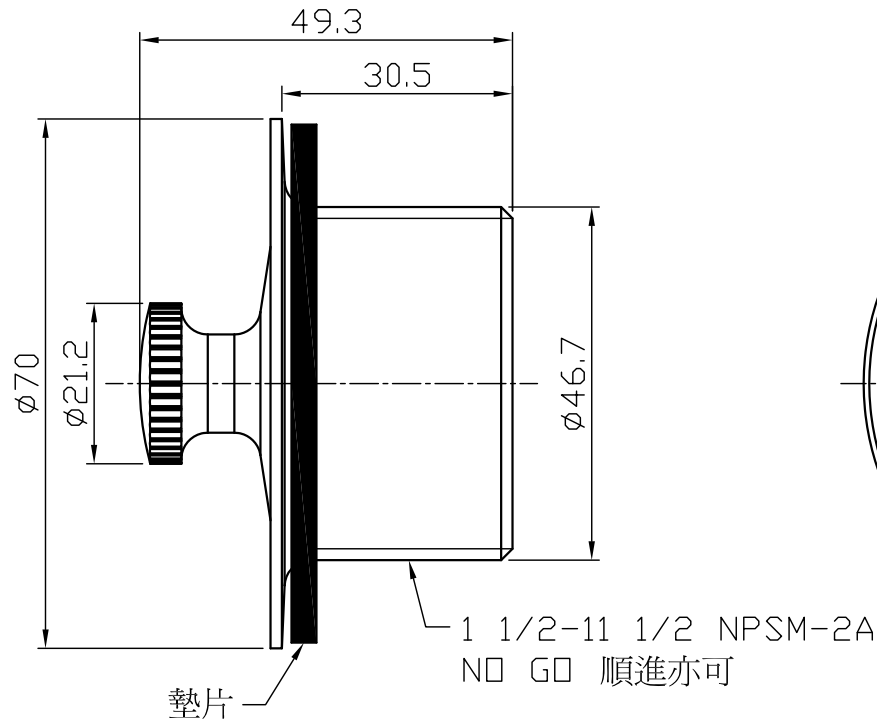


淨重	製程
167g	市購品

正式圖



DATE	CHANGES	TOLERANCE	FINISH	PART NAME	DATE
		1-4 ±0.075		X-6400030 901222 BATH STRAINERS LIFT & LOCK-PC	03/05/14
		4-63 ±0.15	SCALE 1:1	FIG. NO. PIONEER	DR. BY 蔡佩珈
		63-250 ±0.3	EDITION 01	MAT'l.	CHK'D. BY 許錫教
		250-1000 ±0.5	CRESCENT PLUMBING, INC 昆鑫有限公司		PART NO. D-X-6400030
		1000-1500 ±1.0			
		ANGULAR : ±1°			