

**Highlights**

- Pforever Warranty®
- WaterSense & Lead-Free Compliant
- Ceramic Disc Valves

**Code Compliance**

Price Pfister products are designed and manufactured in compliance with the following standards and codes:

- IAPMO certified
- ASME A112.18.1
- CSA B125 certified
- ANSI A117.1 (Lever handles only)

## 42 Series

### Park Avenue™

**Single Control Lavatory Faucet**

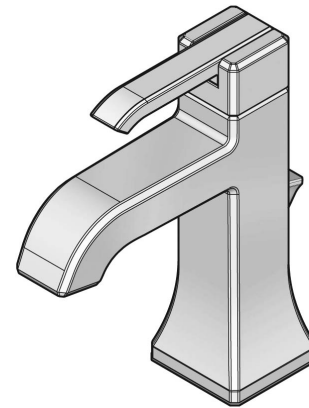
Lever Handle

1 or 3-Hole Installation

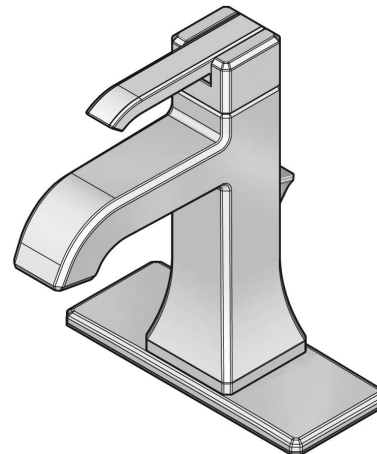
Ceramic Disc Valve

<b>Finishes</b>	GT42-FE0C	GT42-FE0D	GT42-FE0K	GT42-FE0Y
Tuscan Bronze				X
Polished Chrome	X			
Brushed Nickel			X	
Polished Nickel		X		

<b>Features</b>	GT42-FE0C	GT42-FE0D	GT42-FE0K	GT42-FE0Y
WaterSense & Lead-Free Compliant	X	X	X	X
1.5 GPM Flow Rate	X	X	X	X
Lever Handle	X	X	X	X
1 or 3-Hole Installation; Deck Plate or Single Hole Mounting Option	X	X	X	X
Pforever Warranty®	X	X	X	X



- GT42-FE0C
- GT42-FE0D
- GT42-FE0K
- GT42-FE0Y



For additional information, please contact your Price Pfister representative, or visit our website at [www.pricepfister.com](http://www.pricepfister.com).

**Project:** \_\_\_\_\_

**Contractor:** \_\_\_\_\_

SS-042-FE-1

**1-800-PFAUCET** [www.pricepfister.com](http://www.pricepfister.com)  
 19701 DaVinci, Lake Forest, CA 92610  
 02/18/11

