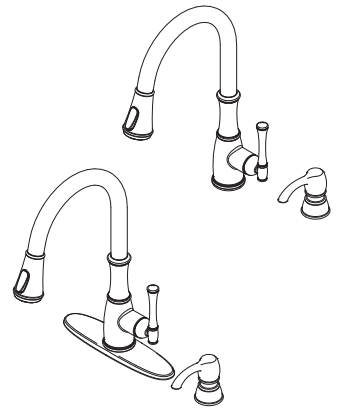


F529-7WHS Finish(SS)

F529-7WHY Finish(YY)



## Specifications

### Features

- 2 Function Pull-Down Sprayer
- AccuDock Spray Head Docking
- High Arc Spout
- 360° Rotating Spout
- Mounting Hardware Included
- Nylon Flex-Line Supply Lines
- Soap Dispenser Included
- PVD Finish
- EZ Clean™
- Quick Install Tool
- Pforever Seal Ceramic Disc Valve
- Pforever Warranty®

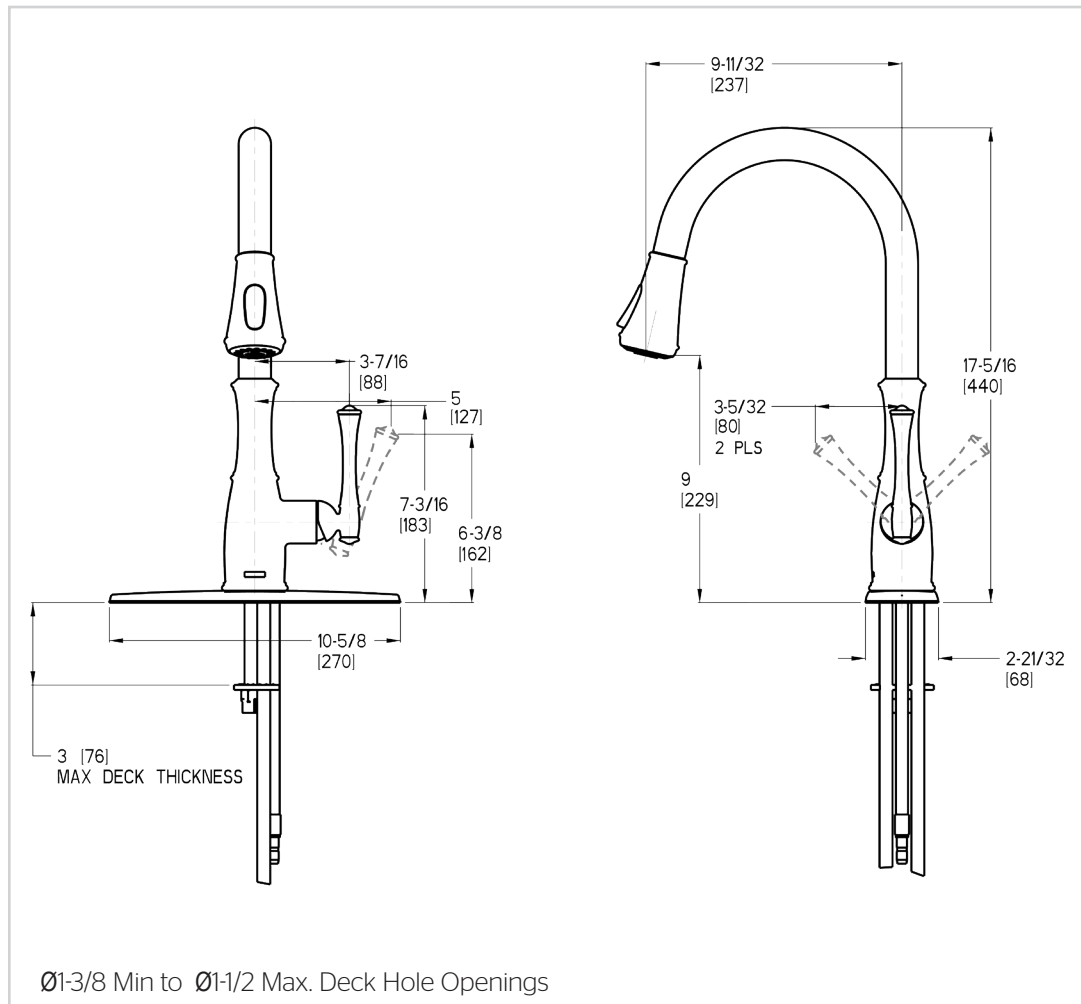
### Code Compliance

Pfister products are designed and manufactured in compliance with the following standards and codes:

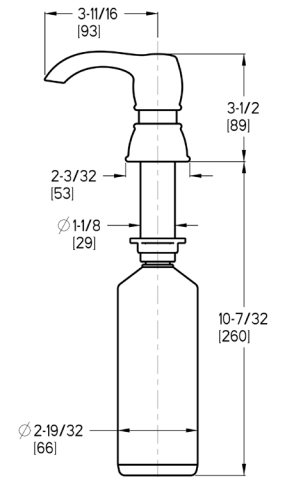
- IAPMO Certified
- CSA B125 Certified
- ASME A112.18.1
- NSF 61/9 Annex G (Low lead)
- Cal Green Compliant
- ADA Compliant-ANSI A117.1 (Lever handles only)



## Dimensions



### Top Filling Soap Dispenser



### 36 Inch Supply Lines with 3/8 Female Compression Brass Connections

