

- | | | | |
|--|--|--|--|
| R89-1TBC Finish(C) <input type="checkbox"/> | R89-1TBK Finish(K) <input type="checkbox"/> | LG89-7TBK Finish(K) <input type="checkbox"/> | LG89-8TBK Finish(K) <input type="checkbox"/> |
| R89-1TBD Finish(D) <input type="checkbox"/> | R89-1TBY Finish(Y) <input type="checkbox"/> | LG89-7TBY Finish(Y) <input type="checkbox"/> | LG89-8TBY Finish(Y) <input type="checkbox"/> |
| LG89-7TBC Finish(C) <input type="checkbox"/> | LG89-8TBC Finish(C) <input type="checkbox"/> | LG89-7TBD Finish(D) <input type="checkbox"/> | LG89-8TBD Finish(D) <input type="checkbox"/> |

Specifications

- SecurePfit™
- Trim Only, Valve Not Included

Features

- 1.8 GPM Flow Rate (Showerhead)
- All Metal Construction
- SecurePfit™
- Brass Ball Joints
- Fits OX8 Valve Bodies
- Raincan Showerhead
- Shower Only (7TB Only)
- Tub & Shower (8TB Only)
- Trim Only, Valve Not Included
- EZ Clean™
- Pforever Warranty®

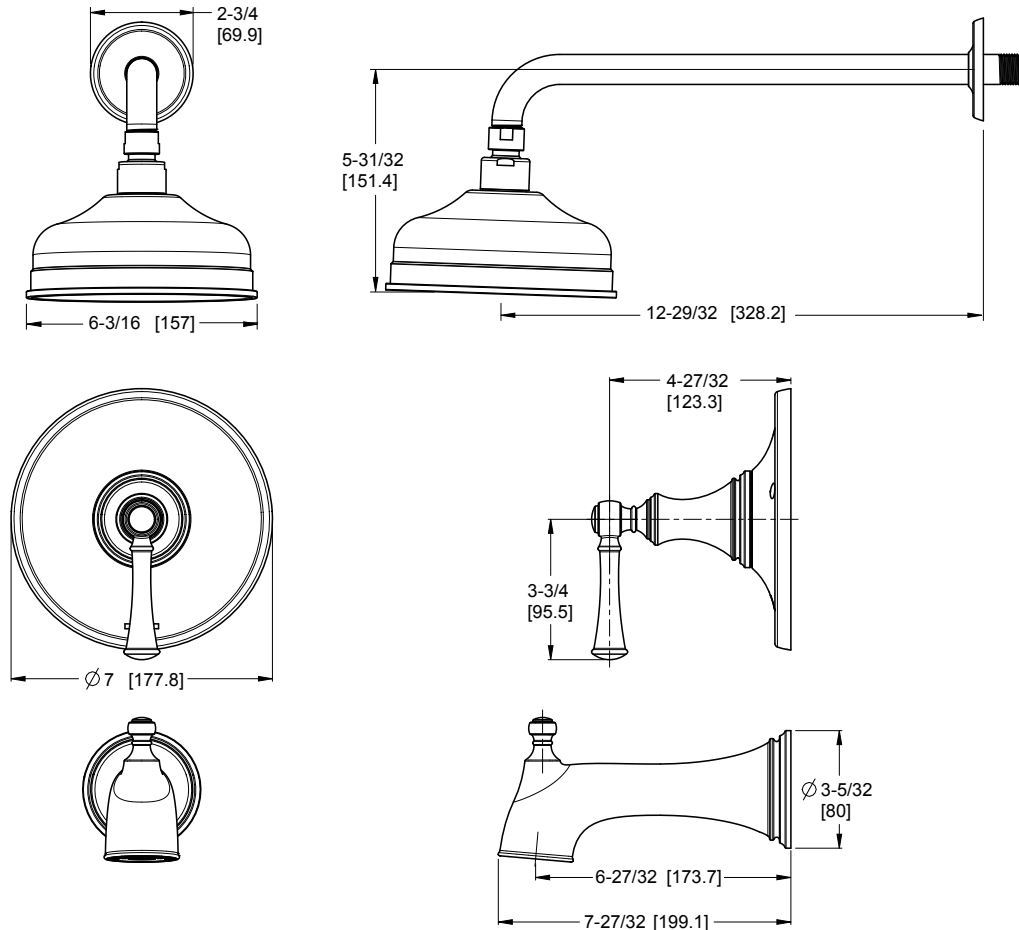
Code Compliance

Pfister products are designed and manufactured in compliance with the following standards and codes:

- IAPMO Certified
- CSA B125 Certified
- ASME A112.18.1
- CEC Compliant
- Cal Green Compliant
- ADA Compliant-ANSI A117.1 (Lever handles only)

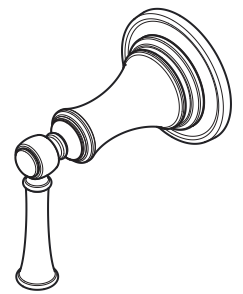


Dimensions



Tisbury™ Diverter Trim

- 016-TB1C Finish(C)
- 016-TB1D Finish(D)
- 016-TB1K Finish(K)
- 016-TB1Y Finish(Y)



Specifications

Features

- All Metal Construction
- SecurePfit™
- Pforever Warranty®

- All Metal Construction

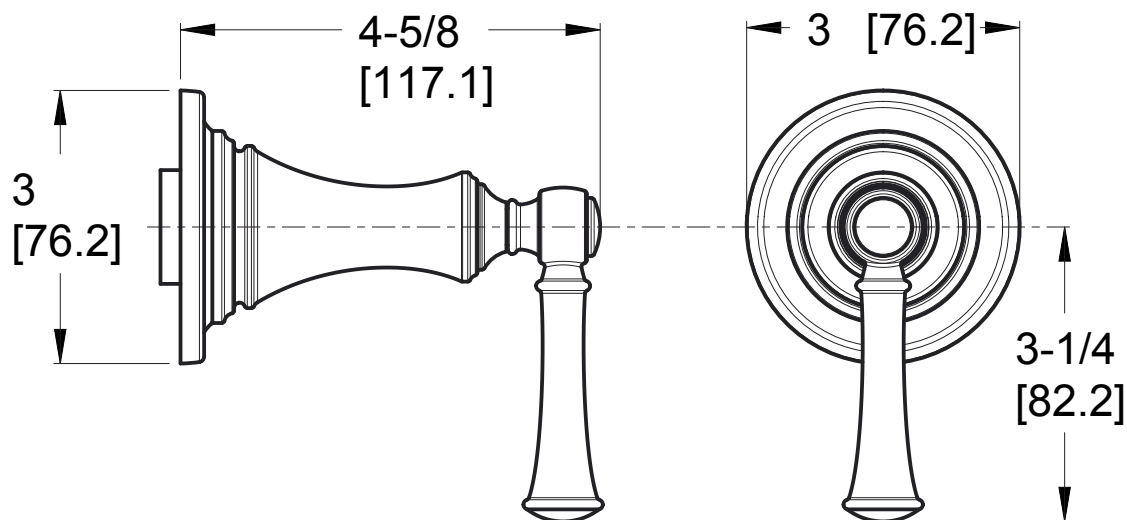
Code Compliance

Pfister products are designed and manufactured in compliance with the following standards and codes:

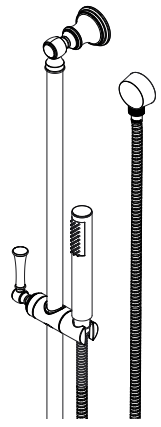
- IAPMO Certified
- CSA B125 Certified
- ASME A112.18.1
- ADA Compliant-ANSI A117.1 (Lever handles only)



Dimensions



- LG16-3TBC Finish(C)
- LG16-3TBD Finish(D)
- LG16-3TBK Finish(K)
- LG16-3TBY Finish(Y)



Specifications

Features

- 1.8 GPM Flow Rate
- 60" Metal Hose
- All Metal Handshower
- Adjustable Height
- EZ Clean™
- Pforever Warranty®

Code Compliance

Pfister products are designed and manufactured in compliance with the following standards and codes:

- IAPMO Certified
- CSA B125 Certified
- ASME A112.18.1
- Cal Green Compliant
- CEC Compliant
- EPA WaterSense Certification 1.8 gpm, 6.8 L/Min
- ADA Compliant-ANSI A117.1 (Lever handles only)



Dimensions

