

- R89-1RHC Finish(C) R89-1RHB Finish(B) LG89-7RHK Finish(K) LG89-8RHC Finish(C) LG89-8RHK Finish(K)
- R89-1RHK Finish(K) R89-1RHBG Finish(BG) LG89-7RHB Finish(B) LG89-8RHB Finish(B)
- LG89-7RHBG Finish(BG) LG89-8RHBG Finish(BG)

Specifications

- SecurePfit™
- Trim Only, Valve Not Included

Features

- 1.8 GPM Flow Rate (Showerhead)
- All Metal Construction
- All Brass Raincan Showerhead
- Brass Ball Joint
- Decorative Shower Arm
- SecurePfit™ with Anti-Handle Wobble
- Trough Spout
- Easy to Clean Nozzles
- Fits OX8 Valve Bodies
- Flange Only (1RH Only)
- Shower Only (7RH Only)
- Tub & Shower (8RH Only)
- Trim Only, Valve Not Included
- Pforever Warranty®

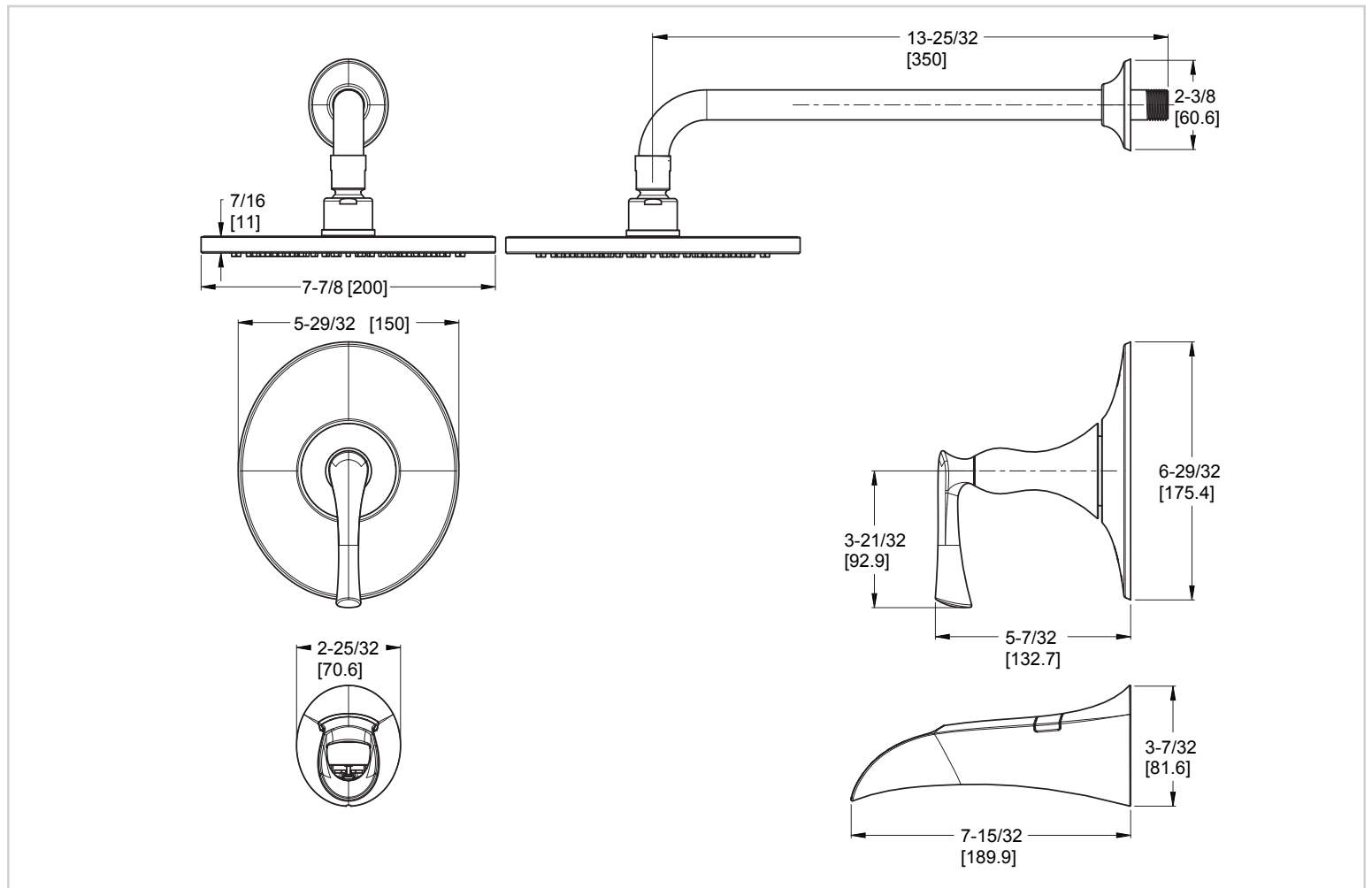
Code Compliance

Pfister products are designed and manufactured in compliance with the following standards and codes:

- IAPMO Certified
- CSA B125 Certified
- ASME A112.18.1
- CEC Compliant
- Cal Green Compliant
- ADA Compliant-ANSI A117.1 (Lever handles only)
- EPA WaterSense Certification 1.8 gpm, 6.8 L/Min

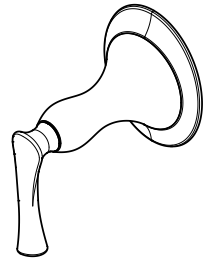


Dimensions



Rhen™ Diverter Trim

- 016-RH1C Finish(C)
- 016-RH1K Finish(K)
- 016-RH1B Finish(B)
- 016-RH1BG Finish(BG)



Specifications

Features

- SecurePfit™ with Anti-Handle Wobble
- Pforever Warranty®

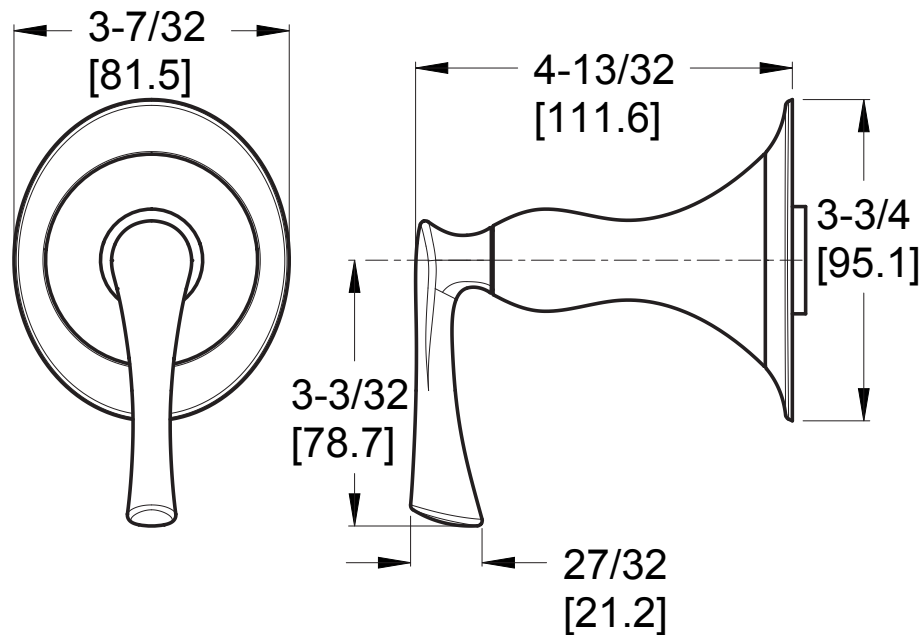
Code Compliance

Pfister products are designed and manufactured in compliance with the following standards and codes:

- IAPMO Certified
- CSA B125 Certified
- ASME A112.18.1
- ADA Compliant-ANSI A117.1 (Lever handles only)

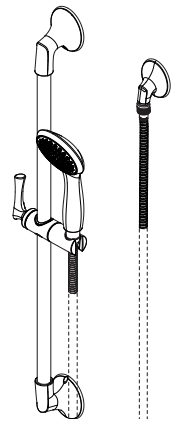


Dimensions



Rhen™ Adjustable Slide Bar Kit

- LG16-3RHC Finish(C)
- LG16-3RHK Finish(K)
- LG16-3RHB Finish(B)
- LG16-3RHBG Finish(BG)



Specifications

Features

- 1.8 GPM Flow Rate
- 60" Metal Hose
- Easy to Clean Nozzles
- Includes Mounting Hardware
- Pforever Warranty®

Code Compliance

Pfister products are designed and manufactured in compliance with the following standards and codes:

- IAPMO Certified
- CSA B125 Certified
- ASME A112.18.1
- Cal Green Compliant
- CEC Compliant
- EPA WaterSense Certification 1.8 gpm, 6.8 L/Min
- ADA Compliant-ANSI A117.1 (Lever handles only)
- ASME A112.18.3 (Backflow Prevention)



Dimensions

