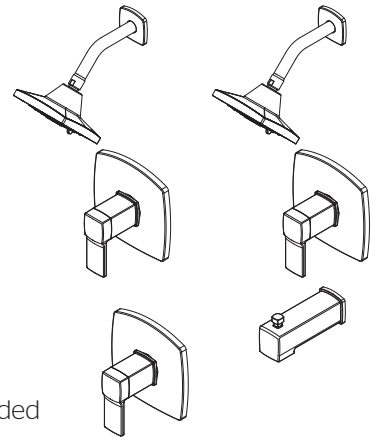


- |   |  |  |  |  |  |
|---|--|--|--|--|--|
| R89-1DAB Finish(B) <input type="checkbox"/> | R89-1DAC Finish(C) <input type="checkbox"/>  | LG89-7DAB Finish(B) <input type="checkbox"/> | LG89-7DAC Finish(C) <input type="checkbox"/> | LG89-8DAB Finish(B) <input type="checkbox"/> | LG89-8DAC Finish(C) <input type="checkbox"/> |
| R89-1DAK Finish(K) <input type="checkbox"/> | LG89-7DAK Finish(K) <input type="checkbox"/> | LG89-8DAK Finish(K) <input type="checkbox"/> |  |  |  |



## Specifications

- SecurePfit™
- Trim Only, Valve Not Included

### Features

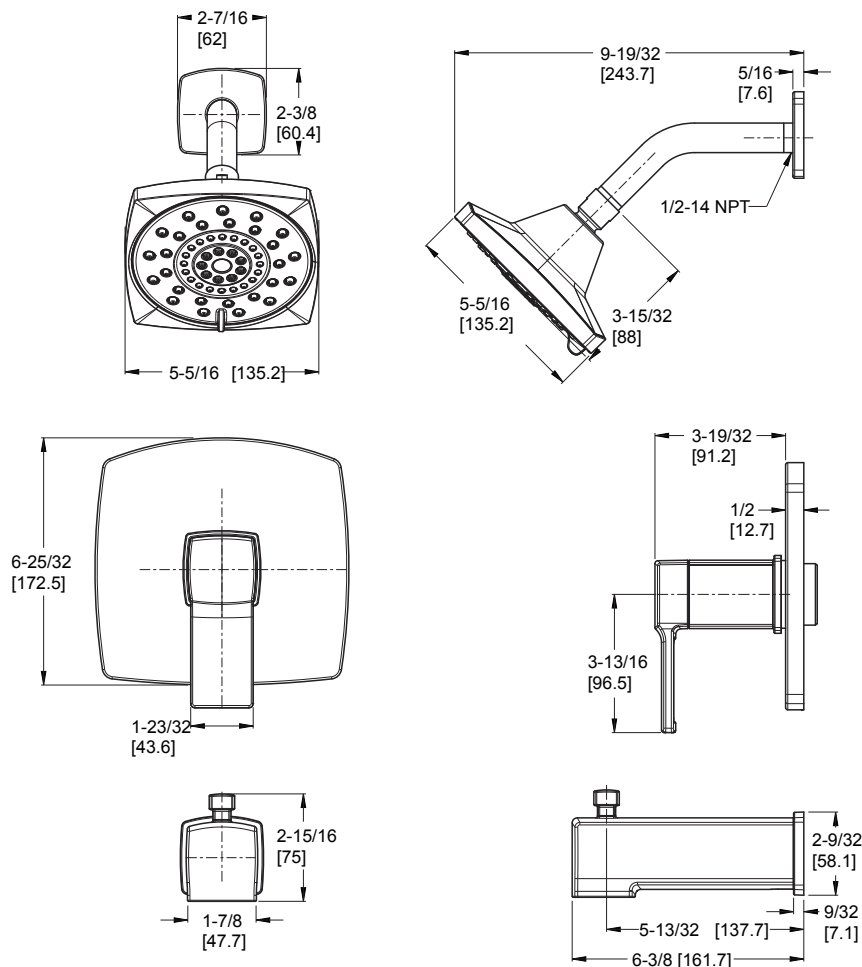
- 1.8 GPM Flow Rate (Showerhead)
- 3 Function Showerhead (Penetrating Massage, Rain Spray, and Invigorating Spray)
- All Metal Construction
- SecurePfit™
- Fits OX8 Valve Bodies
- Flange Only (1DA Only)
- Shower Only (7DA Only)
- Tub & Shower (8DA Only)
- Trim Only, Valve Not Included
- Pforever Warranty®

### Code Compliance

- Pfister products are designed and manufactured in compliance with the following standards and codes:
- IAPMO Certified
  - CSA B125 Certified
  - ASME A112.18.1
  - CEC Compliant
  - Cal Green Compliant
  - ADA Compliant-ANSI A117.1 (Lever handles only)

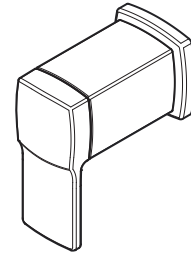


## Dimensions



## Deckard™ Diverter Trim

- 016-DA1B Finish(B)
- 016-DA1C Finish(C)
- 016-DA1K Finish(K)



## Specifications

### Features

- Pforever Warranty®

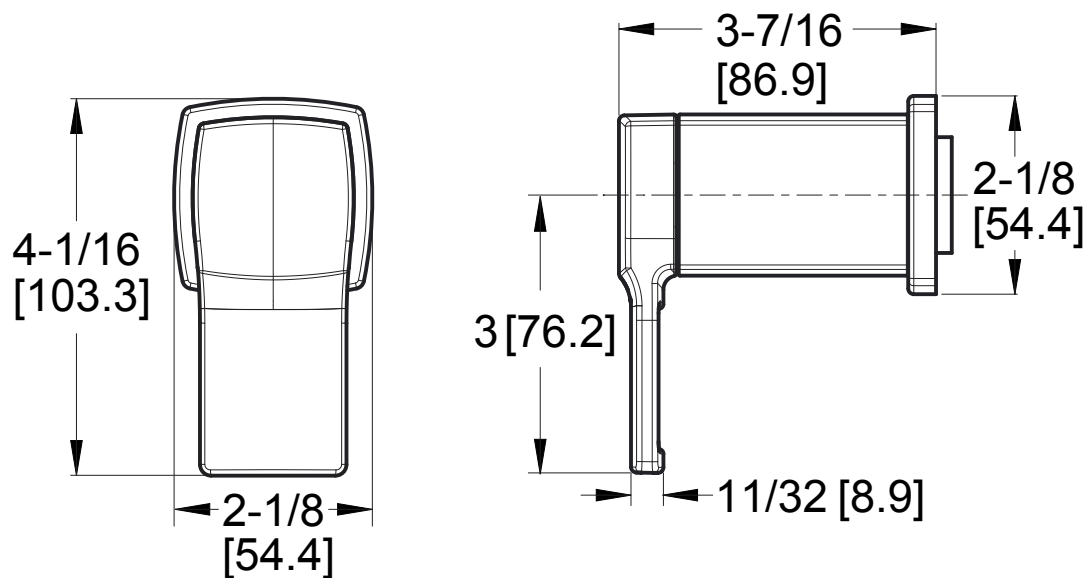
### Code Compliance

Pfister products are designed and manufactured in compliance with the following standards and codes:

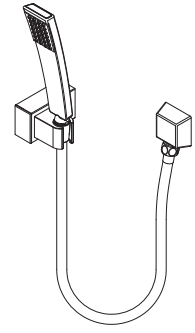
- IAPMO Certified
- CSA B125 Certified
- ASME A112.18.1
- ADA Compliant-ANSI A117.1 (Lever handles only)



## Dimensions



- LG16-1DFB Finish(B)
- LG16-1DFC Finish(C)
- LG16-1DFK Finish(K)



### Specifications

#### Features

- 1.8 GPM Flow Rate
- 60" Metal Hose
- Valve Not Included
- Pforever Warranty®

#### Code Compliance

Pfister products are designed and manufactured in compliance with the following standards and codes:

- IAPMO Certified
- CSA B125 Certified
- ASME A112.18.1
- Cal Green Compliant
- CEC Compliant
- ADA Compliant-ANSI A117.1 (Lever handles only)
- EPA WaterSense Certification 1.8 gpm, 6.8 L/Min
- ASME A112.18.3 (Backflow Prevention)



### Dimensions

