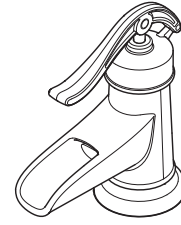
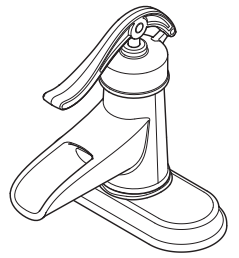


LF-042-PNKK Finish(KK)

LF-042-PNYY Finish(YY)



## Specifications

- 1 or 3-Hole Installation
- Pforever Seal
- Push & Seal™ Pop-Up

### Features

- 1.2 GPM Flow Rate
- 1 or 3-Hole Installation; Deck Plate or Single Hole Mounting Option
- All Metal Construction
- Mounting Hardware Included
- Mounting Posts
- Pfast Connect
- PVD Finish (KK Finish Only)
- Push & Seal™ Pop-Up
- Pforever Seal Ceramic Disc Valve
- Pforever Warranty®

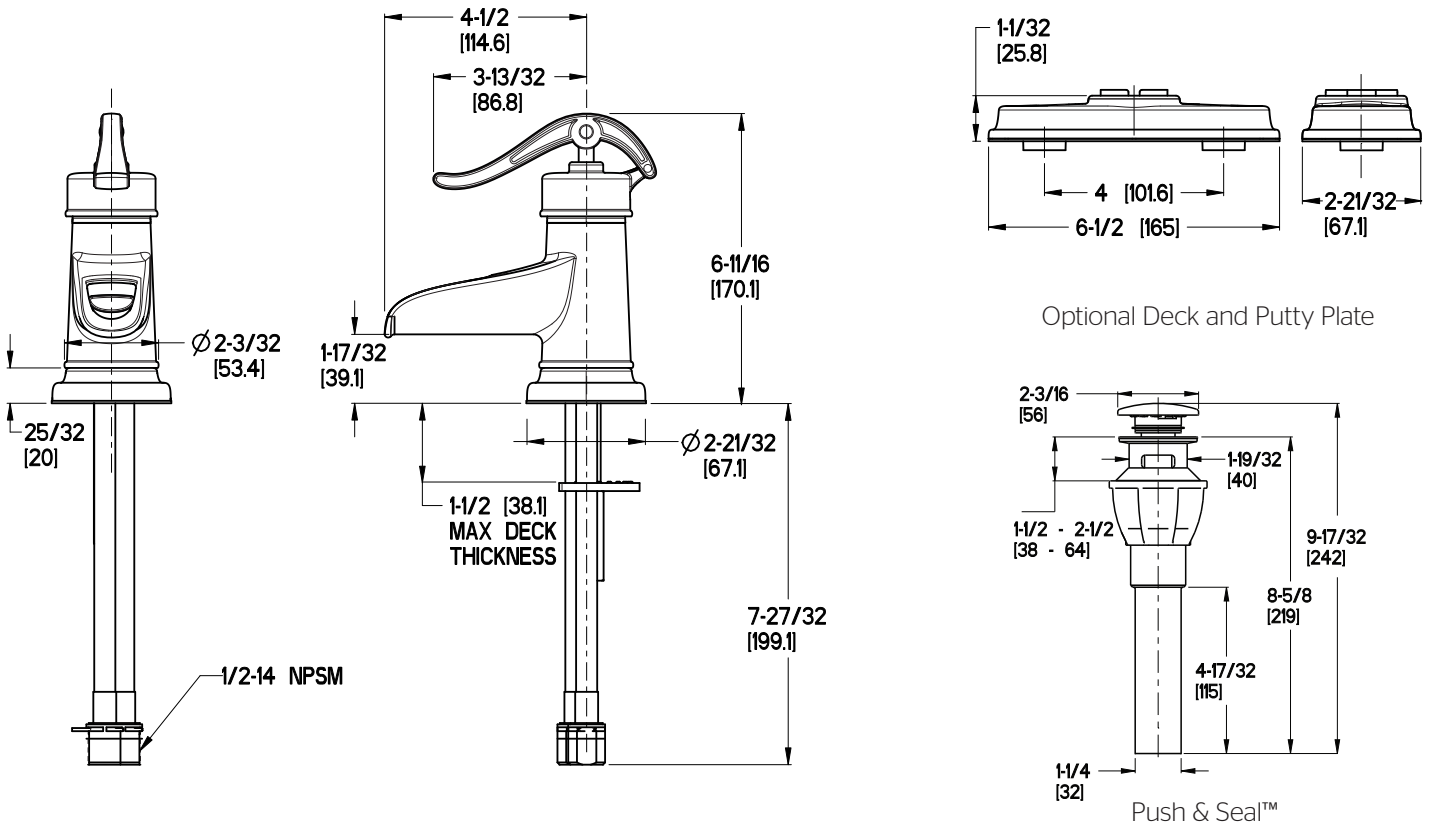
### Code Compliance

Pfister products are designed and manufactured in compliance with the following standards and codes:

- IAPMO Certified
- CSA B125 Certified
- ASME A112.18.1
- NSF 61/9 Annex G (Low lead)
- Cal Green Compliant
- CEC Compliant
- EPA WaterSense Certification 1.2 gpm, 4.5 L/Min
- ADA Compliant-ANSI A117.1 (Lever handles only)



## Dimensions



$\phi$ 1 Min to  $\phi$ 1-1/2 Max. Deck Hole Openings