

# Pfister™

LG532 Series  
Serie LG532  
Série LG532

## Marielle™

Single Control Pullout Kitchen  
Faucet

Grifo Monomando Con Desmontable  
Manija Para La Cocina

Branchement Robinet De Cuisine Avec  
Commande Simple



Pfister™

Lifetime Limited Mechanical & Pfinish Warranty  
Covers Pfinish and Pfunction for as Long as You  
Own Your Home

(Commercial Applications Limit the Duration of the  
Warranties as Provided Below)

Pfister provides the following Warranties for its products. Proof of Purchase  
may be required in order to obtain any of the benefits set forth below.

**Limited Warranties:** Pfister warrants that for as long as the original  
purchaser owns the home in which the Pfister product (the "Product")  
is originally installed, the Product will be free of all defects in material  
and workmanship that would impair the intended and proper use of the  
Product. If the Product is installed in a commercial application, the above  
mechanical warranty shall be limited for a period of ten (10) years from  
the date of purchase of the Product.

Pfister warrants against deterioration of the Product's finish for as long as  
the original purchaser owns the home in which the Product is originally  
installed. If the Product is installed in a commercial application, the above  
finish warranty for Products that do not contain the Pforever finish shall be  
limited to a period of five (5) years from the date of purchase.

**Exclusive Remedy:** In the event of any defect in the Product that breaches  
the foregoing warranties, Pfister, at its option, will repair or replace the  
defective part of the Product. Repair or replacement of the Product is the  
exclusive remedy.

For any remedy under this warranty, Pfister is to be notified describing the  
problem. In order to notify Pfister and receive assistance or service under  
this warranty, the original purchaser may: (1) call 1-800-Pfaucet (1-800-  
732-8238) for a consumer service representative who can assist you, or (2)  
write consumer service department c/o Pfister Inc., 19701 DaVinci, Lake  
Forest, CA 92610, and include a description of the problem, model number,  
your name, address, phone number and approximate date of purchase, or (3)  
email Pfister's customer service department by going to [www.pfisterfaucets.com](http://www.pfisterfaucets.com), or (4)  
notify the location or distributor from which the Product was  
purchased. In any case, you may be required to return the Product to Pfister  
for inspection and proof of purchase may be required.

**Limitations and Exclusions:**

PFISTER WILL NOT BE LIABLE FOR ANY OTHER DAMAGES  
OR LOSSES, INCLUDING, BUT NOT LIMITED TO, INCIDENTAL  
AND/OR CONSEQUENTIAL DAMAGES, REGARDLESS OF THE  
LEGAL THEORY ASSERTED, INCLUDING ANY CLAIM OR  
BREACH OF WARRANTY HEREUNDER OR ANY OTHER CAUSE,  
AND WHETHER ARISING IN CONTRACT OR IN TORT (including  
negligence and strict liability).

Pfister has the right to discontinue or modify any product at any time. Some  
states do not allow limitations or exclusions of incidental or consequential  
damages, so the above limitations or exclusions may not apply to you. This  
warranty gives you specific legal rights, and you may also have other rights  
which vary from state to state.

The above warranties do not cover damage resulting from improper  
maintenance, repair, cleaning or installation, misuse, abuse, alterations,  
accidents or acts of God.



Pfister™

Garantía Mecánica y sobre el Acabado Limitada de por Vida  
Cubre las funciones y el acabado por el tiempo en que usted sea  
propietario de su casa  
(Las Aplicaciones Comerciales Limitan la Duración  
de las Garantías)

Pfister suministra las siguientes Garantías para sus productos. Es posible  
que se requiera la presentación de una Prueba de compra para obtener  
cualquiera de los beneficios indicados a continuación.

**Garantías Limitadas:** Pfister garantiza que por el tiempo en que el  
comprador original sea propietario de la casa en el que se hubiese instalado  
inicialmente el producto Pfister (el "Producto"), este Producto estará  
libre de todo defecto en material y mano de obra que pueda afectar el  
uso proyectado y correcto del Producto. Si el Producto se instala en una  
aplicación comercial, la garantía mecánica que antecede estará limitada a un  
período de diez (10) años a partir de la fecha de compra del Producto.

Pfister garantiza el acabado del Producto contra deterioro por el tiempo  
en que el comprador original sea propietario de la casa en la que hubiese  
instalado inicialmente el Producto. Si el Producto se instala en una  
aplicación comercial, la garantía sobre el acabado "Pforever" estará limitada a un  
período de cinco (5) años a partir de la fecha de compra.

**Recurso exclusivo:** En el caso de que haya un defecto en el Producto que  
viola las garantías que preceden, Pfister, a su opción, reparará o reemplazará  
la pieza defectuosa del Producto. La reparación o el reemplazo del Producto  
es el recurso exclusivo.

Para todo recurso con respecto a esta garantía, Pfister deberá ser notificado,  
con una descripción del problema. Para notificar a Pfister y recibir ayuda  
o servicio bajo esta garantía, el comprador original puede: (1) llamar al  
1-800-Pfaucet (1-800-732-8238) para hablar con un representante de  
servicio al cliente que lo pueda ayudar, o (2) escribir al departamento de  
servicio al consumidor, c/o Pfister Inc., 19701 DaVinci, Lake Forest, CA  
92610 U.S.A., e incluir una descripción del problema, el número del modelo,  
su nombre, dirección, número de teléfono y fecha aproximada de compra,  
o (3) enviar un e-mail al departamento de servicio al consumidor de Price  
Pfister entrando en la página web [www.pfisterfaucets.com](http://www.pfisterfaucets.com), o (4) avisarle al  
lugar o al distribuidor en donde se compró el Producto. En cualesquiera de  
los casos, podría pedírsele devolver el Producto a Pfister para su inspección  
y es posible que se requiera la presentación de una prueba de compra.

**Limitaciones y Exclusiones:**

PFISTER NO SE HARÁ RESPONSABLE DE NINGÚN OTRO DAÑO O  
PERJUICIO, INCLUYENDO, PERO SIN ESTAR LIMITADO A DAÑOS  
INCIDENTALES Y/O CONSECUENTES, SIN IMPORTAR LA TEORÍA LEGAL  
A LA QUE SE ALEGUE, INCLUYENDO TODO RECLAMO O VIOLACIÓN DE  
LA GARANTÍA PRESENTE O CUALQUIER OTRA CAUSA, Y YASEAN COMO  
RESULTADO DE LA LEY CONTRACTUAL O LA DE ANTECEDENTES  
(incluyendo negligencia y responsabilidad estricta).

Pfister tiene el derecho de discontinuar o modificar cualquier producto en  
cualquier momento. Ciertos estados no permiten limitaciones o exclusiones  
de daños incidentales o consecuentes, de manera que es posible que las  
limitaciones o exclusiones que preceden no correspondan en su caso.  
Esta garantía le otorga derechos legales específicos y es posible que usted  
también tenga otros derechos que difieren entre un estado y otro.

Las garantías que preceden no cubren daños y perjuicios ocasionados  
como resultado de mantenimiento, reparaciones, limpieza o instalación  
inadecuados, mal uso, abuso, alteraciones, accidentes o causas de fuerza  
mayor.



Pfister™

Une garantie limitée à vie  
pour ce qui est de l'aspect mécanique et de la finition,  
tant et aussi longtemps que vous serez propriétaire  
de votre domicile.

(Garantie limitée en cas d'utilisation commerciale  
– voir ci-dessous)

Veillez noter qu'une preuve d'achat peut être requise en cas de recours  
au titre de la garantie.

**Garantie limitée:** Tant et aussi longtemps que l'acheteur sera propriétaire  
du domicile dans lequel le produit Pfister a été installé, nous lui  
garantissons que ce dernier sera exempt de tout défaut de matériau ou vice  
de fabrication pouvant en entraver l'utilisation correcte tel que prévu.  
Dans le cas des produits d'utilisation commerciale, la garantie exprimée  
ci-dessus est restreinte à une période de dix (10) ans.

Par ailleurs, tant et aussi longtemps que l'acheteur sera propriétaire du  
domicile dans lequel le produit Pfister a été installé, nous lui garantissons  
un article dont la finition ne pourra se détériorer. Dans le cas des produits  
d'utilisation commerciale qui ne comportent pas la finition "Pforever",  
la garantie est restreinte à une période de cinq (5) ans.

**Recours exclusif:** En cas de défaut du produit relevant de la garantie,  
le fabricant pourra, à sa discrétion, réparer ou remplacer la partie  
défectueuse. Cette mesure constitue un recours exclusif.

Pour tout recours au titre de la garantie, les clients doivent communiquer  
avec le fabricant pour lui faire part du problème. L'acheteur d'origine  
peut : (1) composer le 1 800 732-8238 pour parler à un représentant  
qui l'assistera; (2) écrire au service à la clientèle : Pfister Inc., 19701  
DaVinci, Lake Forest, CA 92610 U.S.A., et fournir une explication du  
problème, en précisant le numéro de modèle, son nom, son adresse et  
son numéro de téléphone, ainsi que la date d'achat approximative; (3)  
communiquer par courrier électronique avec le service à la clientèle en  
utilisant le site [www.pfisterfaucets.com](http://www.pfisterfaucets.com), ou (4) aviser le détaillant qui a  
vendu le produit. On peut être obligé de retourner le produit au fabricant,  
et une preuve d'achat peut être exigée.

**Limitations et exclusions :**

PFISTER NE SERA PAS RESPONSABLE DES AUTRES  
DOMMAGES OU PERTES, Y COMPRIS LES DOMMAGES  
INDIRECTS, INDÉPENDAMMENT DE TOUTE THÉORIE JURIDIQUE,  
Y COMPRIS TOUTE RÉCLAMATION SELON LAQUELLE IL  
Y AURAIT EU RUPTURE DE GARANTIE, QUE CE SOIT PAR  
RAPPORT À UN CONTRAT OU PAR VOIE DE NÉGLIGENCE (cela  
comprend la négligence et la responsabilité stricte).

Pfister se réserve le droit de discontinuer ou de modifier un produit en  
tout temps. Certaines provinces ne permettent pas l'exclusion ou la  
limitation des dommages indirects, de sorte que la limitation exprimée  
peut ne pas s'appliquer. La présente garantie octroie aux clients certains  
droits d'ordre juridique, et ceux-ci pourraient en avoir d'autres, selon  
la province où ils habitent.

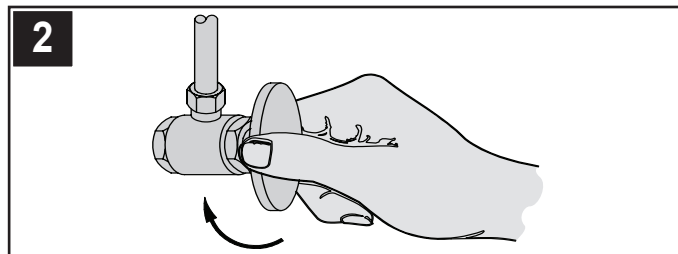
La garantie ne s'applique pas aux dommages résultant d'un entretien,  
d'un nettoyage ou d'une installation fautivement effectués, ou encore  
d'usages fautifs, d'abus, de modifications, d'accidents ou de catastrophes  
naturelles.

Thank you for purchasing this Pfister product. All Pfister products are carefully engineered, and factory tested to provide long trouble-free use under normal conditions. This product is easy to install using basic tools and our easy to follow illustrated instructions. If you have any questions regarding this product, call 1-800-Pfaucet (1-800-732-8238)

ENGLISH

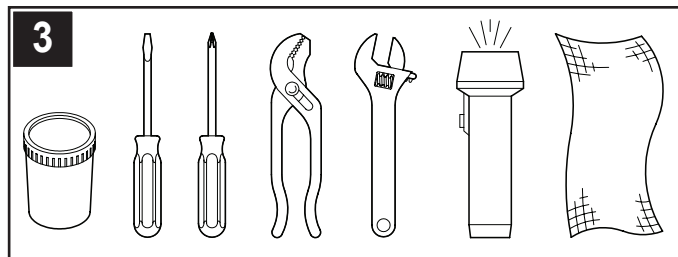
**1 BEFORE PROCEEDING**

**⚠ WARNING:** Read all the instructions completely before proceeding. Pfister recommends calling a professional if you are uncertain about installing this product! This product should be installed in accordance with all local and state plumbing and building codes.



**2 SHUT OFF WATER SUPPLY**

Locate water supply inlets and shut off the water supply valves. These are usually found under the sink or near the water meter. If you are replacing an existing faucet, remove the old faucet from the sink and clean the sink surface thoroughly.



**3 TOOLS RECOMMENDED**

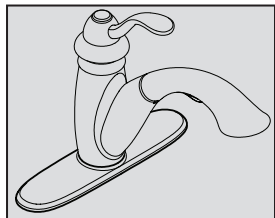
- Plumber's putty
- Pliers
- Cloth
- Slotted screwdriver
- Adjustable wrench
- Phillips head screwdriver
- Flashlight

Your installation may require new supply lines and / or shut-off valves or other additional tools.

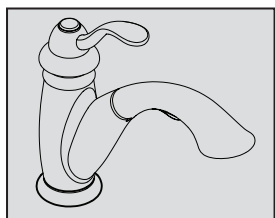
**INSTALLATION**

**4** These instructions cover two different installations:

For 3-hole installation using deck plate:

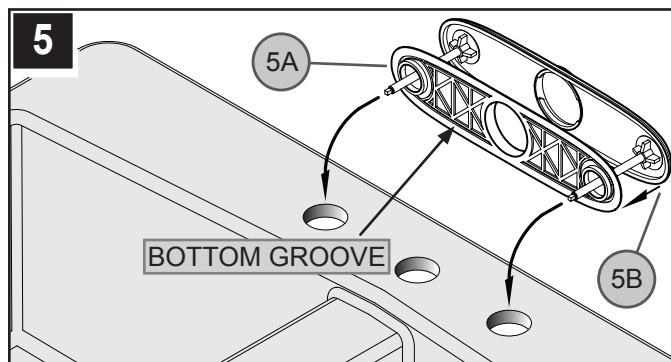


For 1-hole installation using single post:



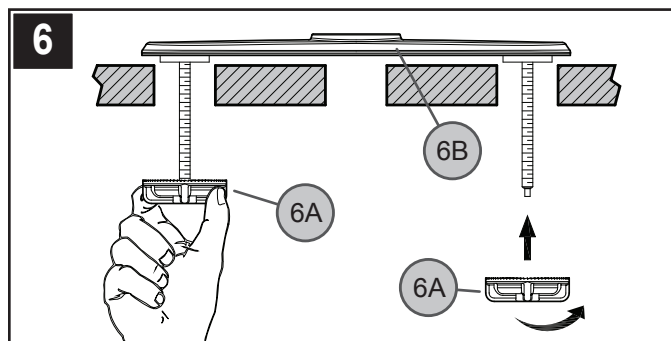
**⚠ WARNING:** Do not install the faucet using both the single post mounting ring and the deck plate!

**3-HOLE INSTALLATION USING DECK PLATE**



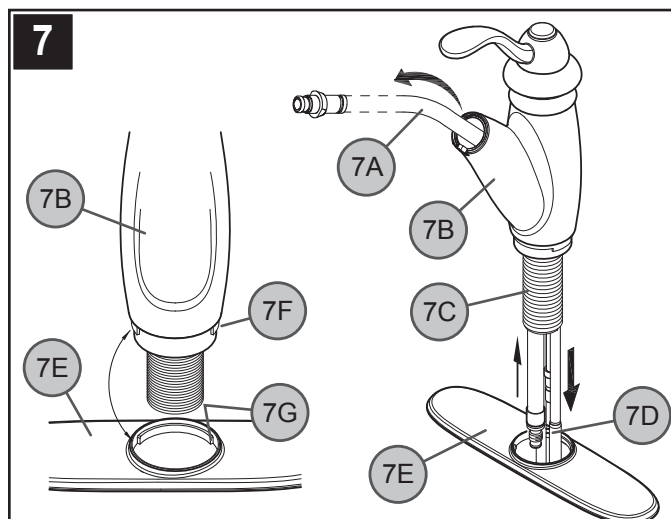
**5 INSTALLING DECK PLATE**

Ensure that Plastic Putty Plate (5A) is pressed on to Deck Plate (5B). Place a bead of plumber's putty in the bottom groove along the outer edge of the Putty Plate (5A). Install Deck Plate (5B) over the three holes in your sink.



**6 SECURING DECK PLATE**

From underneath sink, hand tighten Wing Nuts (6A). **Caution:** do not over-tighten wing nuts. Remove any excess putty from around the outside edge of Deck Plate (6B).



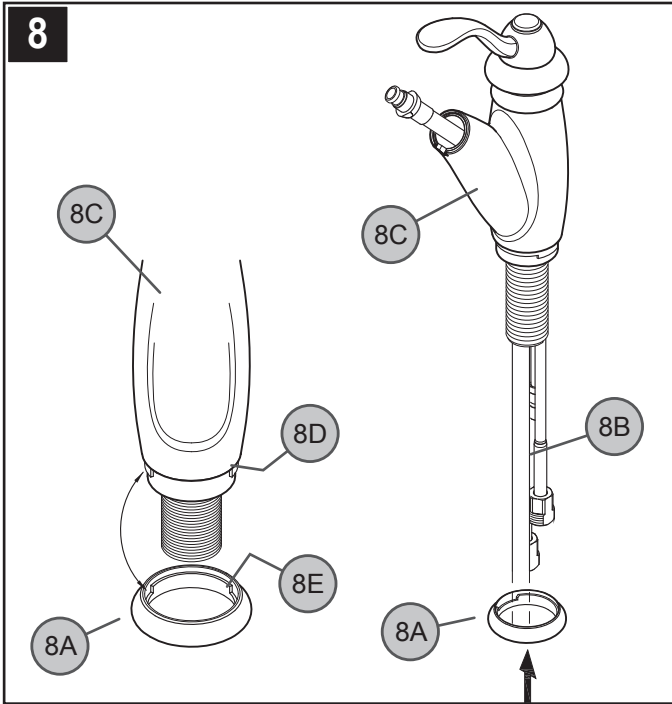
**7 BODY INSTALLATION**

Retract Pullout Hose (7A) up through Faucet Body (7B), until the pullout hose fitting is flush with the bottom of Mounting Shank (7C). Insert Faucet Supply Tubes (7D) and Mounting Shank (7C) through the hole in Deck Plate (7E). **Note:** Tabs (7F) on Faucet Body (7B) must be aligned with Grooves (7G) inside Deck Plate (7E). To ensure this is the case, rotate Faucet Body (7B) back and forth. When the tabs are aligned, the faucet will not rotate.

**Note:** Do not feed the pullout Hose (7A) back down through the spout yet.

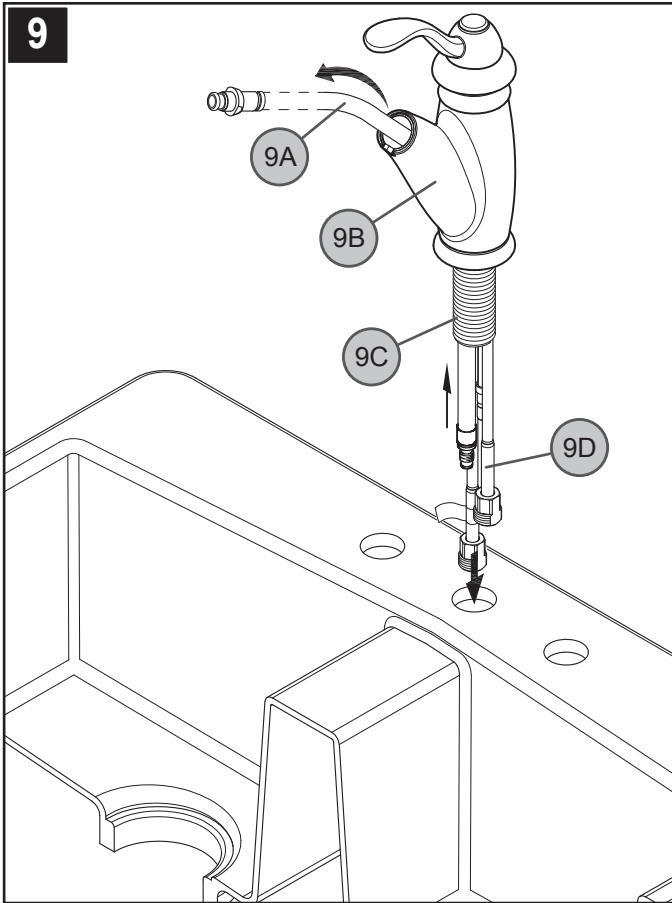


1-HOLE INSTALLATION USING SINGLE POST



**8 SINGLE POST RING INSTALLATION**

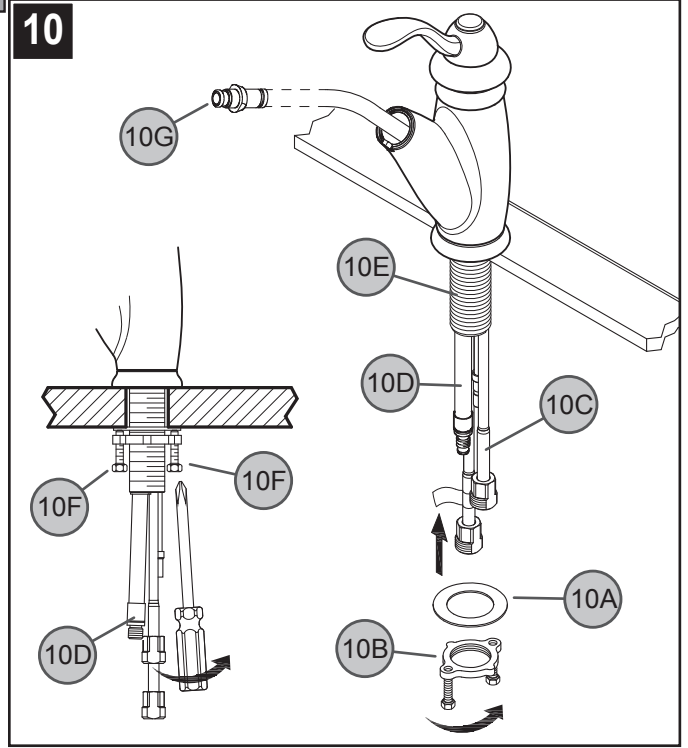
Pass Single Post Ring (8A) over copper inlet / outlet tubes (8B), and press onto Faucet Body (8C). **Note:** Tabs (8D) on Faucet Body (8C) must be aligned with Grooves (8E) inside Single Post Ring (8A). To ensure this is the case, rotate Single Post Ring (8A). When the tabs are aligned, the ring will not rotate.



**9 SINGLE POST BODY INSTALLATION**

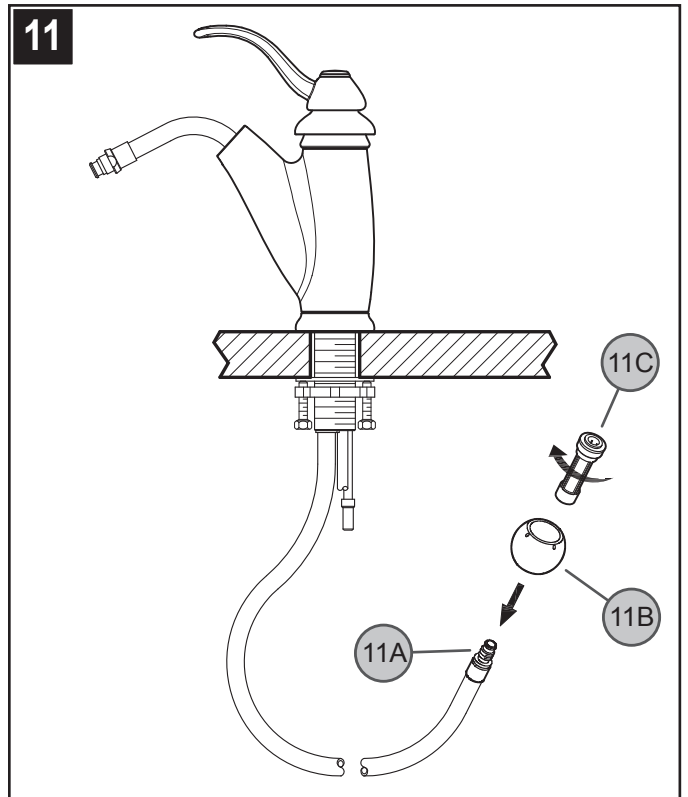
Retract Pullout Hose (9A) up through Faucet Body (9B), until the pullout hose fitting is flush with the bottom of Mounting Shank (9C). Insert Faucet Supply Tubes (9D) and Mounting Shank (9C) through the center hole of the sink.

**Note:** Do not feed the Pullout Hose (9A) back down through the spout yet.



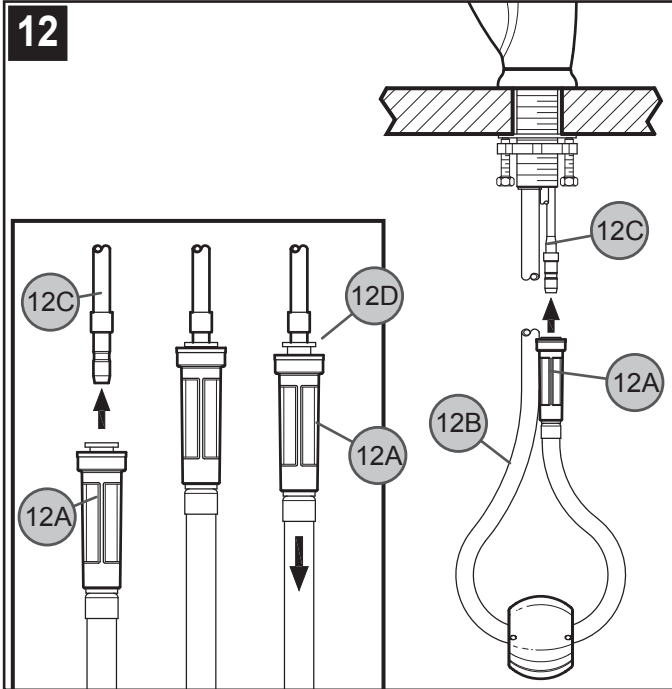
**10 MOUNTING HARDWARE INSTALLATION**

From underneath sink, feed Washer (10A) and Mounting Nut (10B) over Supply Tubes (10C) and Pullout Hose (10D). Thread Mounting Nut (10B) on to Mounting Shank (10E). Hand tighten Mounting Nut (10B) to the underside of the sink. Using either a Phillips screwdriver, or a slotted screwdriver, evenly tighten the Mounting Nut Retaining Screws (10F), until faucet is firmly secured to sink. From above sink, feed the pullout hose (10D) down through the spout, until Hose End (10G) docks into the spout.



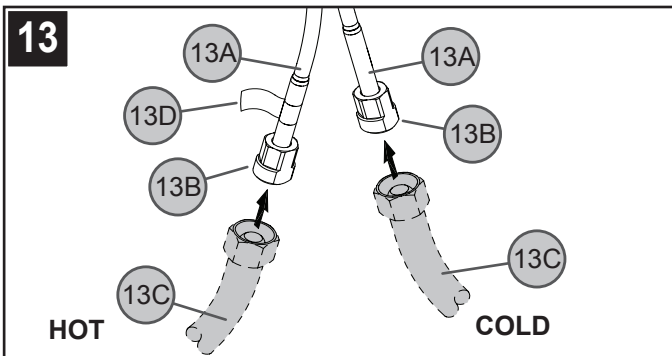
**11 QUICK CONNECT & WEIGHT ATTACHMENT**

Insert the end of the Pull-Out Hose (11A) into the Weight (11B). Screw Quick Connector (11C) to the free end of Pull-Out Hose (11A).



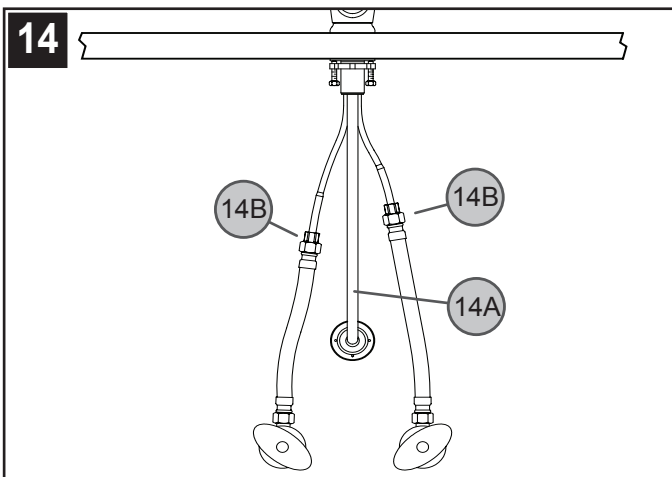
**12 PULLOUT HOSE CONNECTION**

From underneath sink, push Quick Connect Housing (12A), located on the end of the Pullout Hose (12B) firmly upward onto Receiving Tube (12C), until unable to push any further. Pull down on Quick Connect Housing (12A). If the housing and Inner Collet (12D) separate slightly but do not pull off, the Receiving Tube (12C) quick connect is secure.



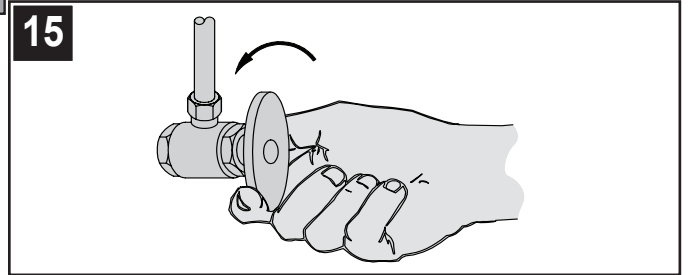
**13 WATER SUPPLY LINES**

Gently separate hot and cold supply tubes (13A), approximately three inches apart. Connect water Supply Lines (13C) to Faucet Inlets (13B). Hot water supply line goes to hot inlet fitting indicated by red tag (13D). (Supply lines and fittings are not included.) Please follow manufacturer's instructions when installing supply lines.



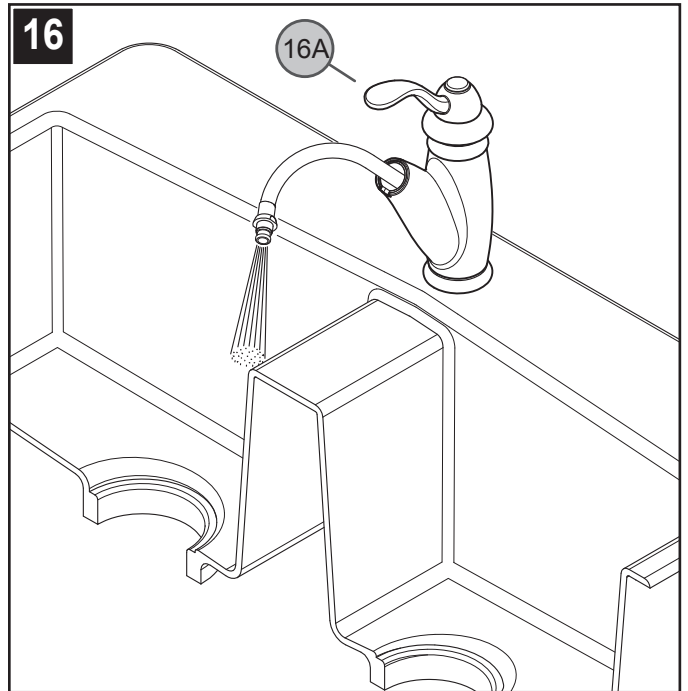
**14 SECURING INLET LINES**

Do not cross Pullout Hose Connection (14A) with Inlet Supply Tubes (14B) to avoid binding, jamming and interference with the movement of the pullout hose.



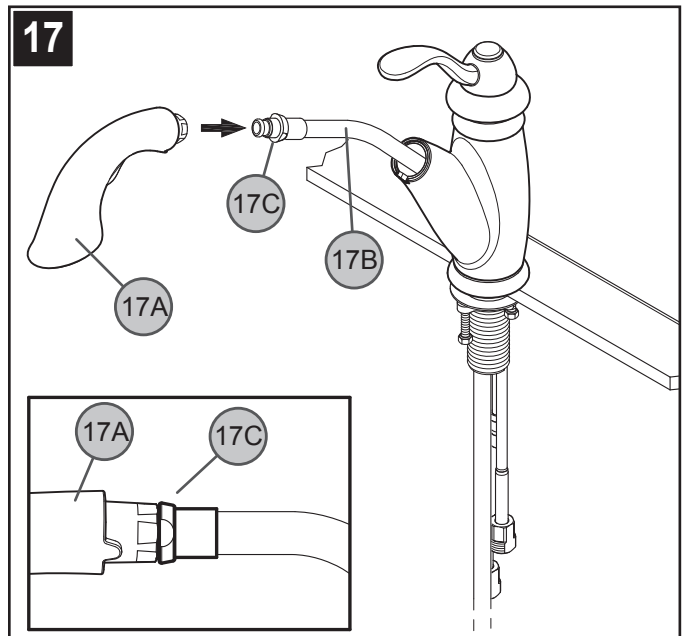
**15 UNIT START UP**

Turn on hot and cold water supplies, and check for leaks above and below the sink.



**16 FLUSHING**

To prevent damage to the internal parts of your faucet from debris that may have collected in the water lines, it will be necessary to flush the faucet. Lift the faucet handle (16A) up to the full on position. Run water for one minute. Repeat in hot and cold positions.



**17 SPRAY HEAD INSTALLATION**

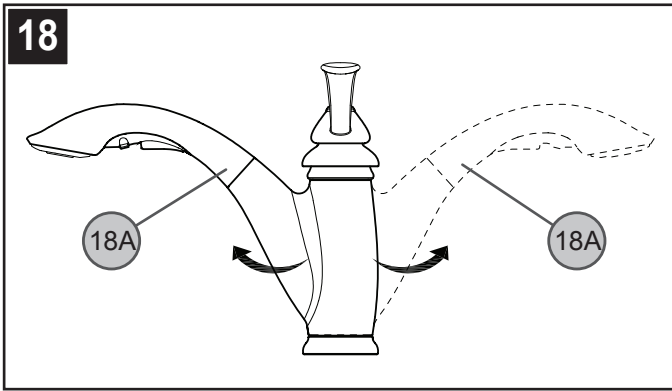
Assemble Spray Head (17A) to Pullout Hose (17B) by turning the metal Hose Fitting (17C) clockwise.

**Caution: do not over tighten!**



**FAUCET FUNCTIONS**

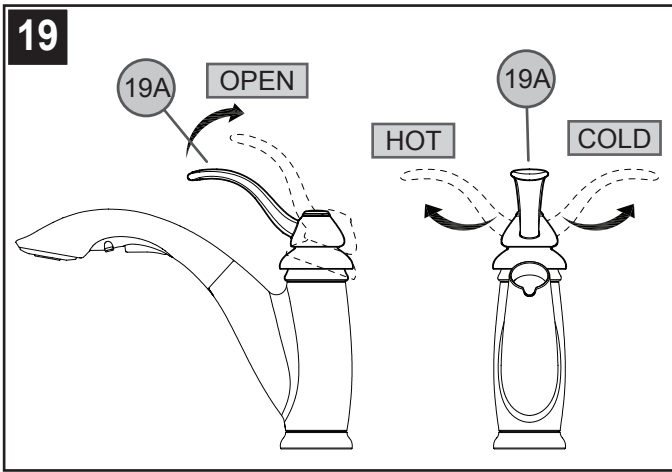
**18**



**18 SPOUT FUNCTION**

Spout (18A) can be rotated around the Faucet Body in any direction.

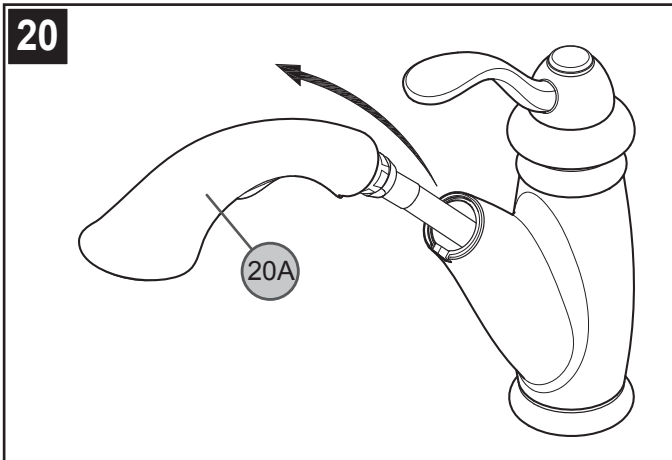
**19**



**19 VALVE FUNCTION**

By lifting Lever Handle (19A) up, the valve will be activated allowing water to flow. The water flow will increase by continuing to lift up Lever Handle (19A). By rotating Lever Handle (19A) counterclockwise, the water temperature will decrease to fully cold. By rotating Lever Handle (19A) clockwise, the water temperature will increase to fully hot.

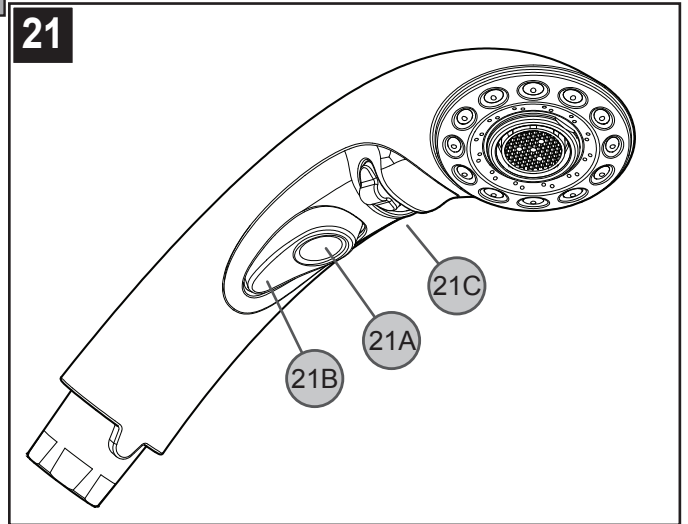
**20**



**20 PULLOUT OPERATION**

Spray Head (20A) can be pulled forward to spray water in any direction.

**21**



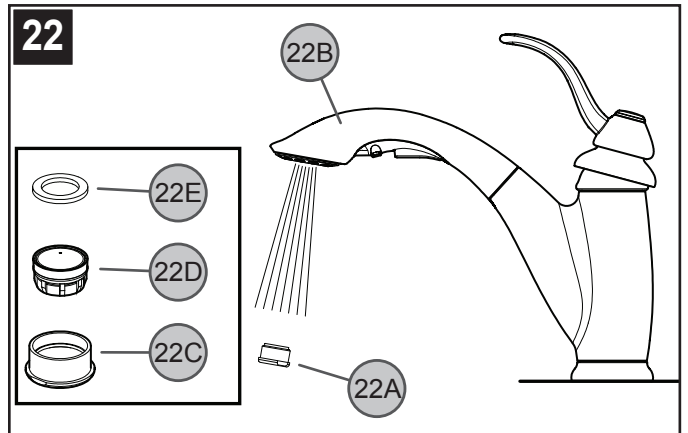
**21 SPRAY OPERATION**

To activate the spray mode, simply press Toggle Button (21A) located under the spray head. You can change between spray and stream by pressing the opposite sides of the Toggle Button (21A/21B) while the faucet is in operation. To select between hard spray and soft spray, slide Spray Selector Switch (21C) from side to side.

**Note:** The faucet will always turn on in regular stream mode.

**MAINTENANCE & CARE**

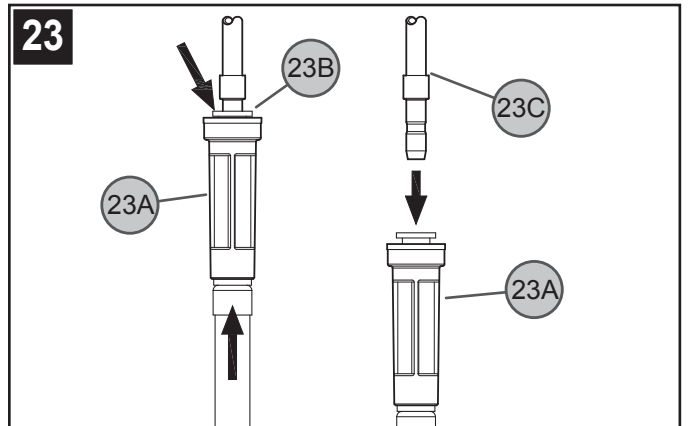
**22**



**22 AERATOR CLEANING**

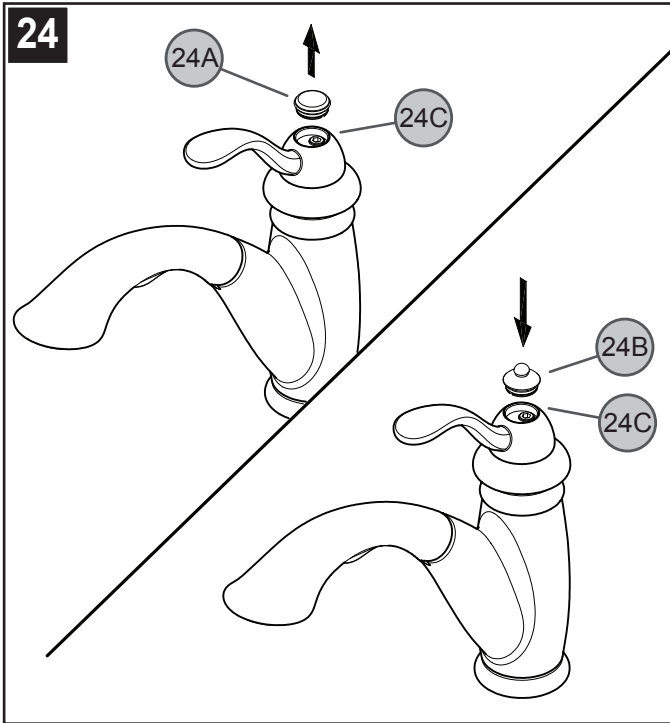
Over time, the aerator in your faucet may become clogged with debris. To clean, unscrew Aerator (22A) from Spray Head (22B) using a 7/8" open ended wrench or adjustable wrench. Separate Aerator Housing (22C), Aerator Basket (22D), and Flat Seal (22E). Once parts have been cleaned, reassemble by reversing these steps.

**23**



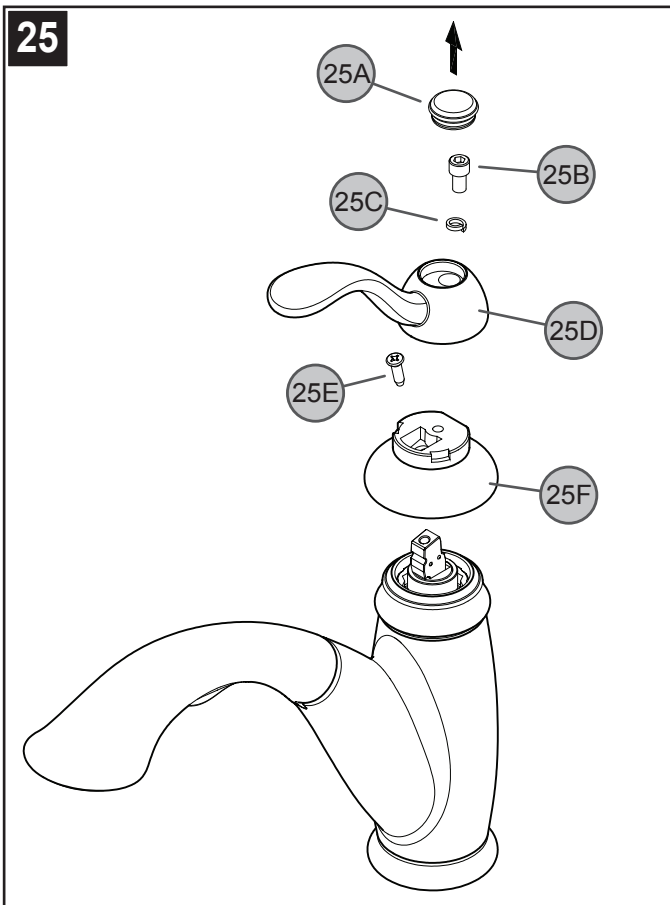
**23 QUICK CONNECT REMOVAL**

To remove the quick connect attachment, Push up on Quick Connect Housing (23A). Holding Plastic Collet (23B) in place, pull downward on Quick Connect Housing (23A) until Tube (23C) is free.



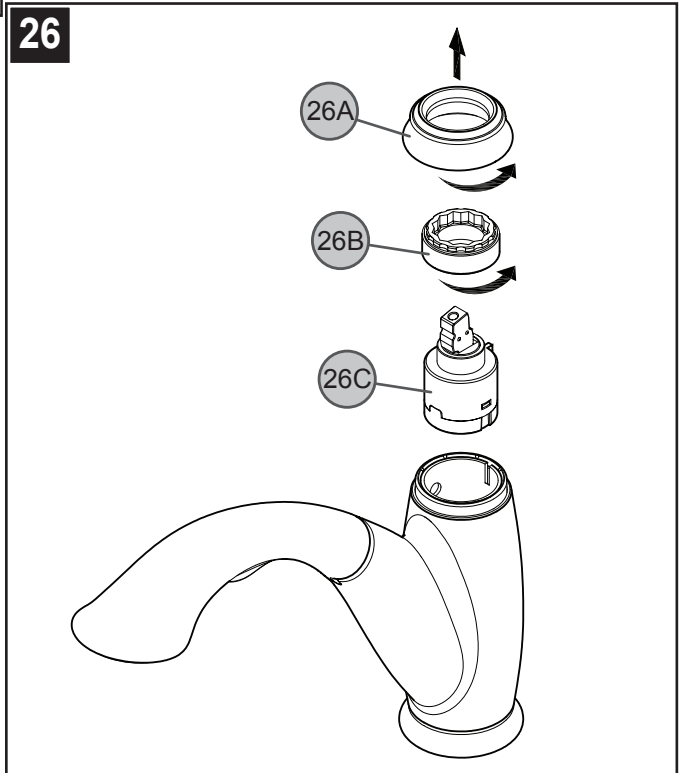
**24 OPTIONAL DECORATIVE HANDLE CAP INSTALLATION**

Carefully pry off current Handle Cap (24A) by using a small screwdriver or blade. Press the new Handle Cap (24B) into the hole in the top of the Handle (24C).



**25 HANDLE REMOVAL**

Carefully pry off Handle Cap (25A) (see step 24). Using a  $\frac{3}{16}$ " Allen wrench, remove Lever Retaining Screw (25B), Split Washer (25C), and Handle Lever (25D). Using a Phillips head screwdriver, remove Skirt Retaining Screw (25E) and Handle Skirt (25F). Reassemble handle by reversing steps.



**26 CARTRIDGE REPLACEMENT**

Turn off water supplies and relieve pressure before working on your faucet (see step 2). Remove handle (see step 25). Remove Dome Cap (26A) by unscrewing counter clockwise. Using pliers, unscrew Retainer Ring (26B) and carefully remove Cartridge (26C) by pulling it straight up and out. Reassemble faucet by reversing steps.

**⚠ CAUTION: Maintenance**

**Disassembly:**

1. Replacement parts may be available at the store where you purchased your faucet.
2. When replacement parts are not available, please write or call Pfister Consumer Service.
3. Always turn off water and relieve pressure before working on your faucet.

**⚠ NOTE: Trim Care**

**Cleaning Instructions:**

For all Handles and decorative finishes, use only a soft damp cloth to clean and shine. Use of polish, detergents, abrasive cleaners, organic solvents or acid may cause damage. **Use of other than a soft damp cloth will nullify our warranty!**

**Special Trim:**

Trim products which contain Porcelain or other similar substance are not acceptable for public areas or Commercial use. Installation of Said Trim is at Users Risk!



**1-80v (1-800-732-8238)**

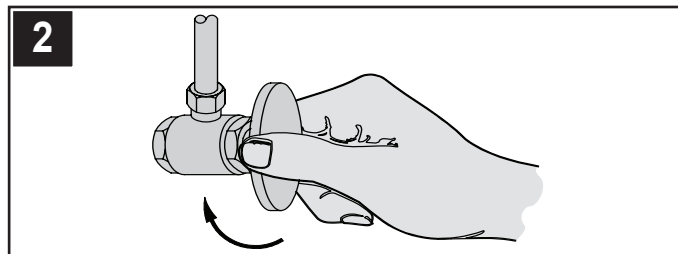
For Toll-Free Pfister information call  
1-800-PFAUCET (1-800-732-8238)  
or visit [www.pfisterfaucets.com](http://www.pfisterfaucets.com)

- Installation Support
- Care and Warranty Information

Gracias por haber comprado este producto Pfister. Todos los productos Pfister están diseñados cuidadosamente y son sometidos a pruebas en la fábrica para ser utilizados sin problemas bajo condiciones normales. Este producto es fácil de instalar con herramientas básicas y nuestras instrucciones ilustradas fáciles de seguir. Si tiene alguna pregunta sobre este producto, llame al 1-800 Pfaucet (1-800-732-8238).

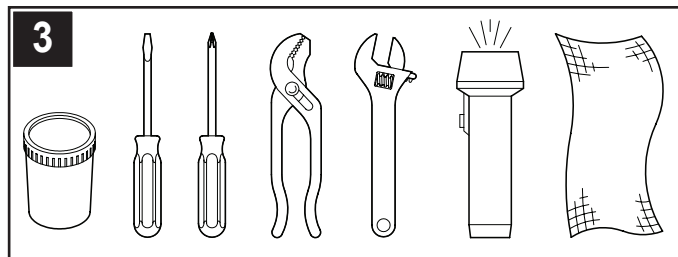
**1 ANTES DE PROCEDER**

**ADVERTENCIA:** Antes de proceder, lea completamente todas las instrucciones. Pfister recomienda llamar a un profesional si no se está seguro acerca de cómo instalar este producto. Este producto debe instalarse de acuerdo a los códigos de plomería y de construcción locales y estatales.



**2 CIERRE EL SUMINISTRO DE AGUA**

Ubique las entradas del suministro de agua y cierre las válvulas de suministro de agua. Generalmente se encuentran debajo del fregadero o cerca del medidor de agua. Si se trata de un reemplazo de grifo, quite el grifo viejo y limpie completamente la superficie del fregadero.

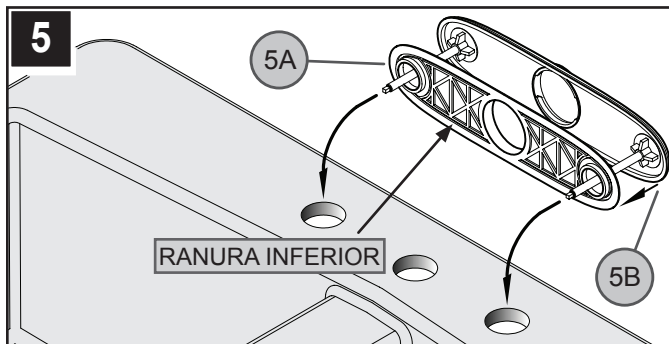


**3 HERRAMIENTAS RECOMENDADAS**

- Masilla para plomería
- Destornillador recto
- Destornillador en cruz
- Tenazas
- Llave ajustable
- Linterna de mano
- Paño

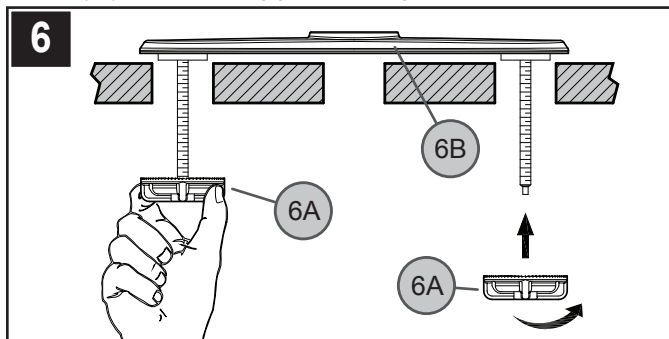
Para hacer la instalación podría ser necesario contar con nuevas tuberías de suministro, válvulas de cierre o herramientas adicionales.

**INSTALACIÓN EN 3 AGUJEROS CON PLACA DE CUBIERTA**



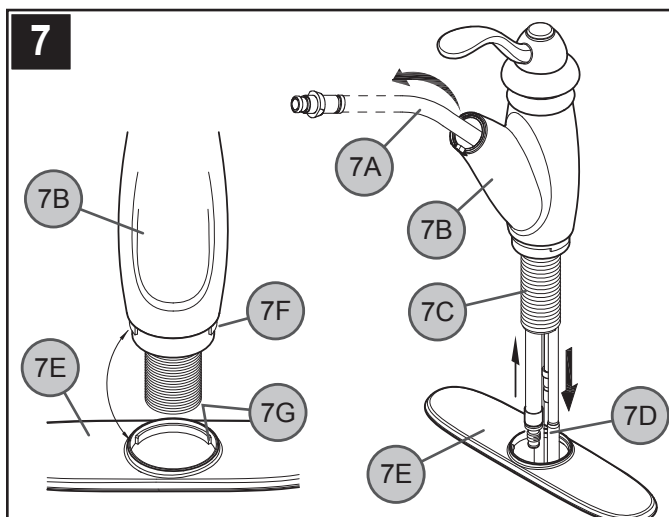
**5 INSTALACIÓN DE LA PLACA DE CUBIERTA**

Verifique que la placa de plástico para masilla (5A) esté oprimida sobre la placa de cubierta (5B). Aplique un cordón de masilla de plomería en la ranura a lo largo del borde exterior de la placa para masilla (5A). Instale la placa de cubierta (5B) sobre los tres agujeros en el fregadero.



**6 SUJECIÓN DE LA PLACA A LA CUBIERTA**

Apriete las tuercas de mariposa (6A) con la mano desde debajo del fregadero. **Precaución:** No apriete demasiado las tuercas de mariposa. Quite el exceso de masilla de alrededor del borde exterior de la placa de cubierta (6B).



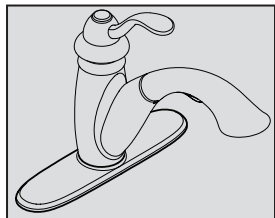
**7 INSTALACIÓN DEL GRIFO USANDO LA PLACA DE CUBIERTA**

Recoja la manguera desmontable (7A) hacia arriba por el cuerpo del grifo (7B), hasta que el conector de la manguera quede a ras con el extremo inferior de la espiga de montaje (7C). Inserte los tubos de suministro del grifo (7D) y la espiga de montaje (7C) a través del agujero en la placa de cubierta (7E). **Nota:** Las lengüetas (7F) en el cuerpo del grifo (7B) deben alinearse con las ranuras (7G) dentro de la placa de cubierta (7E). Para asegurar que así sea, gire el cuerpo del grifo (7B) de un lado a otro. **Nota:** Todavía no introduzca la manguera desmontable (7A) nuevamente hacia abajo por el surtidor.

**INSTALACIÓN**

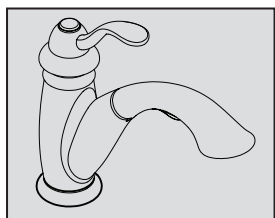
**4 Estas instrucciones cubren dos instalaciones distintas:**

Instalación en 3 agujeros utilizando la placa de cubierta:



Vaya Al Paso 5

Instalación en 1 agujero utilizando el poste único:

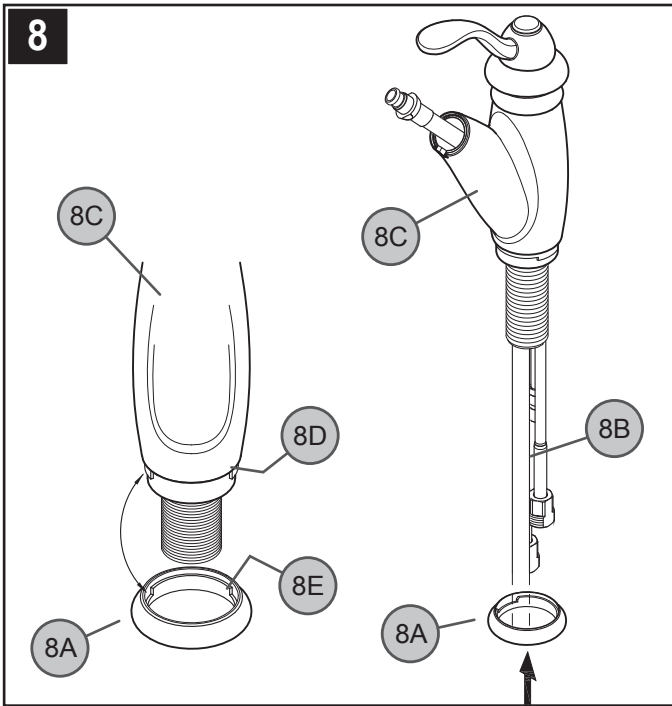


Vaya Al Paso 8

**ADVERTENCIA:** ¡No instale el grifo utilizando el aro de montaje de poste único y la placa de cubierta!

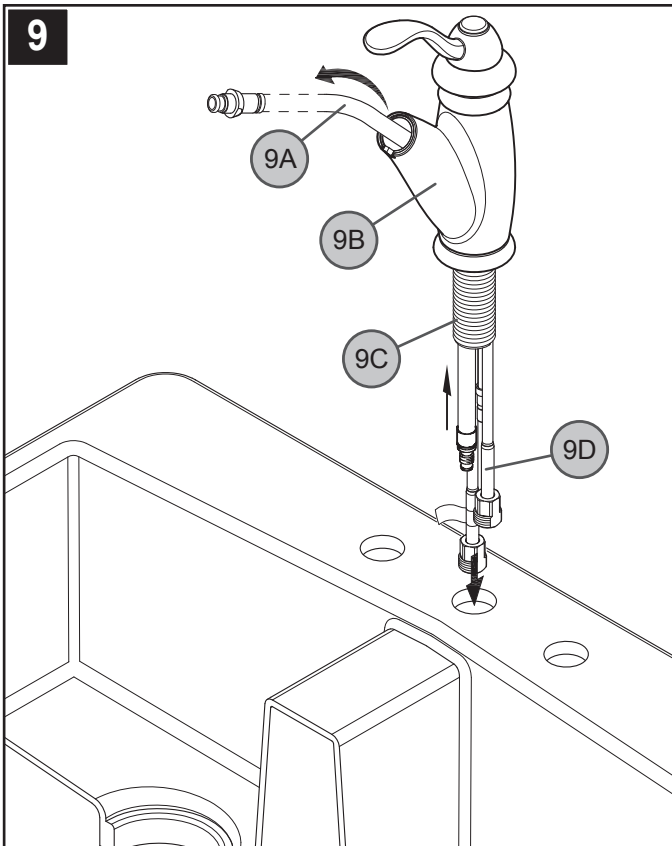
**ALTO** Continúe Con El Paso 10

ESPAÑOL



**8 INSTALACIÓN DEL ARO DE POSTE ÚNICO**

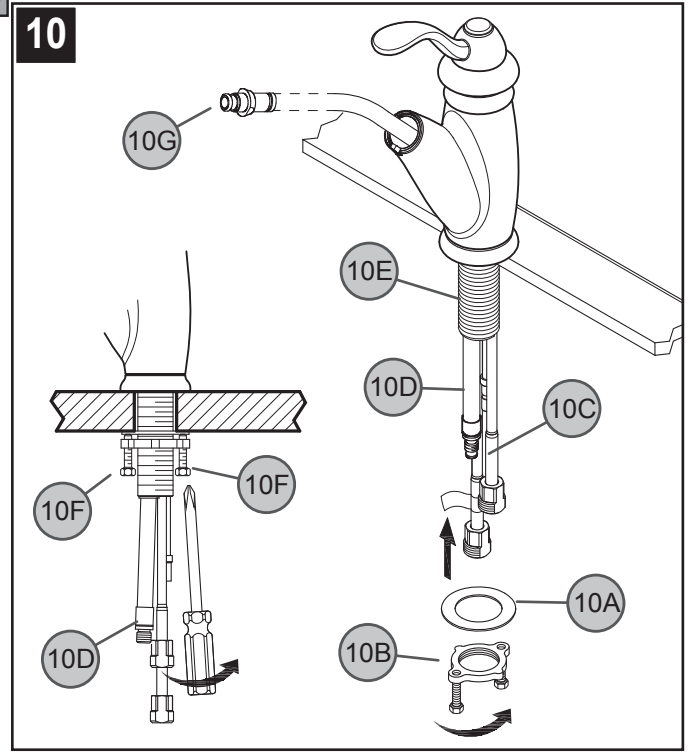
Pase el aro de poste único (8A) sobre los tubos de entrada / salida de cobre (8B) y empújelo sobre el cuerpo del grifo (8C). **Nota:** Las lengüetas (8D) en el cuerpo del grifo (8C) deben alinearse con las ranuras (8E) dentro del aro de poste único (8A). Para asegurar que así sea, gire el aro de poste único (8A). Cuando las lengüetas estén alineadas, el aro dejará de girar.



**9 INSTALACIÓN DEL GRIFO UTILIZANDO EL ARO DE POSTE**

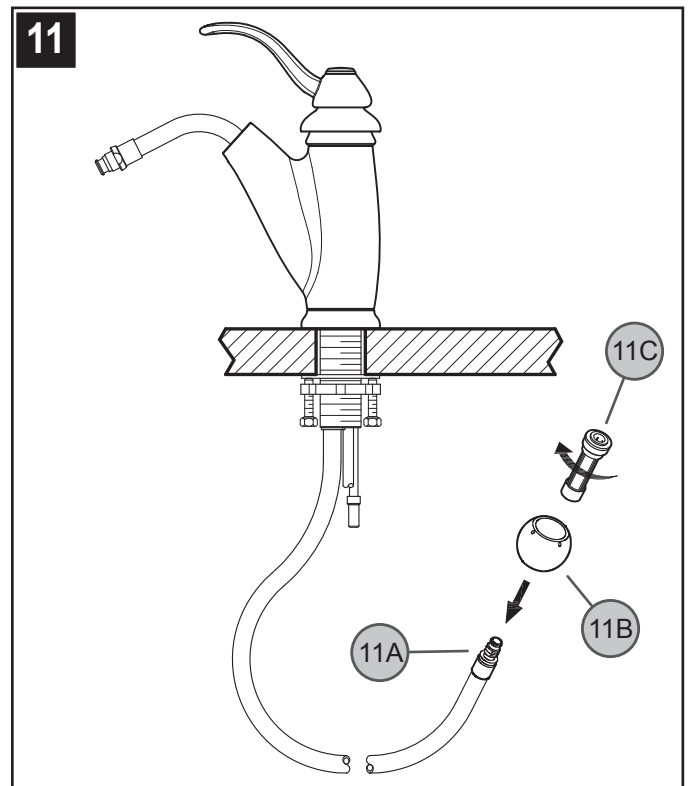
Alimente la manguera desmontable (9A) hacia arriba por el cuerpo del grifo (9B), hasta que el conector de la manguera quede a ras con el extremo inferior de la espiga de montaje (9C). Inserte los tubos de suministro del grifo (9D) y la espiga de montaje (9C) a través del agujero en el fregadero.

**Nota:** Todavía no introduzca la manguera desmontable (9A) nuevamente hacia abajo por el surtidor.



**10 INSTALACIÓN DE LA CERRAJERÍA DE MONTAJE**

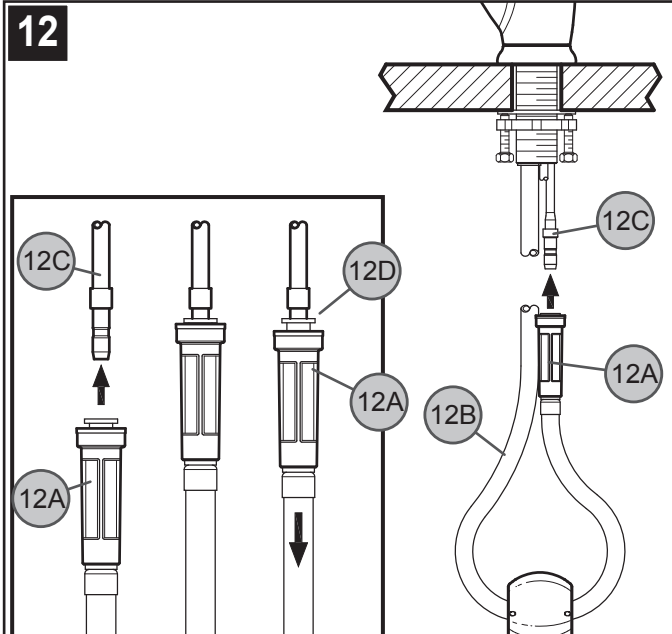
Desde abajo del fregadero, coloque la arandela (10A) y la tuerca de montaje de latón (10B) sobre los tubos de suministro (10C) y la manguera desmontable (10D). Enrosque la tuerca de montaje de latón (10B) en la espiga de montaje (10E). Con la mano, apriete la tuerca de montaje de latón (10B) a la superficie inferior del fregadero. Usando un destornillador de cruz, o un destornillador plano, apriete uniformemente los tornillos de retención (10F) de la tuerca de montaje hasta que el grifo esté firmemente sujeto al fregadero. Desde arriba del fregadero, alimente la manguera desmontable (10D) nuevamente hacia abajo a través del surtidor, hasta que la cabeza de rociado (10G) se asiente en el surtidor.



**11 CONEXIÓN DEL CONTRAPESO Y CONEXIÓN RÁPIDA**

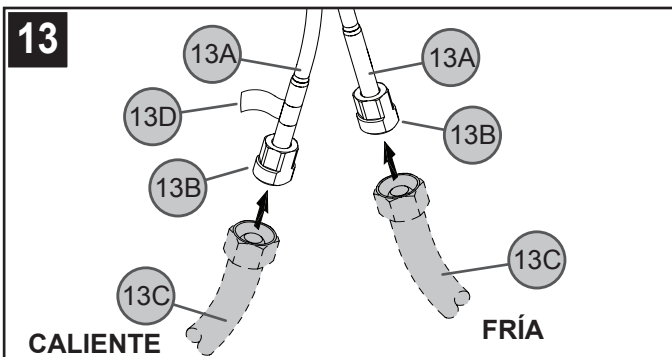
Inserte el extremo de la manguera desmontable (11A) en el contrapeso (11B). Enrosque el conector rápido (11C) en el extremo de la manguera desmontable (11A).





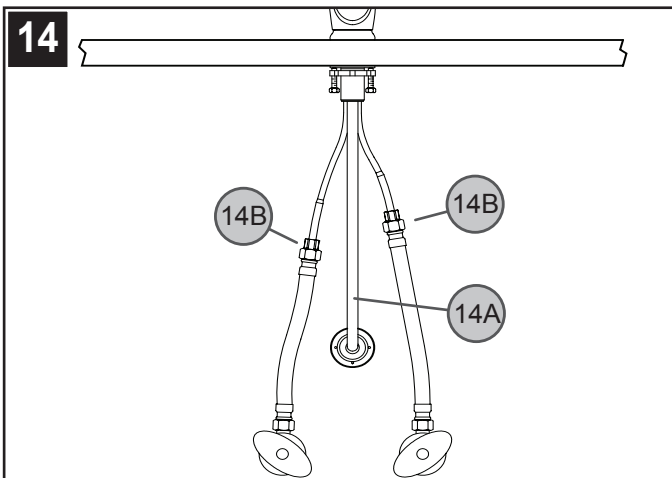
**12 CONEXIÓN DE LA MANGUERA DESMONTABLE**

Desde abajo del fregadero, empuje la caja de conexión rápida (12A) situada en el extremo de la manguera desmontable (12B) firmemente hacia arriba sobre el tubo de recibo (12C) hasta que ya no se pueda empujar más. Tire hacia abajo la caja de conexión rápida (12A). Si la caja y la boquilla interior (12D) se separan ligeramente pero no se desprenden del tubo de recibo (12C), la conexión rápida está firme.



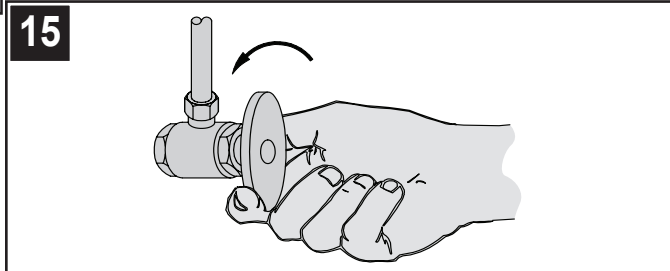
**13 CONEXIONES DE SUMINISTRO DE AGUA**

Separe suavemente los tubos de suministro de agua caliente y fría (13A) aproximadamente tres pulgadas. Conecte las líneas del suministro de agua (13C) a las entradas del grifo (13B). Conecte la línea de suministro de agua caliente al conector de entrada de agua caliente (13D) indicado con la etiqueta roja. (Las líneas de suministro y las guarniciones de fuente no son incluidas.)



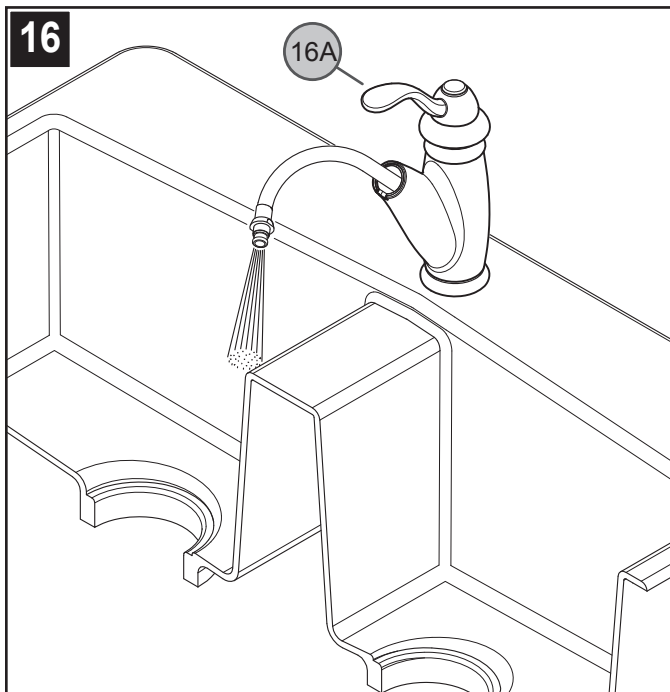
**14 INSTALACIÓN SEGURA DE LAS LÍNEAS DE ENTRADA**

No cruce la conexión de la manguera desmontable (14A) con los tubos de suministro de entrada (14B) para evitar el atascamiento, las obstrucciones y la interferencia con el movimiento de la manguera desmontable.



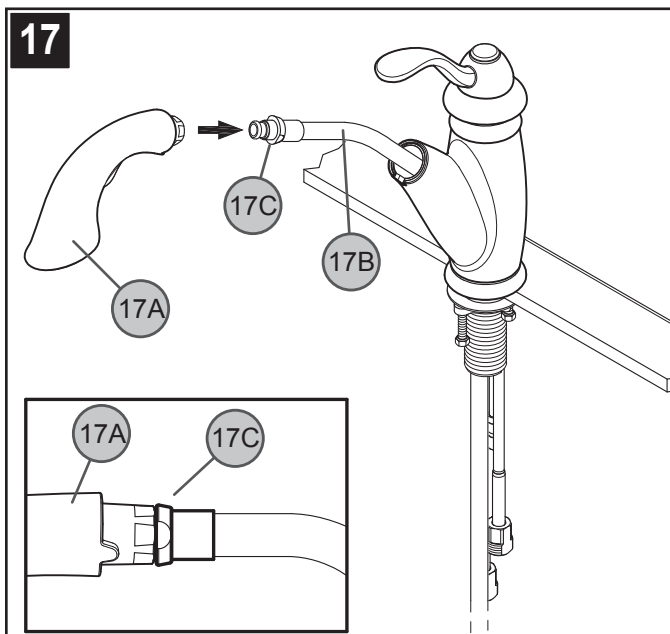
**15 FUNCIONAMIENTO INICIAL DEL GRIFO**

Abra los suministros de agua caliente y fría, y verifique que no haya fugas arriba y debajo del fregadero.



**16 ENJUAGUE**

Para impedir los daños a los componentes internos del grifo debido a residuos acumulados en las líneas de agua, será necesario purgar el grifo. Levante la manija del grifo (16A) a la posición completamente abierta. Deje correr el agua durante un minuto. Repita en las posiciones caliente y fría.



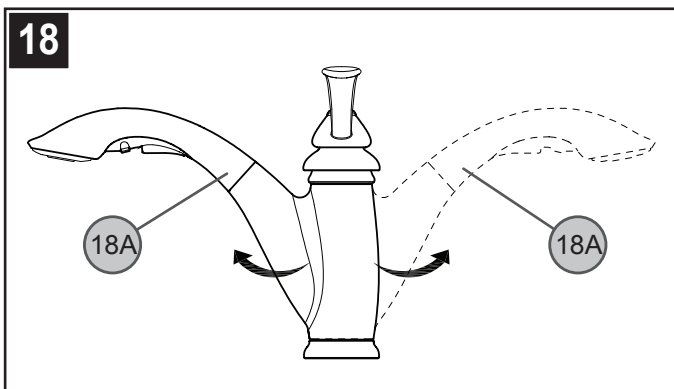
**17 INSTALACIÓN DE LA CABEZA DE ROCIADO**

Instale la cabeza de rociado (17A) en la manguera desmontable (17B) girando el conector de metal de la manguera (17C) en sentido horario.

**Precaución: No apriete demasiado.**

**FUNCIONES DEL GRIFO**

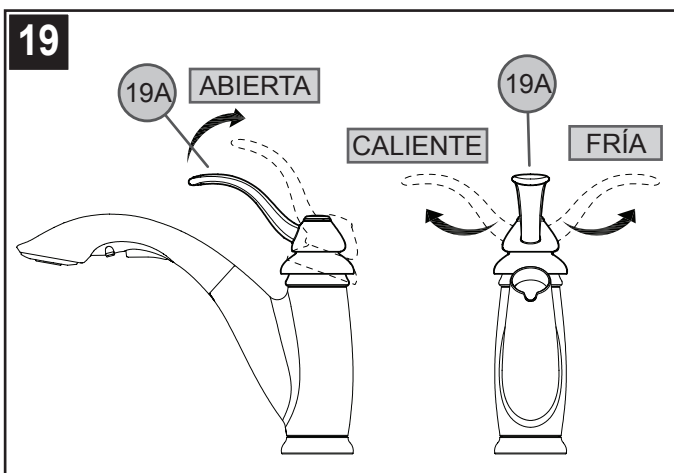
18



**18 FUNCIÓN DEL SURTIDOR**

El surtidor (18A) puede girarse alrededor del cuerpo del grifo en cualquier dirección.

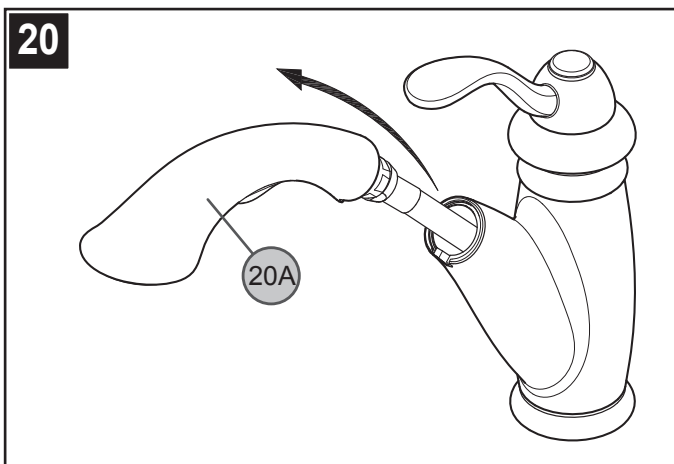
19



**19 FUNCIÓN DE LA VÁLVULA**

Al levantar la manija de palanca (19A), la válvula se activará y permitirá el flujo de agua. El flujo de agua aumentará al continuar levantando la manija de palanca (19A). Al girar la manija de palanca (19A) en sentido contrahorario, la temperatura del agua disminuirá hasta completamente fría. Al girar la manija de palanca (19A) en sentido horario, la temperatura del agua aumentará hasta completamente caliente.

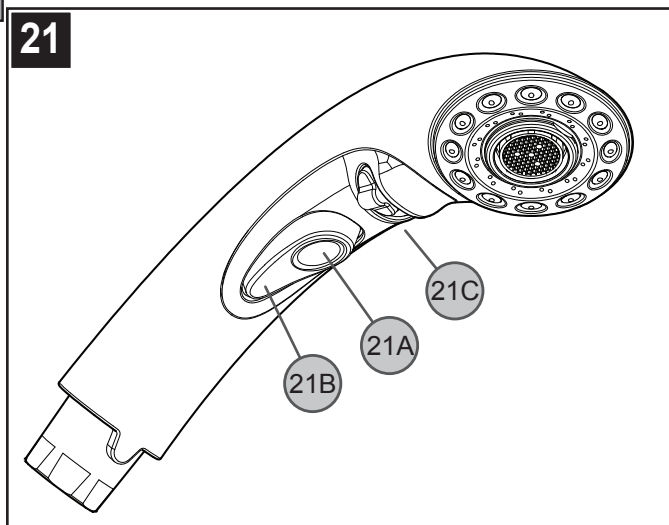
20



**20 FUNCIONAMIENTO DE LA CABEZA DE ROCIADO**

La cabeza de rociado (20A) puede tirarse hacia adelante para rociar agua en cualquier dirección.

21



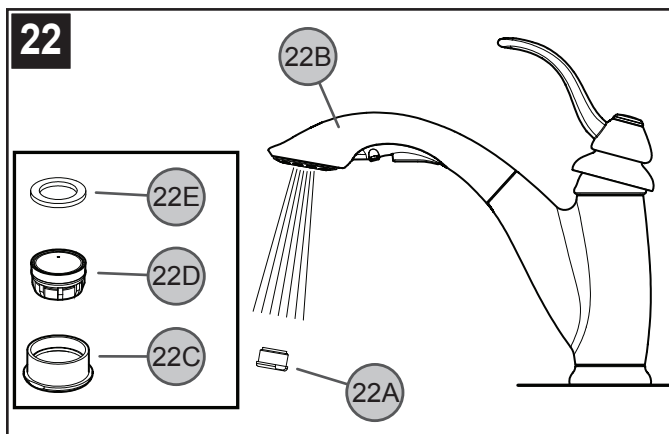
**21 ACTIVACIÓN DEL ROCIADO**

Para activar el modo de rociado, simplemente oprima el botón basculante (21A) situado debajo de la cabeza de rociado. Usted puede alternar entre rociado y flujo continuo oprimiendo los costados opuestos del botón basculante (21A/21B) mientras el grifo está abierto. Para seleccionar rociado fuerte o rociado suave, deslice el interruptor de selección de rociado (21C) de un lado a otro.

**Nota:** El grifo siempre se abrirá en el modo de flujo continuo.

**MANTENIMIENTO Y CUIDADO**

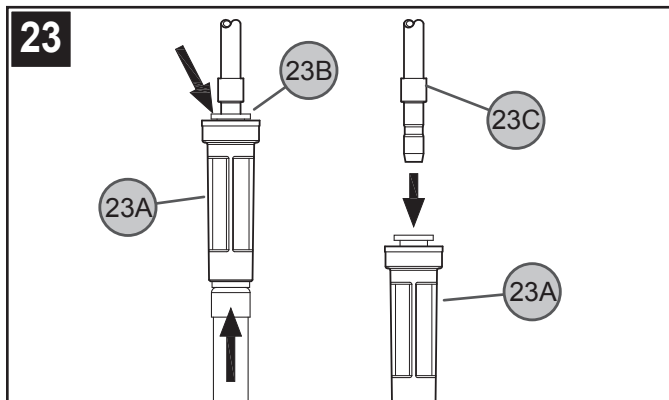
22



**22 LIMPIEZA DEL AIREADOR**

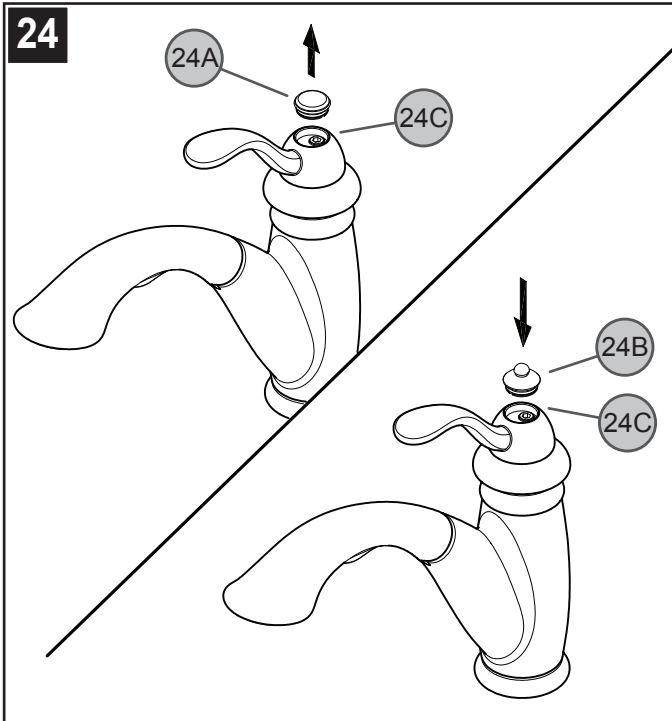
Con el tiempo, el aireador en el grifo podría taparse con residuos. Para limpiar el aireador, destornille la caja del mismo (22A) de la cabeza de rociado (22B) con una llave de boca de 7/8 pulg. o con una llave ajustable. Separe la caja del aireador (22C), el cesto del aireador (22D) y el sello plano (22E). Una vez que haya limpiado las partes, reensámblelas siguiendo estos pasos en orden inverso.

23



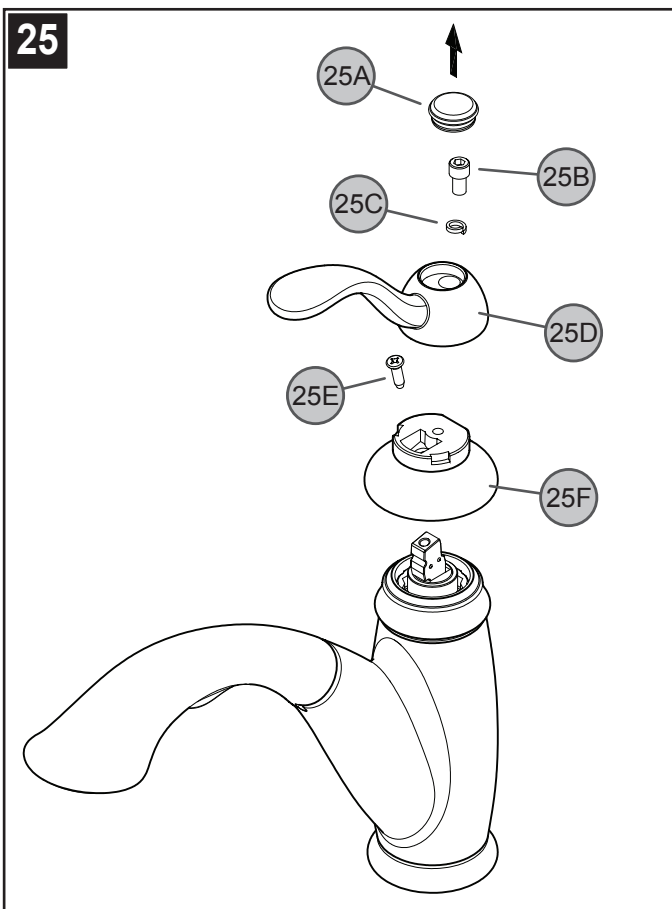
**23 RETIRO DEL ACCESORIO DE CONEXIÓN RÁPIDA**

Para quitar el accesorio de conexión rápida: Empuje hacia arriba la caja de conexión rápida (23A). Manteniendo la boquilla de plástico gris (23B) en posición, empuje hacia abajo la caja de conexión rápida (23A) hasta que el tubo (23C) se desprenda.



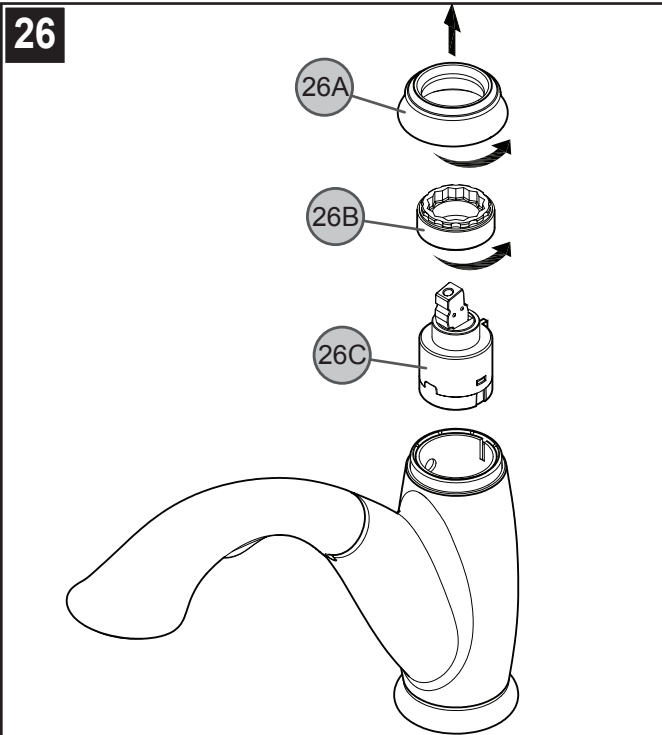
**24 PARA CAMBIAR LA TAPA DECORATIVA DE LA MANIJA**

Palanquee cuidadosamente y retire la tapa actual de la manija (24A). Empuje la tapa nueva (24C) en el agujero en el extremo superior de la manija (24D).



**25 RETIRO DE LA MANIJA**

Palanquee cuidadosamente y retire la tapa de la manija (25C) con un destornillador o cuchilla pequeña (consulte la Figura 2). Con una llave inglesa de 3/16 pulg., retire el tornillo de retención de la palanca (25B), la arandela partida (25C) y la palanca de la manija (25D). Con un destornillador Phillips, retire el tornillo de retención del faldón (25E) y el faldón de la manija (25F). Arme la manija siguiendo los pasos en orden inverso.



**26 REEMPLAZO DEL CARTUCHO**

Cierre los suministros de agua y alivie la presión antes de trabajar en el grifo (consulte la Figura 2). Retire la manija (consulte la Figura 25). Quite la tapa en forma de cúpula (26A) destornillándola en sentido contrahorario. Destornille el anillo de retención (26B) con alicates. Quite el cartucho (26C) con cuidado halándolo en forma recta hacia arriba y hacia afuera. Reensamble el grifo siguiendo los pasos en orden inverso.

Arme la manija siguiendo los pasos en orden inverso.



**PRECAUCIÓN: Mantenimiento**

**CÓMO DESARMAR:**

1. El almacén donde compró su grifo podría tener repuestos disponibles.
2. Cuando no hay repuestos disponibles, sírvase escribir o llamar al departamento de servicio al consumidor de Pfister.
3. **Siempre antes de efectuar algún trabajo en su grifo, cierre el agua y elimine la presión.**



**NOTA: Cuidado del Acabado**

**Instrucciones para limpieza:**

Para limpiar y hacer brillar las manijas y el acabado decorativo use solamente un paño suave y húmedo. El uso de pulidores, detergentes, limpiadores abrasivos, solventes orgánicos o ácidos puede provocar daños. **¡El uso de algo más que un paño suave y húmedo invalida nuestra garantía!**

**Acabados especiales:**

Los productos con acabados que contienen porcelana u otras sustancias similares no son aceptables para áreas públicas ni para usos comerciales. ¡Su instalación bajo tales circunstancias es bajo el riesgo del usuario!



**1-800-PFAUCET (1-800-732-8238)**

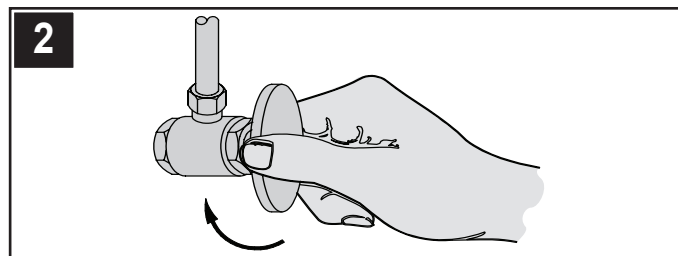
Para obtener información mediante llamadas gratis, llame al 1-800-PFAUCET (1-800-732-8238) o visite [www.pfisterfaucets.com](http://www.pfisterfaucets.com)

- Apoyo a instaladores
- Información sobre cuidado y garantías

Merci d'avoir acheté ce produit Pfister. Tous les produits Pfister sont fabriqués avec soin et contrôlés à l'usine pour offrir une longue durée de service sans problème dans des conditions d'utilisation normales. Il est facile de poser ce produit à l'aide d'un outillage de base et de nos illustrations très claires. Pour toute question concernant ce produit, appeler le 1-800-Pfaucet (1-800-732-8238).

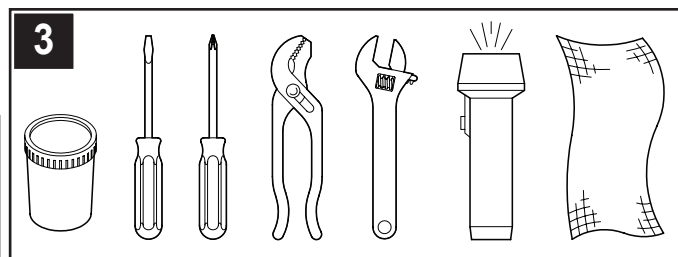
## 1 AVANT DE PROCÉDER À LA POSE

**AVERTISSEMENT** : lire attentivement toutes les instructions avant de procéder à la pose. Pfister recommande de faire appel à un professionnel en cas d'incertitude quant à l'installation de ce produit !  
Ce produit doit être installé conformément à l'ensemble de la réglementation locale et provinciale applicable à la plomberie et à la construction.



## 2 COUPURE DE L'ARRIVÉE D'EAU

Repérer les arrivées d'eau et fermer leurs robinets. Ces robinets se trouvent généralement sous le lavabo ou à côté du compteur d'eau. En cas de remplacement d'un robinet existant, le déposer du lavabo et nettoyer soigneusement la surface de ce dernier.



## 3 OUTILLAGE RECOMMANDÉ

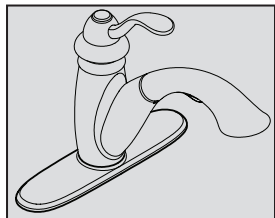
- Mastic de plombier
- Tournevis plat
- Tournevis cruciforme
- Pince
- Clé à molette
- Lampe de poche
- Chiffon

L'installation peut exiger des tuyaux d'arrivée et/ou des vannes d'arrêt neufs, ou d'autres outils. Consulter le magasin dans lequel le robinet a été acheté pour connaître les branchements susceptibles d'être exigés par les conditions locales.

# INSTALLATION

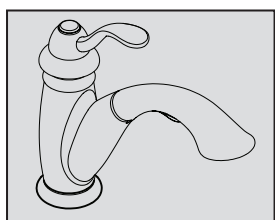
**4** Ces instructions s'appliquent à quatre installations différentes :

En cas de pose sur évier à 3 trous à l'aide de l'applique:



Passer à l'étape 5

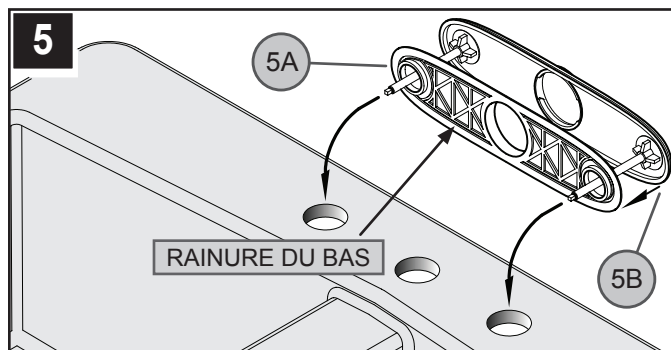
Pour 1 installation de trou à l'aide du poteau simple: :



Passer à l'étape 8

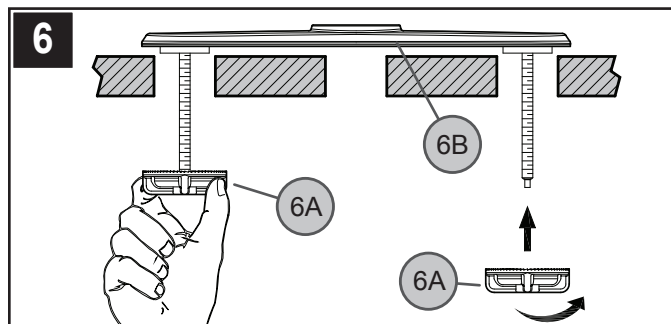
**AVERTISSEMENT** : ne pas poser le mitigeur en utilisant à la fois la bague de montage unique et l'applique.

## INSTALLATION 3-HOLE À L'AIDE L'APPLIQUE



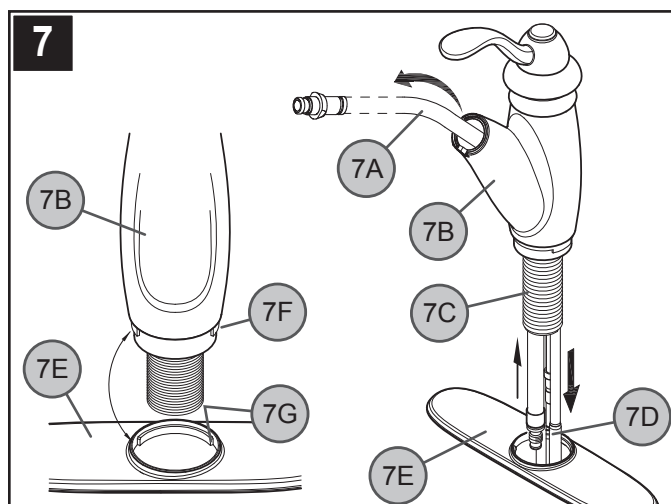
### 5 POSE DE L'APPLIQUE

S'assurer que la plaque de masticage en plastique (5A) est appuyée sur l'applique (5B). Appliquer un cordon de mastic de plombier dans la rainure qui longe le bord extérieur de la plaque de masticage (5A). Mettre l'applique (5B) en place par-dessus les 3 trous de l'évier.



### 6 FIXATION DE L'APPLIQUE AU PLATEAU DE MONTAGE

Depuis le dessous de l'évier, serrer les écrous à oreilles (6A). **Attention** : ne pas trop serrer les écrous à oreilles. Enlever tout excédent de mastic du pourtour du bord extérieur de l'applique (6B).



### 7 POSE DU MITIGEUR À L'AIDE DE L'APPLIQUE

Rétracter le flexible extensible (7A) en le faisant remonter dans le corps (7B) du mitigeur jusqu'à ce que son raccord affleure au bas de la queue de montage (7C). Insérer les tubes (7D) d'arrivée au mitigeur et la queue de montage (7C) dans le trou de l'applique (7E). **Remarque** : les languettes (7F) du corps (7B) du mitigeur et les rainures (7G) à l'intérieur de l'applique (7E) doivent être alignées. Pour s'assurer qu'il en est bien ainsi, faire pivoter le corps (7B) du mitigeur dans un sens et dans l'autre. Le mitigeur s'arrête de tourner une fois que les languettes sont alignées.

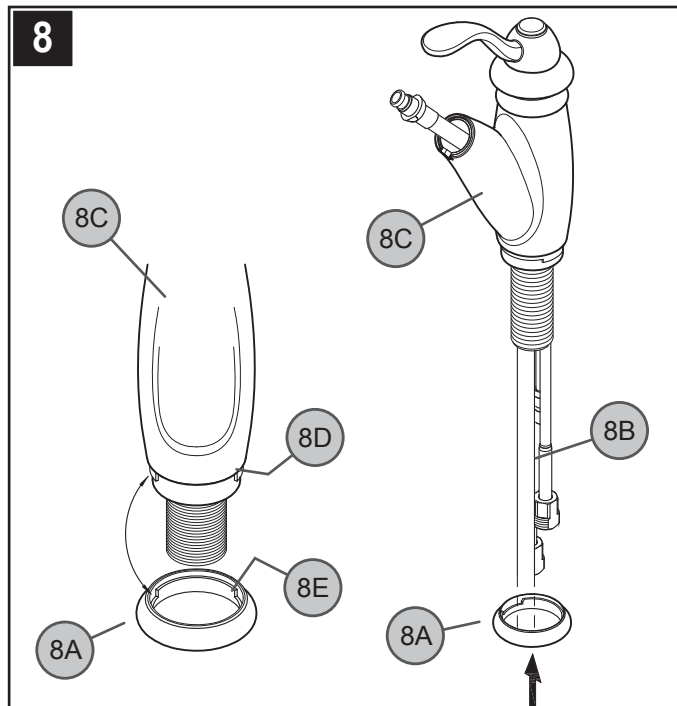
**Remarque** : ne pas encore faire redescendre le flexible extensible par le bec.

STOP

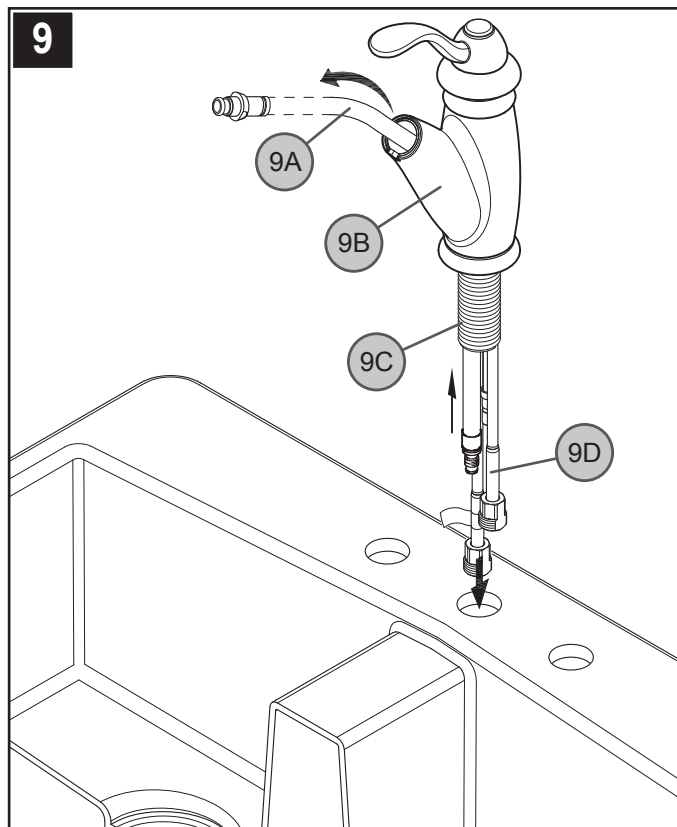
Passer à l'étape 10



## POUR 1 INSTALLATION DE TROU À L'AIDE DU POTEAU SIMPLE

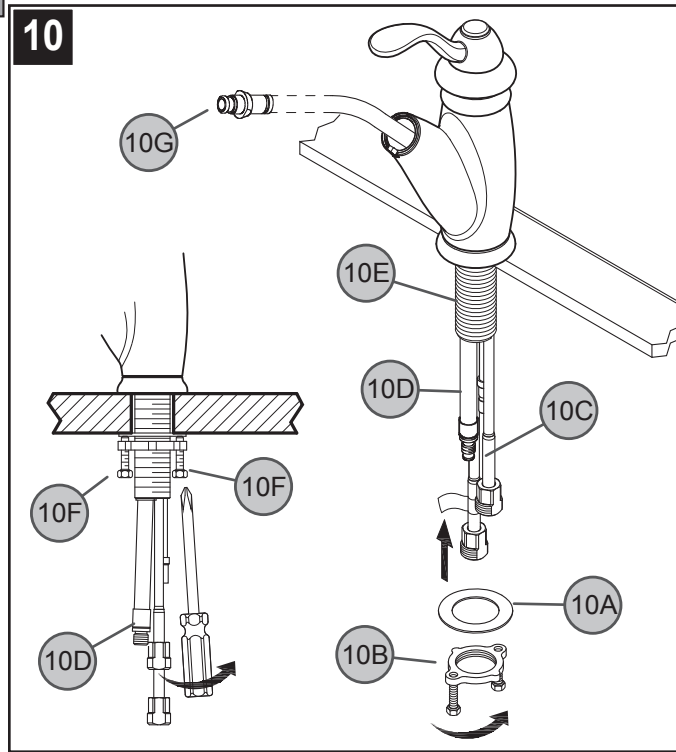
**8 POSE DE LA BAGUE DE MONTAGE UNIQUE**

Faire passer la bague de montage unique (8A) par-dessus les tubes d'arrivée et d'évacuation en cuivre (8B) et l'enfoncer sur le corps (8C) du mitigeur. **Remarque :** les languettes (8D) du corps (8C) du mitigeur et les rainures (8E) à l'intérieur de la bague de montage unique (8A) doivent être alignées. Pour s'assurer qu'il en est bien ainsi, faire tourner la bague de montage unique (8A). Elle cesse de tourner lorsque les languettes sont alignées.

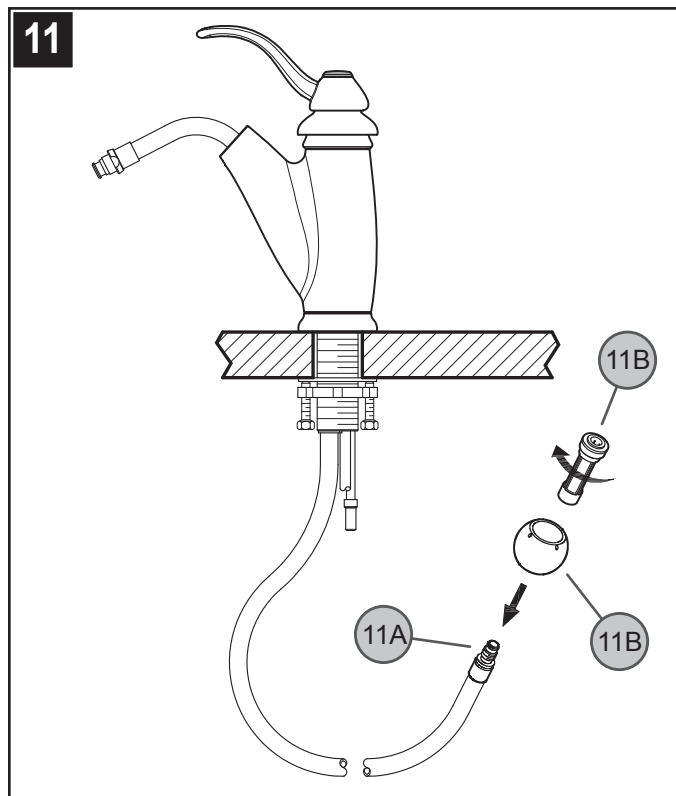
**9 POSE DU MITIGEUR À L'AIDE DE LA BAGUE DE MONTAGE UNIQUE**

Enfiler le flexible extensible (9A) en le faisant remonter dans le corps (9B) du mitigeur jusqu'à ce que son raccord affleure au bas de la queue de montage (9C). Insérer les tubes (9D) d'arrivée au mitigeur et la queue de montage (9C) dans le trou de l'évier.

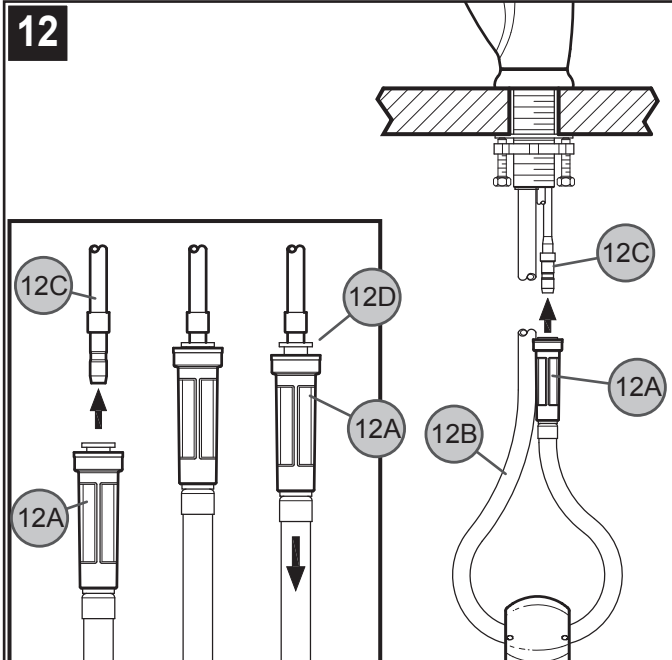
**Remarque :** ne pas encore faire redescendre le flexible extensible par le bec.

**10 POSE DU PETIT MATÉRIEL DE MONTAGE**

Depuis le dessous de l'évier, enfilez la rondelle (10A) et l'écrou de montage en laiton (10B) par-dessus les tuyaux d'arrivée (10C) et le flexible extensible (10D). Visser l'écrou de montage en laiton (10B) sur la queue de montage (10E). Serrez à la main l'écrou de support en laiton au dessous de l'évier. Employez un tournevis de philips, ou une tournevis encoché, serrez également les vis de retenue (10F) de l'écrou de support avec une clé jusqu'à ce que le mitigeur soit fixé solidement à l'évier. Depuis le dessus de l'évier, faire redescendre le flexible extensible (10D) par le bec jusqu'à ce que la douchette se mette en place dans le bec.

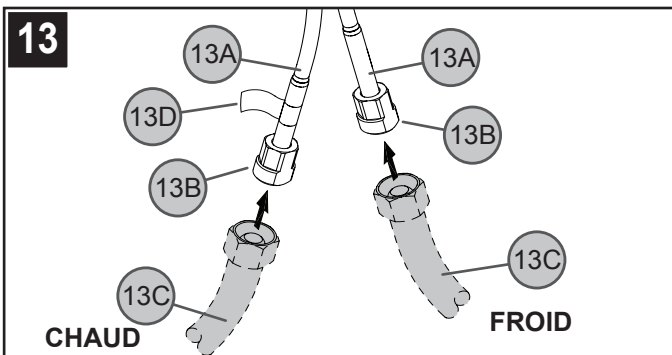
**11 FIXATION DE LA MASSE ET RACCORD RAPIDE**

Insérer l'extrémité du flexible extensible (11A) dans la masse (11B). Les serrer le boîtier le connecteur rapide (11C) à l'extrémité du flexible extensible (11A).



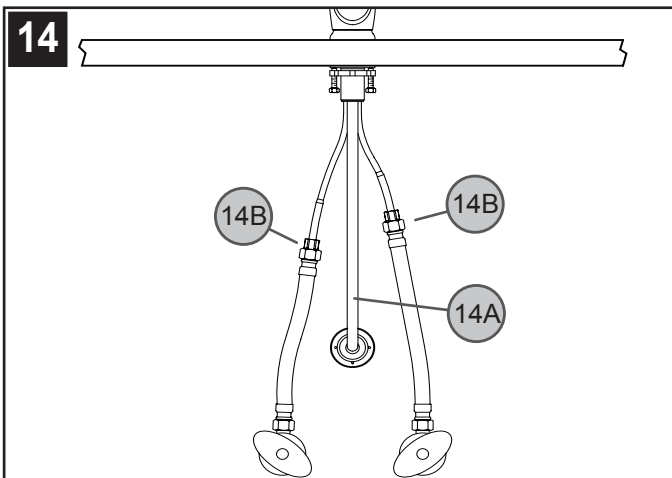
### 12 RACCORDEMENT DU FLEXIBLE EXTENSIBLE

Depuis le dessous de l'évier, pousser le boîtier de raccord rapide (12B) qui se trouve à l'extrémité du flexible extensible (12A) fermement à fond vers le haut sur le tube récepteur (12C). Tirer vers le bas sur le boîtier de raccord rapide (12B). Si le boîtier et le récepteur intérieur (12D) se séparent légèrement sans se désaccoupler, le raccord rapide du tube récepteur (12C) est bien assujéti.



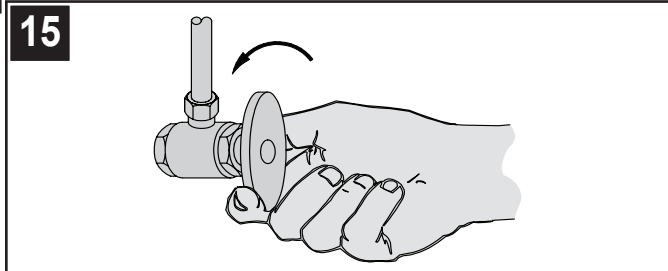
### 13 RACCORDEMENTS DES ARRIVÉES D'EAU

Écarter avec précaution les tubes d'arrivée d'eau chaude et d'eau froide (13A) d'environ 7,6 cm (3 po). Reliez l'arrivée d'eau (13C) aux entrées du robinet (13B). Raccordez le tuyau d'arrivée d'eau chaude au raccord correspondant (13D) indiqué par l'étiquette rouge. (Tuyaux d'arrivée d'eau et garnitures ne sont pas incluses).



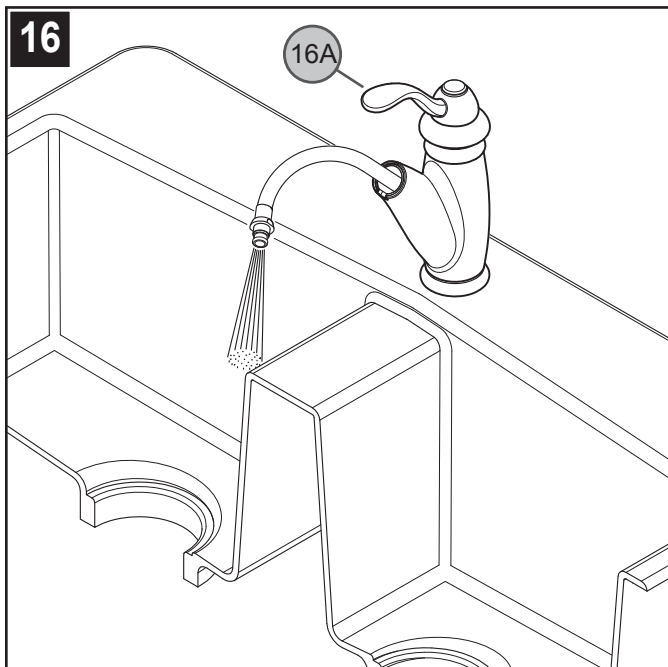
### 14 FIXATION DES TUYAUX D'ARRIVÉE

Ne pas croiser le branchement (14A) du flexible extensible et les tuyaux d'arrivée d'eau (14B) pour éviter qu'ils se coincent et que le mouvement du flexible extensible soit gêné.



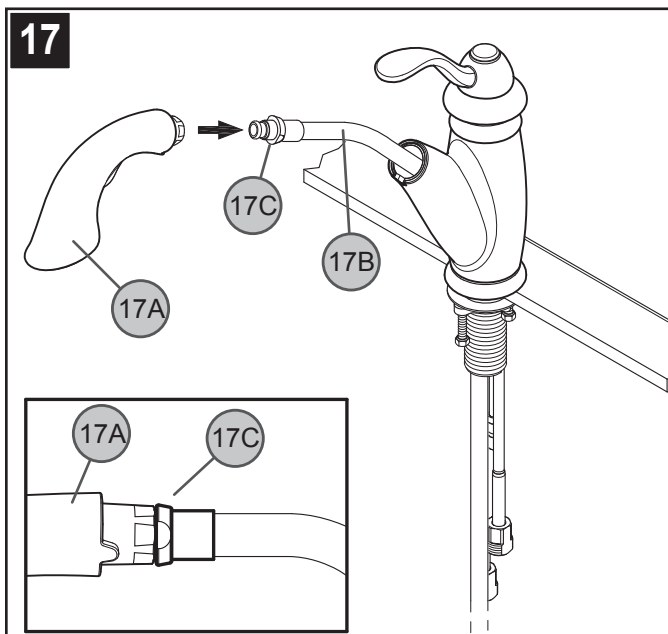
### 15 MISE EN SERVICE DU MITIGEUR

Ouvrir les robinets d'arrivée d'eau chaude et d'eau froide, puis vérifier le dessus et le dessous de l'évier pour voir s'il y a des fuites.



### 16 RINÇAGE

Pour éviter que les pièces internes du mitigeur ne soient endommagées par des débris pouvant s'être accumulés dans les tuyauteries d'eau, il est nécessaire de rincer le mitigeur. Soulever la manette (16A) du mitigeur au maximum. Faire couler l'eau pendant une minute. Répéter l'opération dans les positions eau chaude et eau froide.



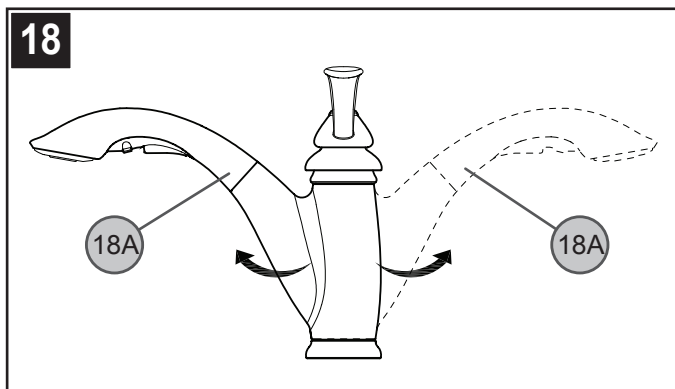
### 17 POSE DE LA DOUCHETTE

Monter la douchette (17A) sur le flexible extensible (17B) en tournant le raccord métallique (17C) dans le sens horaire.

**Attention : ne pas trop serrer la douchette.**

## FONCTIONNEMENT DU MITIGEUR

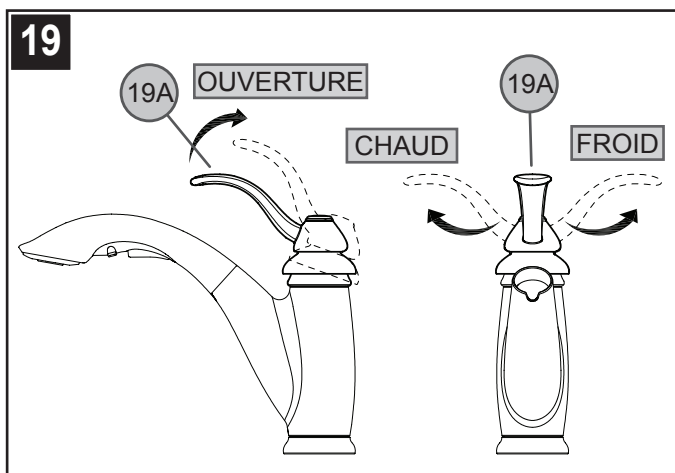
18



### 18 FONCTIONNEMENT DU BEC

Le bec (18A) peut pivoter dans n'importe quel sens autour du corps du mitigeur.

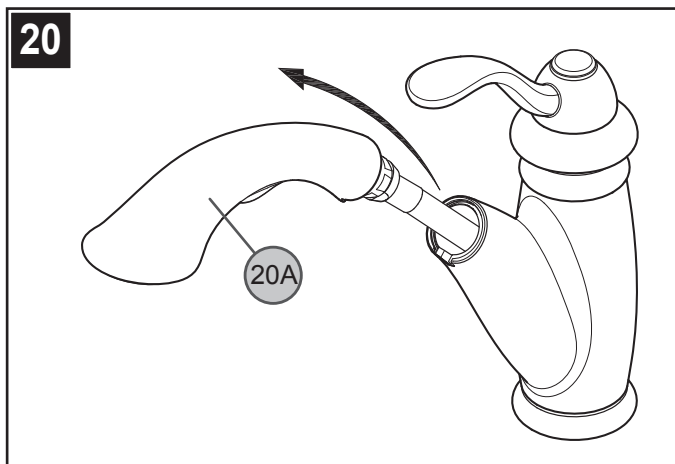
19



### 19 FONCTIONNEMENT DU ROBINET

Le relevage de la manette (19A) active le robinet pour permettre à l'eau de couler. Le débit augmente au fur et à mesure que l'on relève la manette (19A). Lorsqu'on tourne la manette (19A) dans le sens antihoraire, la température de l'eau baisse jusqu'à ce que celle-ci soit tout à fait froide. Lorsqu'on tourne la manette (19A) dans le sens horaire, la température de l'eau augmente jusqu'à ce que celle-ci soit très chaude.

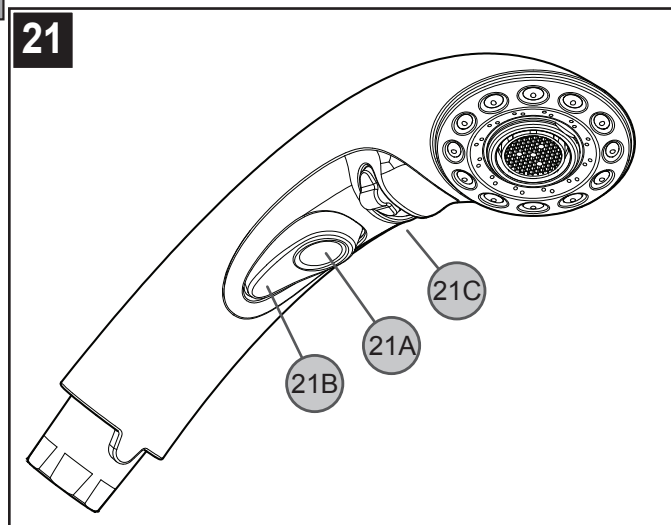
20



### 20 FONCTIONNEMENT DE LA DOUCHETTE

La douchette (20A) peut être tirée vers l'avant pour pulvériser de l'eau dans toute direction.

21



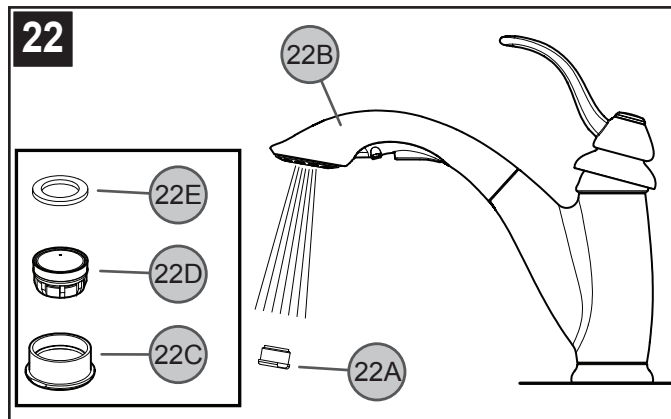
### 21 ACTIVATION DE LA PULVÉRISATION

Pour activer le mode de pulvérisation, il suffit d'appuyer sur le bouton à bascule (21A) qui se trouve sous la douchette. Il est possible d'alterner entre pulvérisation et écoulement en appuyant sur les côtés opposés du bouton à bascule (21A/21B) alors que le mitigeur est ouvert. Pour choisir entre pulvérisation à pression maximum et pulvérisation à pression normale, il suffit de faire glisser le sélecteur de pression de pulvérisation (21C) d'un côté à l'autre.

Remarque : le mitigeur s'ouvre toujours en mode d'écoulement normal.

## ENTRETIEN ET SOINS

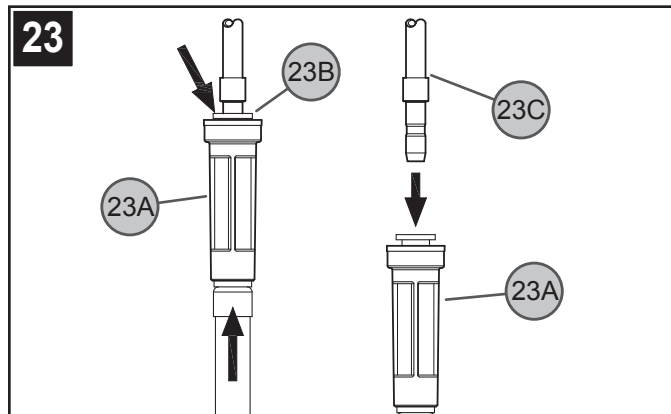
22



### 22 NETTOYAGE DE L'AÉRATEUR

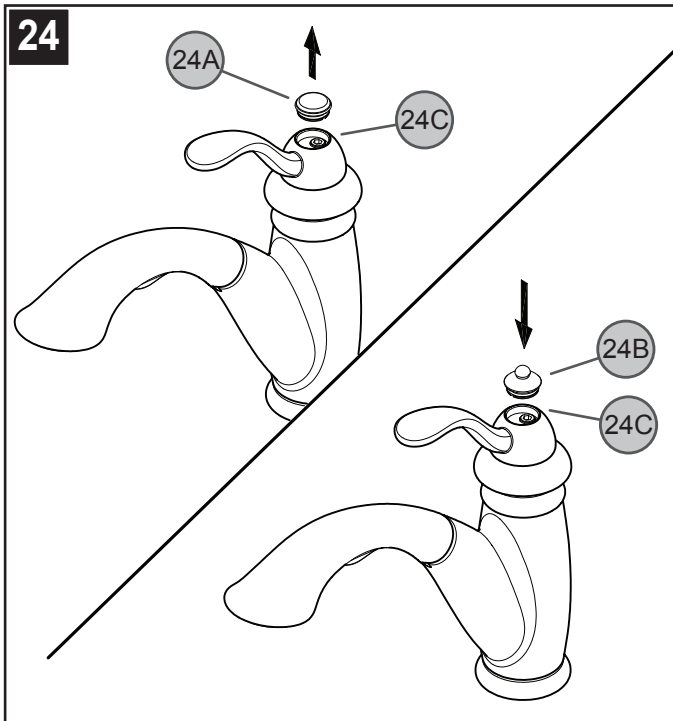
Avec le temps, il peut arriver que des débris obstruent l'aérateur du mitigeur. Pour nettoyer l'aérateur, dévisser son boîtier (22A) de la douchette (22B) à l'aide d'une clé à fourches de 7/8 po ou d'une clé à molette. Séparer le boîtier (22C), la crépine (22D) et le joint plat (22E) de l'aérateur. Une fois que ces pièces ont été nettoyées, les réassembler en inversant l'ordre de ces opérations.

23



### 23 DÉBRANCHEMENT DU RACCORD RAPIDE

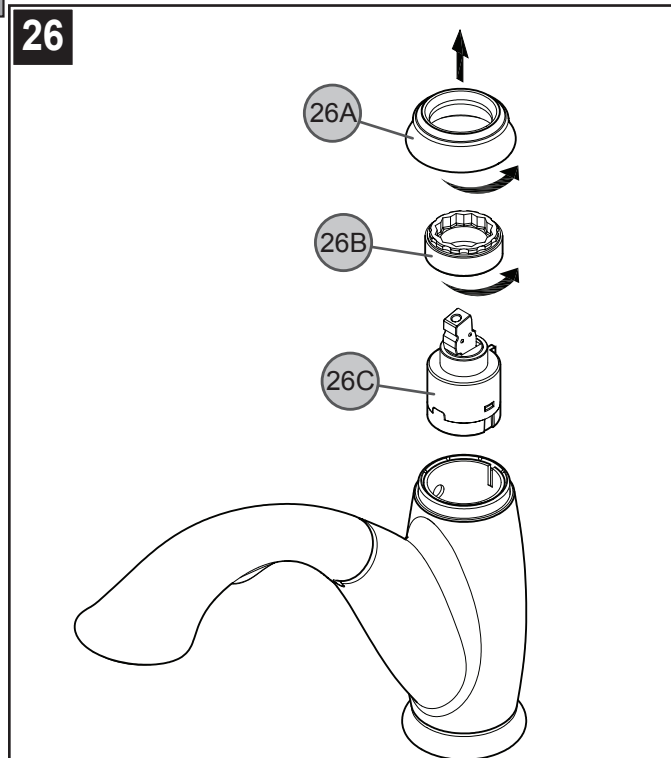
Pour débrancher le raccord rapide, pousser son boîtier (23A) vers le haut. Tout en maintenant le manchon gris en plastique (23B) en place, tirer le boîtier (23A) de raccord rapide vers le bas jusqu'à ce que le tube (23C) soit libéré.



#### 24 REMPLACEMENT DU CAPUCHON DÉCORATIF DE MANETTE

Faire levier avec précaution sur le capuchon décoratif existant (24A). Enfoncer le capuchon neuf (24B) dans le trou percé dans le haut de la manette (24C).

26



#### 26 REMPLACEMENT DE LA CARTOUCHE

Couper les arrivées d'eau et dépressuriser avant de travailler sur le mitigeur (voir la Figure 2). Retirer la manette (voir la Figure 25). Retirer le capuchon bombé (26A) en le tournant dans le sens antihoraire. Dévisser l'anneau de blocage (26B) à l'aide d'une pince. Enlever la cartouche (26C) avec précaution en la tirant droit vers le haut.

Remonter le mitigeur en inversant l'ordre des opérations.



#### ATTENTION : entretien

##### Démontage :

1. Il se peut que les pièces de rechange soient disponibles dans le magasin dans lequel le mélangeur a été acheté.
2. Lorsque des pièces de rechange ne sont pas disponibles, bien vouloir contacter le département du service après-vente de Pfister par courrier ou par téléphone.
3. Toujours couper les arrivées d'eau et dépressuriser avant de travailler sur le mélangeur.

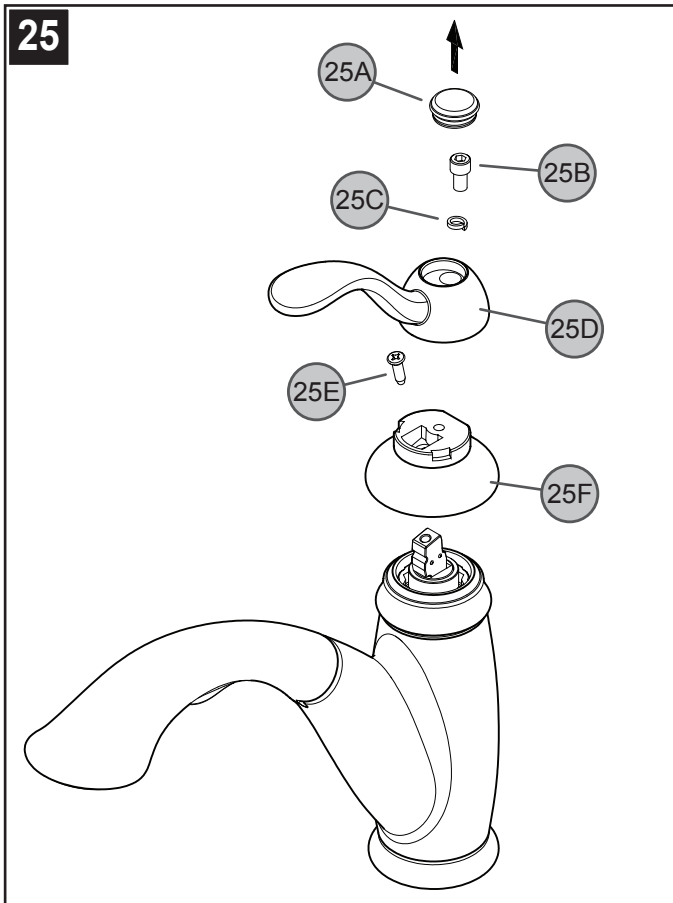


#### REMARQUE : entretien des garnitures

##### Instructions de nettoyage :

N'utiliser qu'un chiffon humide pour nettoyer et polir toutes les manettes et ornements décoratives. L'utilisation de pâte à polir, de détergents, de produits nettoyants abrasifs, de solvants organiques ou d'acide peut endommager ces pièces. **L'utilisation d'autre chose qu'un chiffon humide annulera la garantie !**

**Garnitures spéciales :** les garnitures contenant de la porcelaine ou une autre substance similaire ne sont pas acceptables dans les lieux publics ou les établissements commerciaux. La pose de telles garnitures se fait aux risques de l'utilisateur.



#### 25 DÉPOSE DE LA MANETTE

Faire levier avec précaution sur le capuchon décoratif (25A) (voir la Figure 24) à l'aide d'un petit tournevis ou couteau. Retirer la vis de retenue (25B) de la manette, la rondelle Grower (25C) et la manette (25D) à l'aide d'une clé Allen de 3/16 po. Retirer la vis de retenue (25E) de collerette et la collerette (25F) de manette à l'aide d'un tournevis cruciforme.

Remonter la manette en inversant l'ordre des opérations.



**1-800-PFAUCET (1-800-732-8238)**

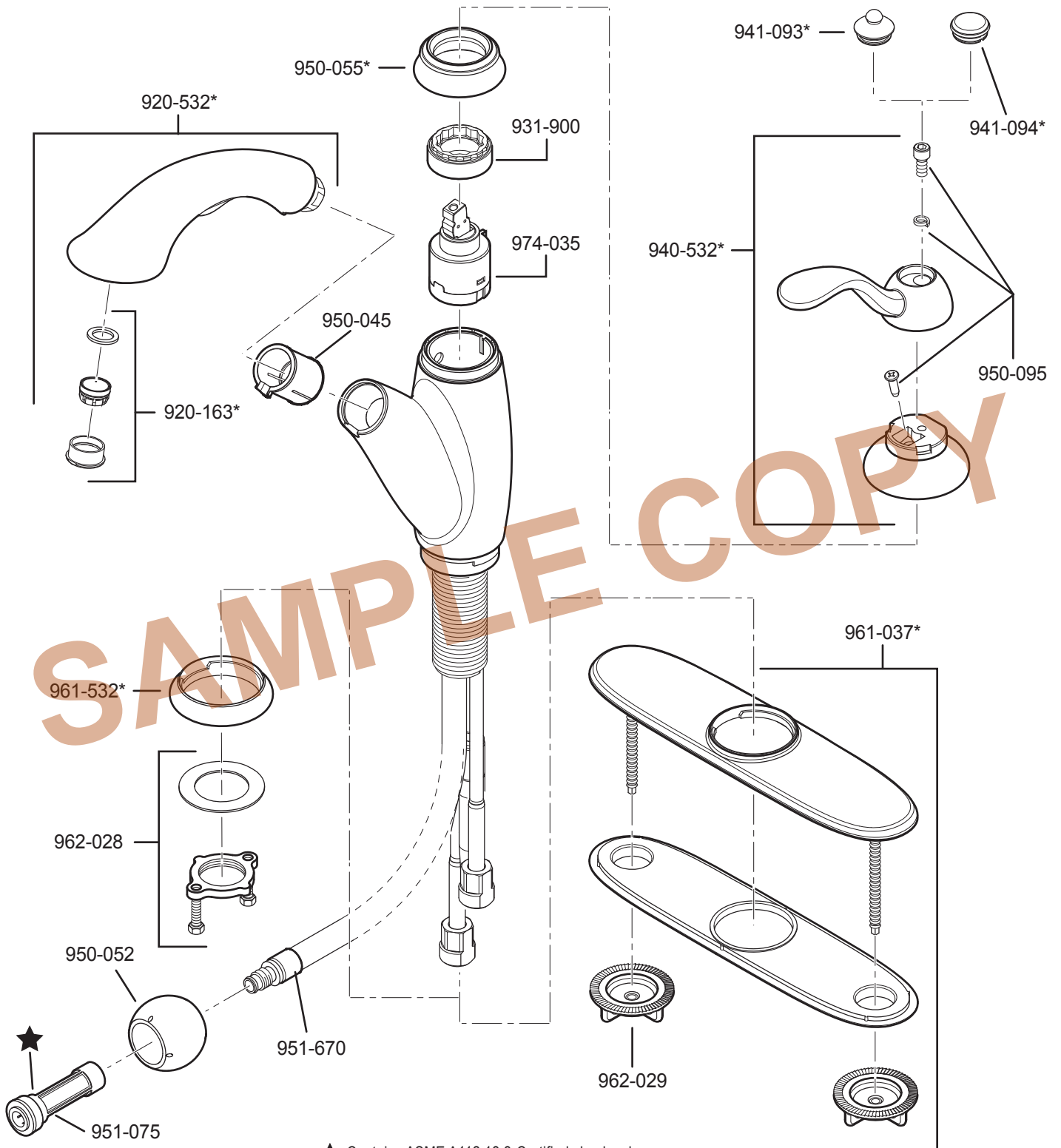
Pour les renseignements concernant le service sans frais de Pfister, appelez 1-800-PFAUCET (1-800-732-8238) appel ou visite [www.pfisterfaucets.com](http://www.pfisterfaucets.com)

- Aide pour le montage
- Renseignements sur l'entretien et la garantie





# LG532-7



★ Contains ASME A112.18.3-Certified check valves  
 Contiene válvulas de chequeo certificadas por ASME A112.18.3  
 Contient des valves de contrôle certifiées par ASME A112.18.3

	English	Español	Français
★	Letter Designates Finish	La Letra Indica el Terminado	La Lettre Designe La Fini
A	Polished Chrome	Cromo Pulido	Chrome Poli
S	Stainless Steel	Acero Inoxidable	Acier Inoxydable
Y	Tuscan Bronze	Bronce Toscano	Bronze Le Toscan

# Pfister™

19701 DaVinci  
 Lake Forest, CA 92610  
 Phone: 1-800-Pfaucet  
 www.pfisterfaucets.com

**Spectrum** Brands | Hardware & Home Improvement