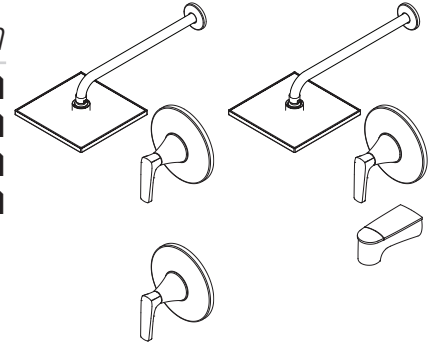


- R89-1MFC Finish(C) G89-7MFC Finish(C)
- R89-1MFK Finish(K) G89-7MFK Finish(K)
- G89-8MFC Finish(C)
- G89-8MFK Finish(K)



Specifications

- All Metal Construction
- Pforever Seal

Features

- 2.0 GPM Flow Rate
- All Metal Construction
- Brass Ball Joints
- Raincan Showerhead (R89 excluded)
- Secure Pfit
- Shower Only (7MF Only)
- Tub & Shower (8MF Only)
- Pforever Seal Ceramic Disc Valves
- Pforever Warranty®

Code Compliance

Pfister products are designed and manufactured in compliance with the following standards and codes:

- IAPMO Certified
- CSA B125 Certified
- ASME A112.18.1
- Cal Green Compliant
- NSF 61/9 Annex G (Low lead)
- EPA WaterSense Certification 2.0 gpm, 7.8 L/Min
- ADA Compliant-ANSI A117.1 (Lever handles only)



Dimensions

