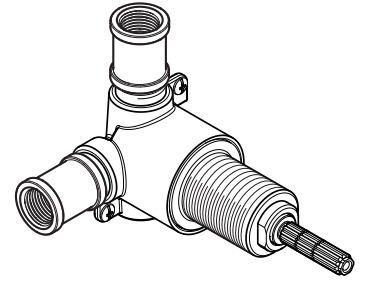


In-Wall Diverter Valve

015-4WDX Finish(XX)



Specifications

Features

- All Metal Construction
- Pforever Warranty®

- All Metal Construction
- Pforever Warranty®

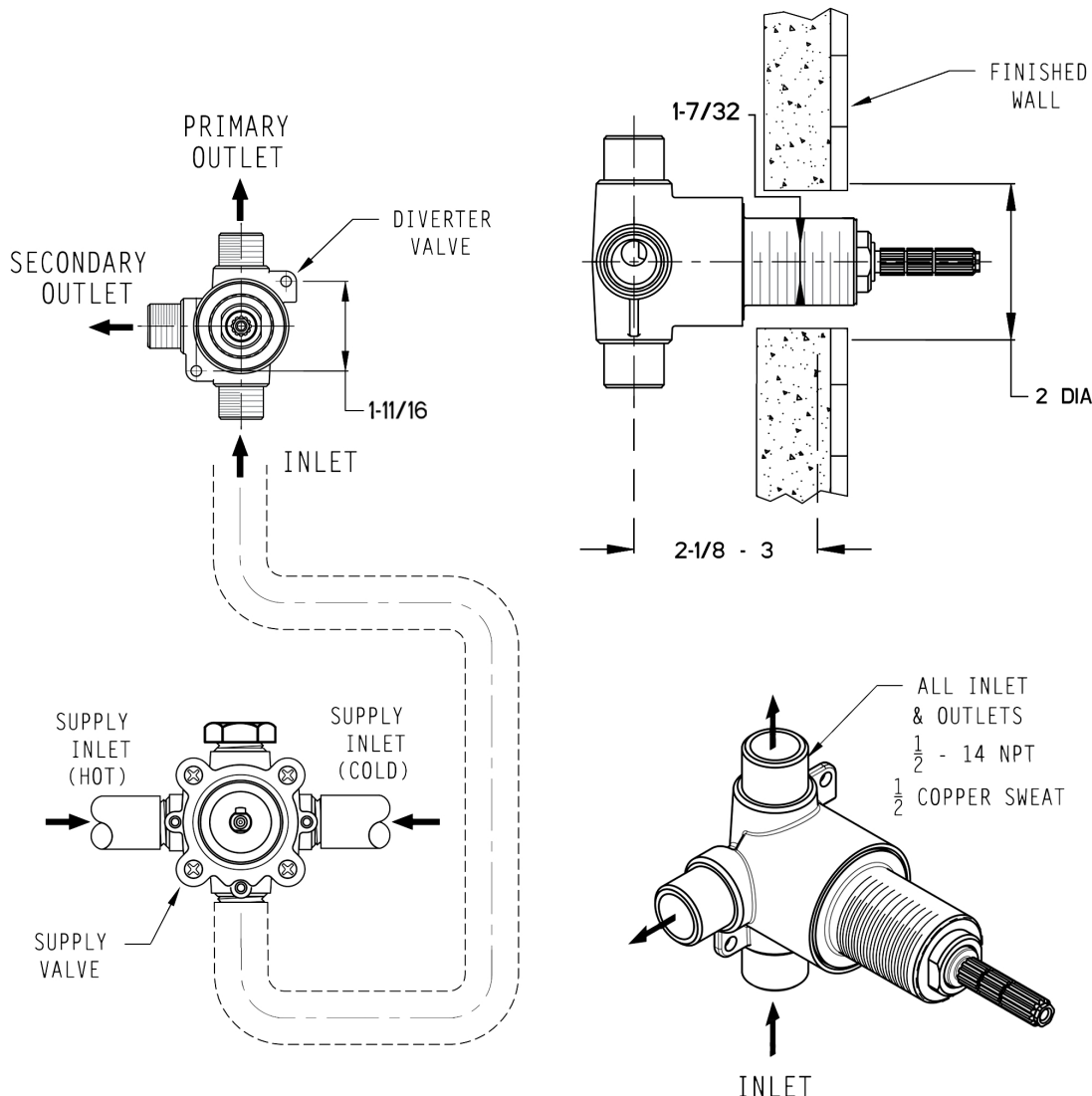
Code Compliance

Pfister products are designed and manufactured in compliance with the following standards and codes:

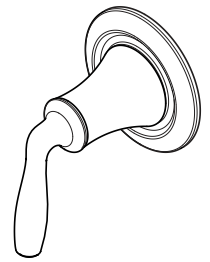


- IAPMO Certified
- CSA B125 Certified
- ASME A112.18.1
- ADA Compliant-ANSI A117.1 (Lever handles only)

Dimensions



- 016-TR1C Finish(C)
- 016-TR1D Finish(D)
- 016-TR1K Finish(K)
- 016-TR1Y Finish(Y)



Specifications

Features

- All Metal Construction
- Pforever Warranty®

- All Metal Construction

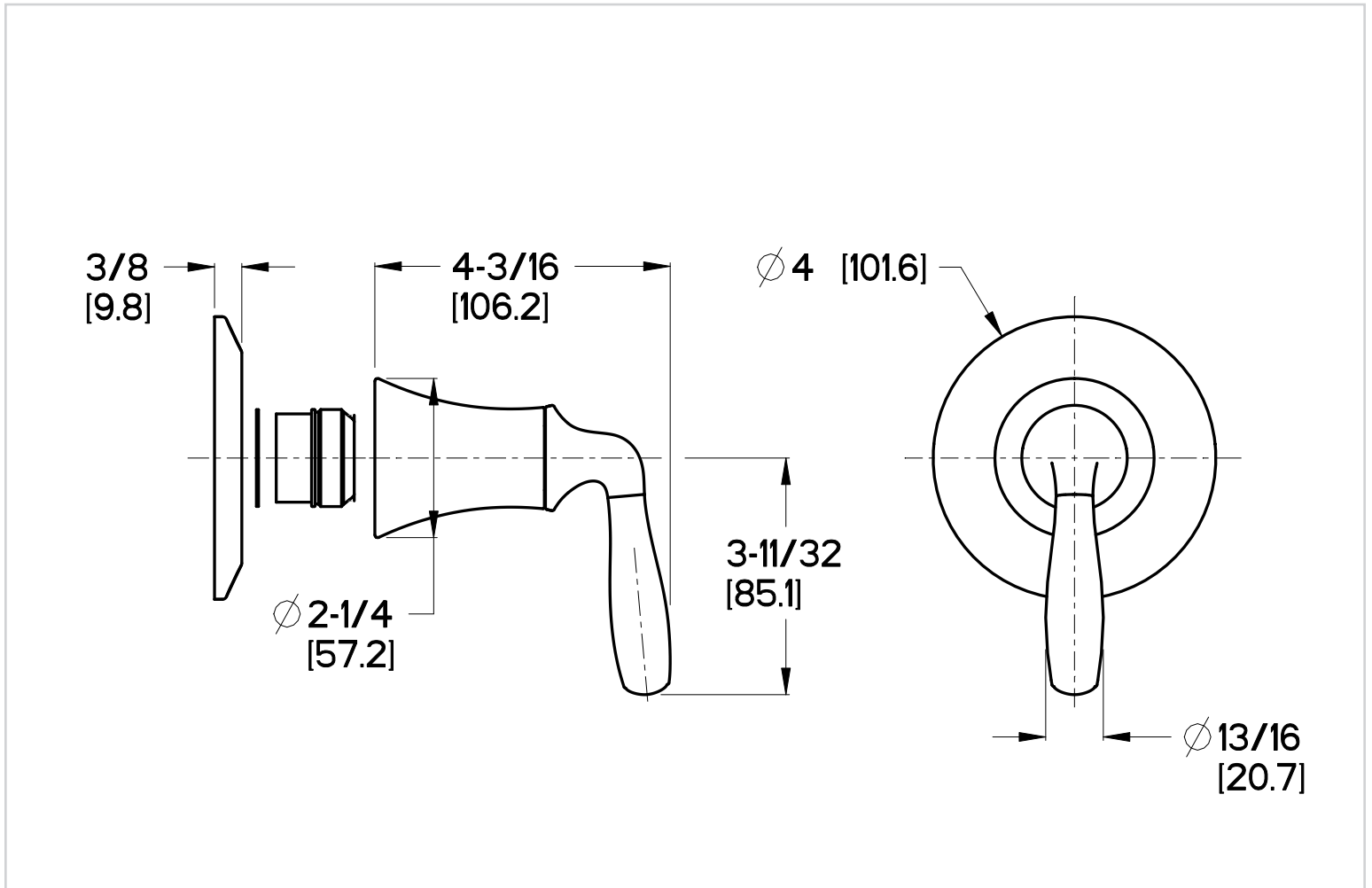
Code Compliance

Pfister products are designed and manufactured in compliance with the following standards and codes:

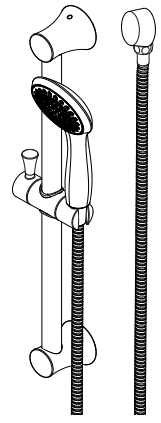
- IAPMO Certified
- CSA B125 Certified
- ASME A112.18.1
- ADA Compliant-ANSI A117.1 (Lever handles only)



Dimensions



- G16-3TRC Finish(C)
- G16-3TRD Finish(D)
- G16-3TRK Finish(K)
- G16-3TRY Finish(Y)



Specifications

Features

- 60" Hose
- Pforever Warranty®

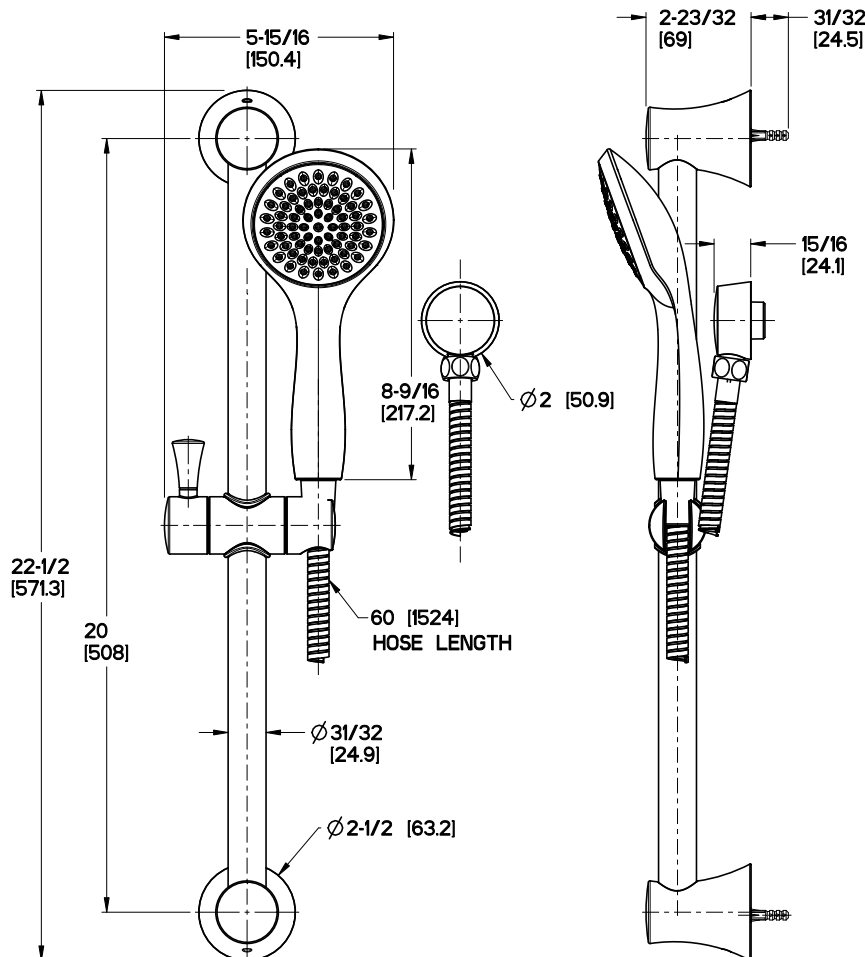
Code Compliance

Pfister products are designed and manufactured in compliance with the following standards and codes:

- IAPMO Certified
- CSA B125 Certified
- ASME A112.18.1
- Cal Green Compliant
- EPA WaterSense Certification 1.5 gpm, 5.7L/Min
- ADA Compliant-ANSI A117.1 (Lever handles only)



Dimensions



- | | |
|---|---|
| G89-7TRC Finish(C) <input type="checkbox"/> | G89-8TRC Finish(C) <input type="checkbox"/> |
| G89-7TRD Finish(D) <input type="checkbox"/> | G89-8TRD Finish(D) <input type="checkbox"/> |
| G89-7TRK Finish(K) <input type="checkbox"/> | G89-8TRK Finish(K) <input type="checkbox"/> |
| G89-7TRY Finish(Y) <input type="checkbox"/> | G89-8TRY Finish(Y) <input type="checkbox"/> |



Specifications

- Lever Handle
- Trim Only, Valve Not Included

Features

- All Metal Construction
- Multi-Function Shower Head
- Pforever Warranty®

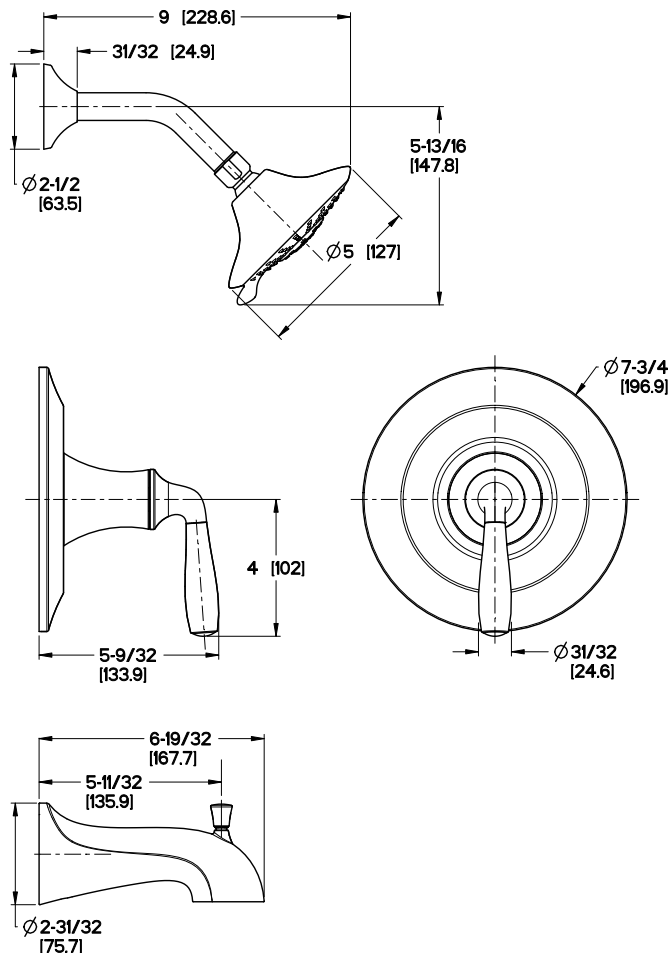
Code Compliance

Pfister products are designed and manufactured in compliance with the following standards and codes:

- IAPMO Certified
- CSA B125 Certified
- ASME A112.18.1
- ASSE 1016
- Cal Green Compliant
- EPA WaterSense Certification 1.5 gpm, 5.7L/Min
- ADA Compliant-ANSI A117.1 (Lever handles only)



Dimensions



ϕ 1 Min to ϕ 1-1/2 Max. Deck Hole Openings