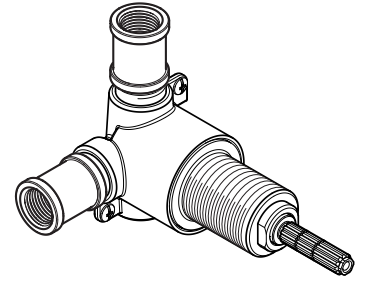


In-Wall Diverter Valve

015-4WDX Finish(XX)



Specifications

Features

- All Metal Construction
- Pforever Warranty®

- All Metal Construction
- Pforever Warranty®

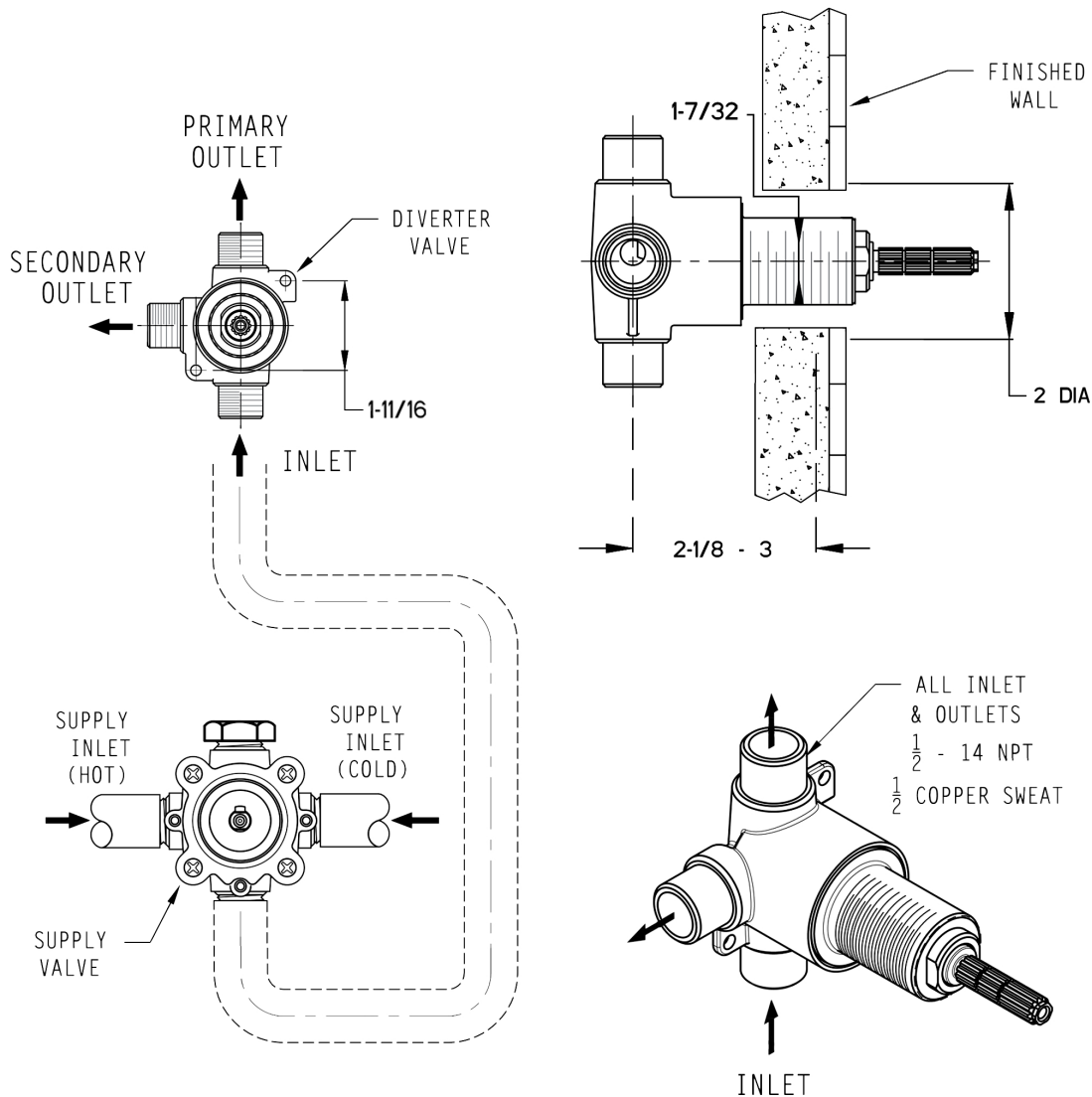
Code Compliance

Pfister products are designed and manufactured in compliance with the following standards and codes:



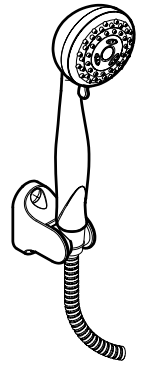
- IAPMO Certified
- CSA B125 Certified
- ASME A112.18.1
- ADA Compliant-ANSI A117.1 (Lever handles only)

Dimensions



Pfirst Series™ Hand-Held Shower

- | | |
|--|--|
| O16-200C Finish(CC) <input type="checkbox"/> | G16-200C Finish(CC) <input type="checkbox"/> |
| O16-200K Finish(KK) <input type="checkbox"/> | G16-200K Finish(KK) <input type="checkbox"/> |
| O16-200U Finish(UU) <input type="checkbox"/> | G16-200U Finish(UU) <input type="checkbox"/> |
| O16-200Y Finish(YY) <input type="checkbox"/> | G16-200Y Finish(YY) <input type="checkbox"/> |



Specifications

- Valve Not Included
- 3 Function Hand Shower
- Includes Back Flow Prevention System
- 60" Metal Hose with Matching Finish

Features

- 28" Brass Slide Bar
- 3 Function Hand Shower with Dual Check Valves
- 60" Metal Hose with Matching Finish
- Includes Back Flow Prevention
- Includes Hand Shower, Hose, Slide Bar, and Drop Elbow
- Self-Cleaning Spray Head
- 2.5 GPM Shower Head (O16 Only)
- 2.0 GPM Shower Head (G16 Only)
- Pforever Warranty®

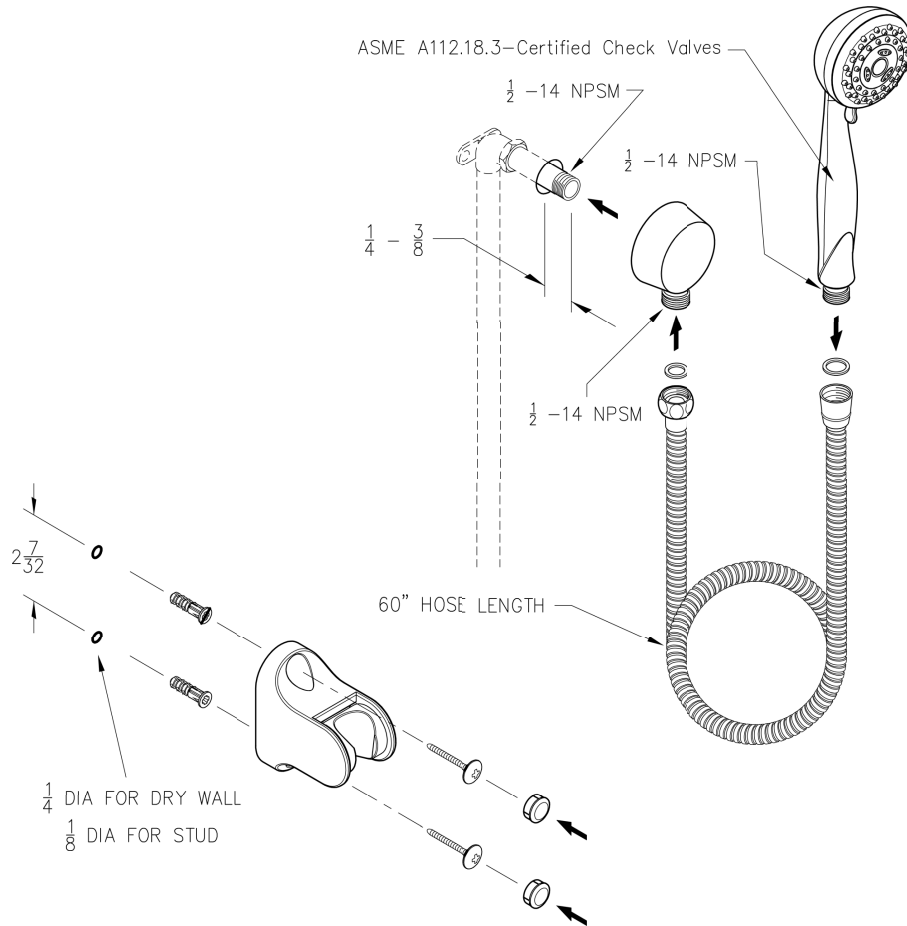
Code Compliance

Pfister products are designed and manufactured in compliance with the following standards and codes:

- IAPMO Certified
- CSA B125 Certified
- ASME A112.18.1
- Cal Green Compliant (O16 Only)



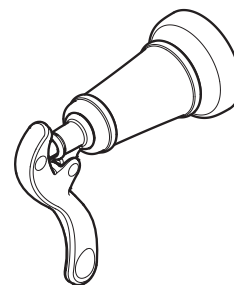
Dimensions



Ashfield™

Diverter Trim

- 016-YPOC Finish(CC)
- 016-YPOK Finish(KK)
- 016-YPOU Finish(UU)
- 016-YPOY Finish(Y)



Specifications

Features

- All Metal Construction
- Pforever Warranty®

- All Metal Construction

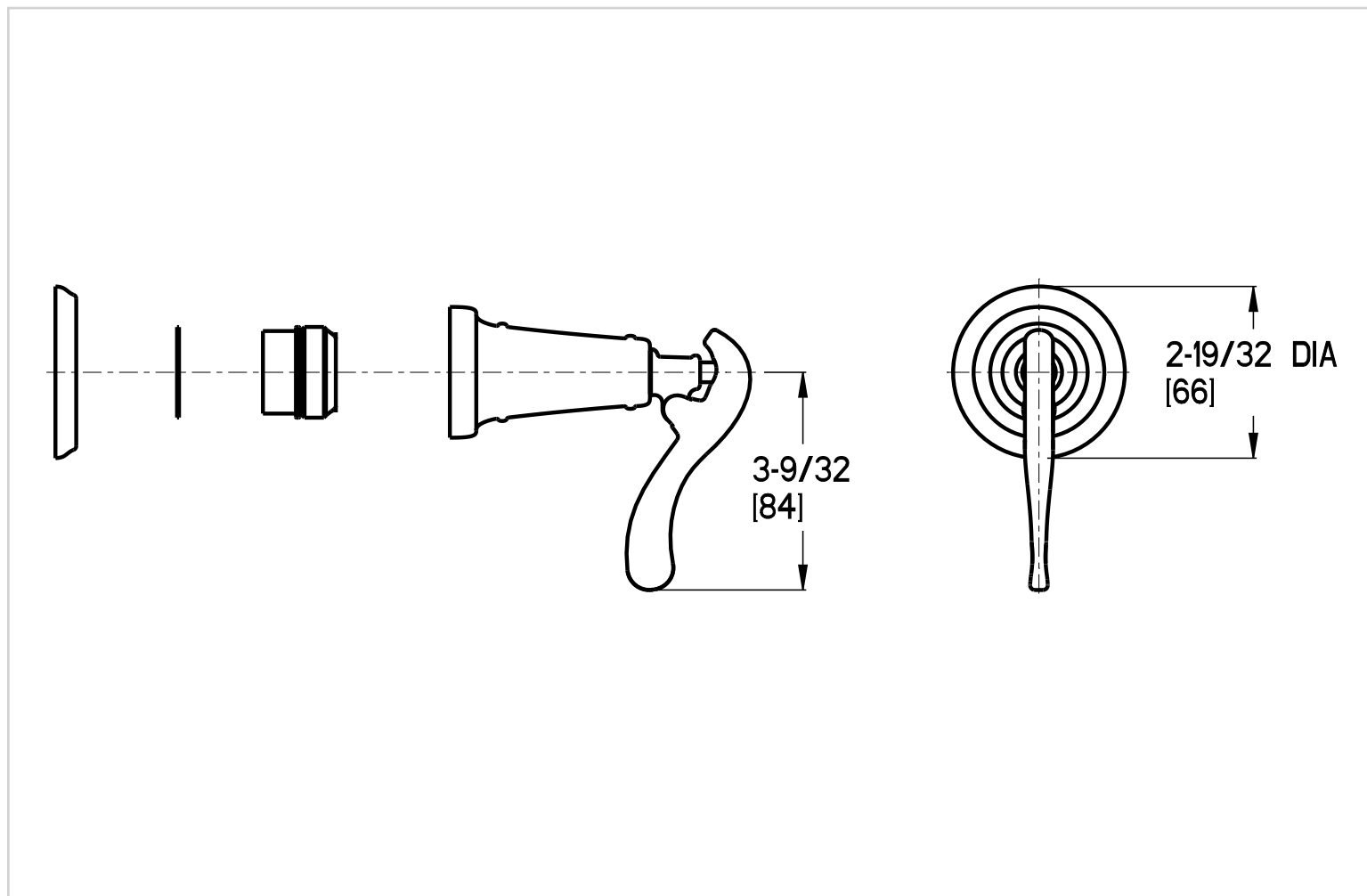
Code Compliance

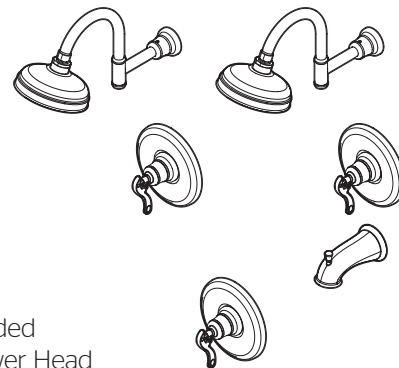
Pfister products are designed and manufactured in compliance with the following standards and codes:

- IAPMO Certified
- CSA B125 Certified
- ASME A112.18.1
- ADA Compliant-ANSI A117.1 (Lever handles only)



Dimensions





- R89-1YPC Finish(CC) R89-1YPU Finish(UU) R89-7YPU Finish(UU) R89-8YPU Finish(UU)
R89-1YPK Finish(KK) R89-1YPY Finish(Y Y) R89-7YPY Finish(Y Y) R89-8YPY Finish(Y Y)

- Single Control
- Trim Only, Valve Not Included
- Decorative Rain Can Shower Head

Specifications

Features

- Complete Collection with Coordinating Lavatory and Roman Tub Options
- Lever Handle
- Quick Trim Installation- Attaches Without Tools, No Exposed Screws
- 2.5 GPM Shower Head
- Fits OX8 and JX8 Valve Bodies
- Metal Shower Arm and Flange
- Fits TX8, and VB8 Valve Bodies (1YP Only)
- Valve Only (1YP Only)
- Shower Only (7YP Only)
- Trim Only, Valve Not Included
- Tub & Shower (8YP Only)
- Threaded Tub Spout (8YP Only)
- Decorative Rain Can Shower Head
- Easy Clean Nozzles
- Pforever Warranty®

Code Compliance

Pfister products are designed and manufactured in compliance with the following standards and codes:

- IAPMO Certified
- CSA B125 Certified
- ASME A112.18.1
- ADA Compliant-ANSI A117.1 (Lever handles only)



Dimensions

