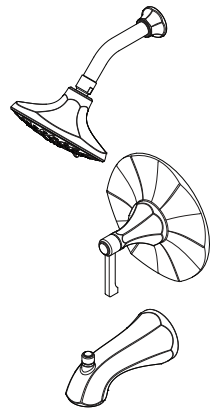


Arterra™ Shower Trim

- | | |
|---|---|
| G89-7DEC Finish(C) <input type="checkbox"/> | G89-8DEC Finish(C) <input type="checkbox"/> |
| G89-7DED Finish(D) <input type="checkbox"/> | G89-8DED Finish(D) <input type="checkbox"/> |
| G89-7DEK Finish(K) <input type="checkbox"/> | G89-8DEK Finish(K) <input type="checkbox"/> |
| G89-7DEY Finish(Y) <input type="checkbox"/> | G89-8DEY Finish(Y) <input type="checkbox"/> |



Specifications

- Trim Only, Valve Not Included

Features

- 2.0 GPM
- All Metal Construction
- Multi-Function Shower Head
- Pforever Warranty®

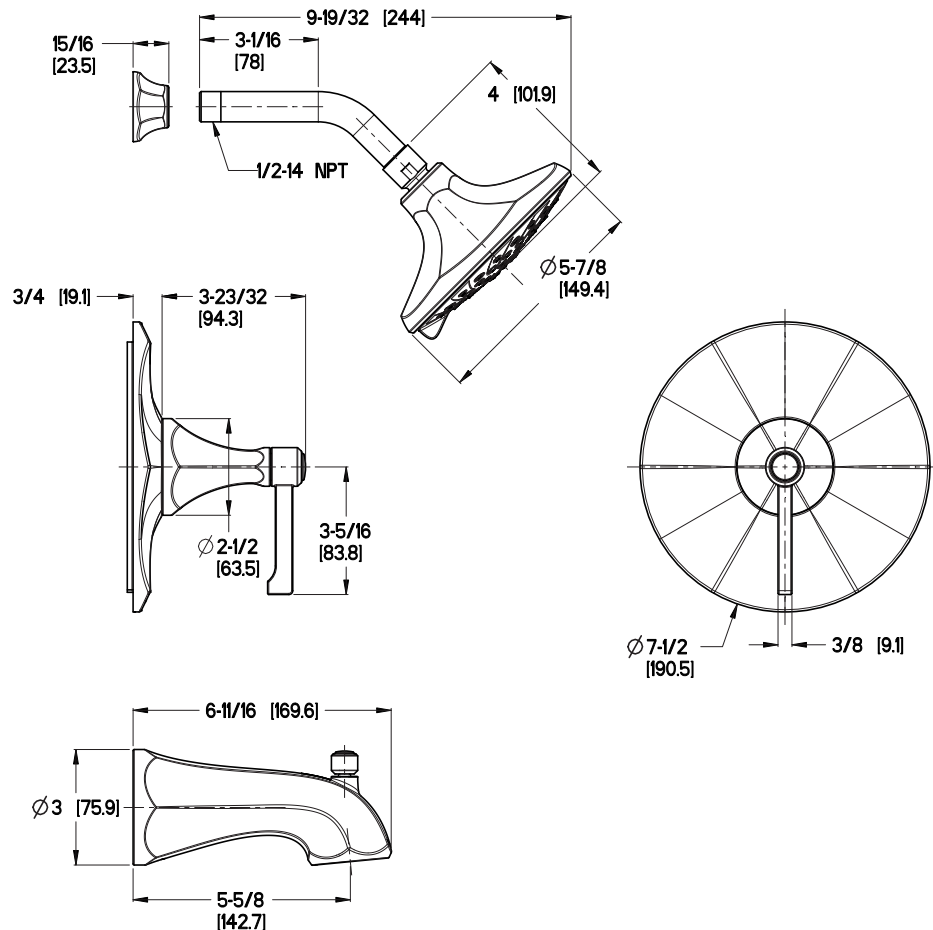
Code Compliance

Pfister products are designed and manufactured in compliance with the following standards and codes:

- IAPMO Certified
- CSA B125 Certified
- ASME A112.18.1
- ASSE 1016
- Cal Green Compliant
- ADA Compliant-ANSI A117.1 (Lever handles only)



Dimensions



$\phi 1$ Min to $\phi 1-1/2$ Max. Deck Hole Openings