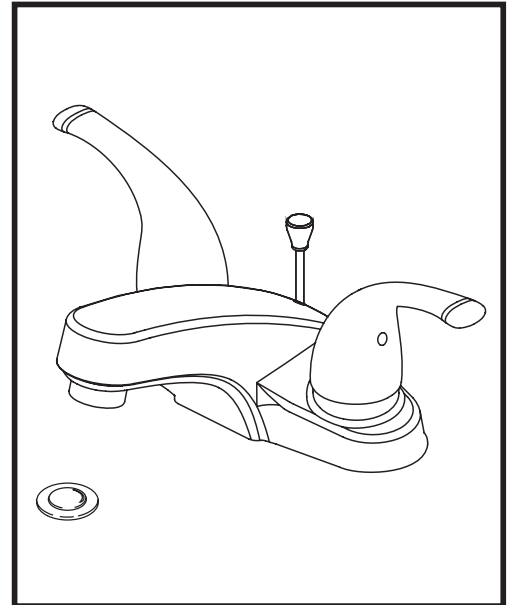
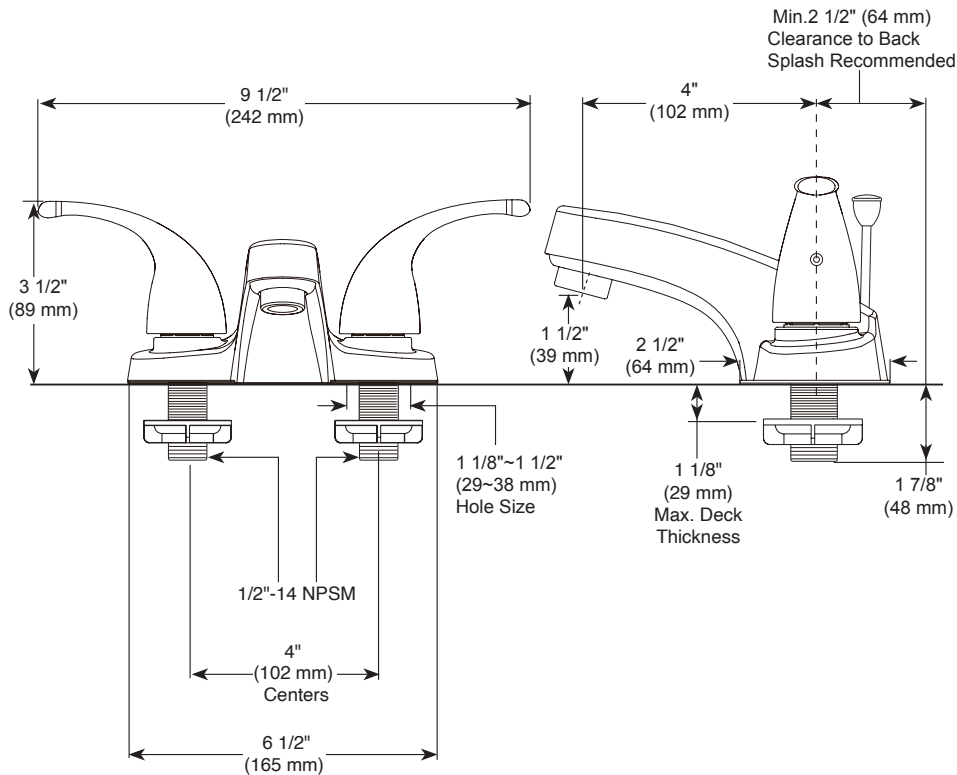


PEERLESS®

P299628LF▲
P299628LF-▲-M



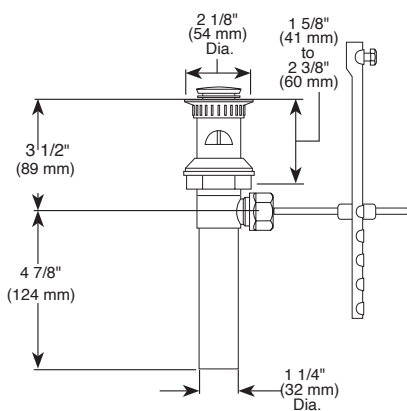
BATHROOM FAUCET:

- Two Handle Centerset
- 4 Inch 3 Hole Sink Applications

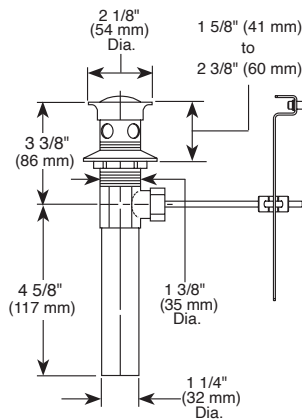
STANDARD SPECIFICATIONS:

- Maximum 1.0 gpm @ 60 psi, 3.8 L/min @ 414 kPa
- Ceramic cartridge
- 1/4 turn handle stops
- 1/2"-14 NPSM threaded male inlet shanks
- Models with no suffix have plastic pop-up type fitting with plated flange and stopper
- Models with suffix "M" have metal drain with pop-up type fitting with plated flange and stopper

RP62472▲
Plastic Pop-up



RP26533▲
Metal Pop-up



WARRANTY:

- Parts and Finish - Lifetime limited warranty; or for commercial purchasers, 10 years for multi-family residential (apartments and condominiums) and 5 years for all other commercial uses, in each case from the date of purchase.



COMPLIES WITH:

- ASME A112.18.1 / CSA B125.1
- ASME A112.18.2 / CSA B125.2

- ♿ Indicates compliance to ICC / ANSI A117.1- Valve control only
- EPA WaterSense®

▲ Designate proper finish suffix