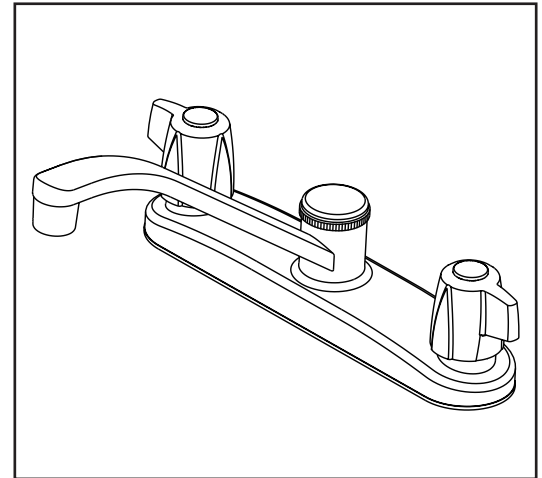
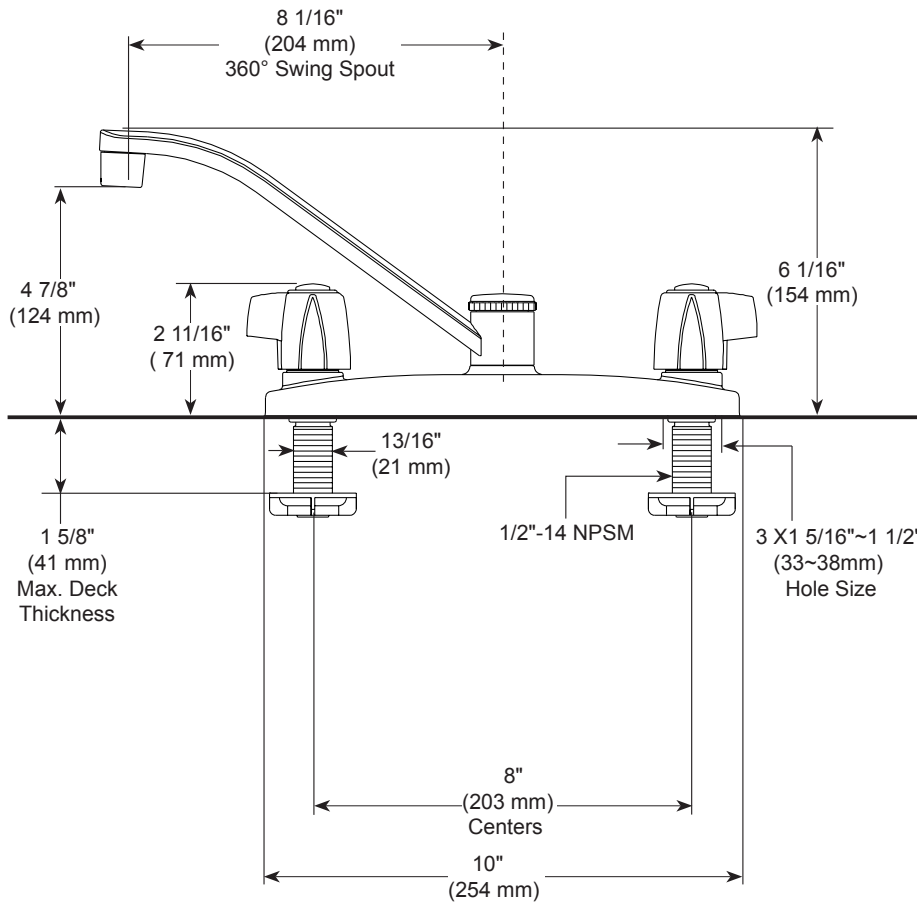


PEERLESS®

P221LF



KITCHEN FAUCETS

- Two handle dock mount
- 3 hole sink applications

STANDARD SPECIFICATIONS:

- Maximum 1.5 gpm @ 60 psi, 5.7 L/min @ 414 kPa
- 8" (203 mm) centerset
- Spout rotates 360°
- The fully replaceable, washerless valve design rotates from the full-off position to the full-on position in 90°.
- The valve stems on the hot and cold stems are interchangeable.
- 1/2"-14 NPSM threaded male inlet adapters

WARRANTY

- Parts and Finish - Lifetime limited warranty; or for commercial purchasers, 10 years for multi-family residential (apartments and condominiums) and 5 years for all other commercial uses, in each case from the date of purchase.

COMPLIES WITH:

- ASME A112.18.1 / CSA B125.1
-  Indicates compliance to ICC/ANSI A117.1

▲ Designate proper finish suffix

PSP-K-P221LF Rev. C