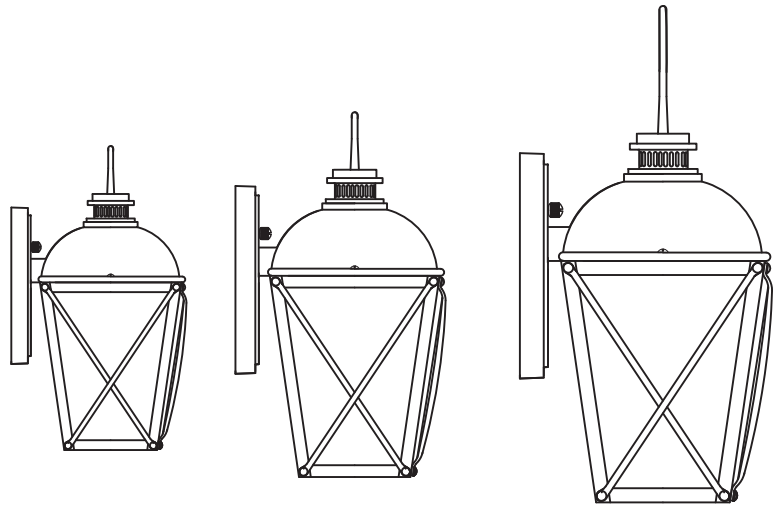


Exterior Wall Lantern

EL6300BLK / EL6300DABR
EL6301BLK / EL6301DABR
EL6302BLK / EL6302DABR



· 1- 2 Light Exterior Wall Lantern in Black or Dark Bronze

· Clear Glass

· No special tools needed for assembly

· Dimmable: No

· Certification:

ETL

Wet Rated

· Backplate dimensions:

EL6300BLK / EL6300DABR / EL6301BLK / EL6301DABR: 4-3/4" x 6-1/4" x 3/4"

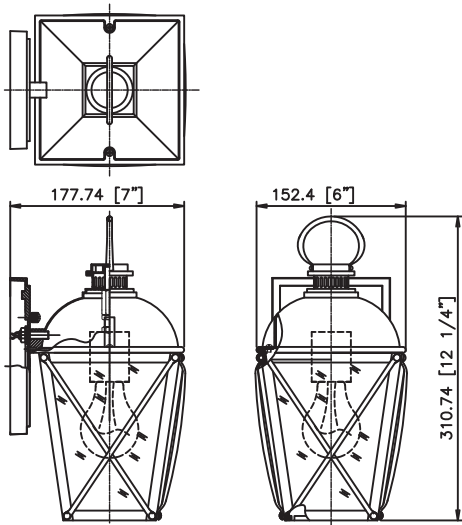
EL6302BLK / EL6302DABR : 5-1/2" x 8-1/4" x 1-1/5"

· Wattage:

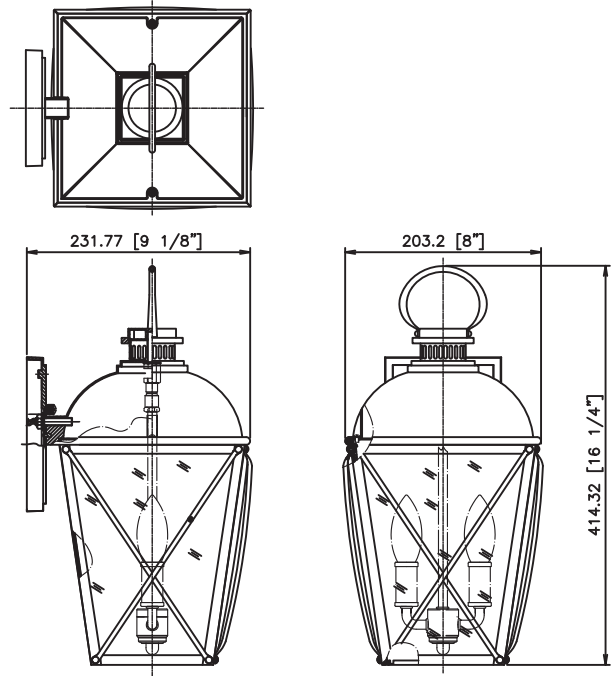
EL6300BLK / EL6300DABR : Uses one 100W medium base lamps max

EL6301BLK / EL6301DABR / EL6302BLK / EL6302DABR : Use two 60W candelabra base lamps max

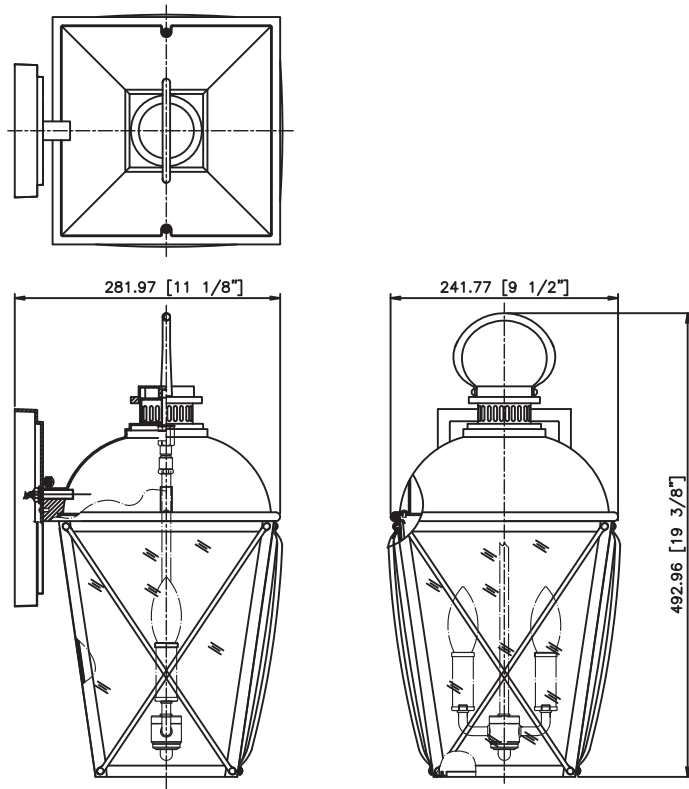
See dimension drawing on back.



EL6300BLK / EL6300DABR



EL6301BLK / EL6301DABR



EL6302BLK / EL6302DABR