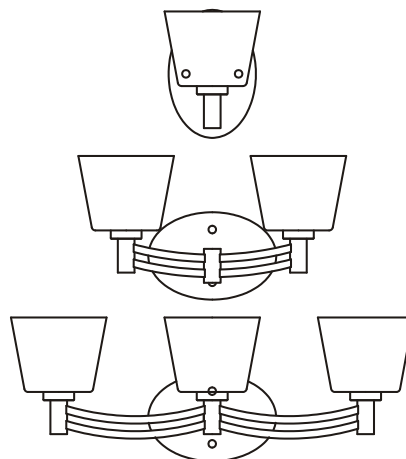
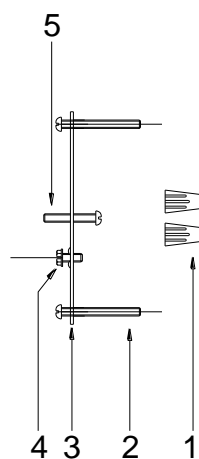
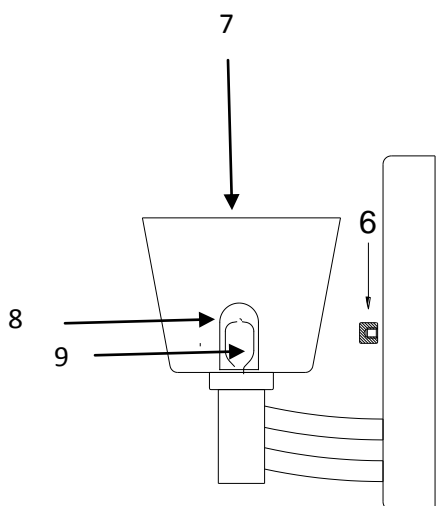


PARK HARBOR™

PHVL2111/2112/2113BN/ORB



Maldivive Parts Breakdown

No.	Part Name	Spanish	French	Part No.
1	Wire connectors (2pcs)	Conector de cable (2pcs)	Capuchon de connexion (2pcs)	PHSP211HDWRORBWTY PHSP211HDWRBNWTY
2	Screw (2pcs)	Tornillo (2pcs)	Vis (2pcs)	
3	Mounting bar (1pc)	Barra de montaje (1pc)	Barrette de fixation (1pc)	
4	Ground screw (1pc)	Tornillo a tierra (1pc)	Vis de borne de terre (1pc)	
5	Screw (1pc)	Tornillo (1pc)	Vis (1pc)	
6	Finial (2pcs)	Remate (2pcs)	Faîteau (2pcs)	
7	Glass (1, 2, or 3pcs)	Vidrio (1,2 or 3pcs)	Verre (1,2 or 3pcs)	PHSP211WGLSWTY
8	G9 bulb (1,2 or 3 pcs)	G9 Bombilla (1,2 or 3 pcs)	G9 Ampoule (1,2 or 3 pcs)	PHSPRGBHALWTY
9	Glass cover ((1,2 or 3 pcs)	Vidrio Cubierta (1,2 or 3 pcs)	Verre Capuchon (1,2 or 3 pcs)	PHSPRGLSAEWTY