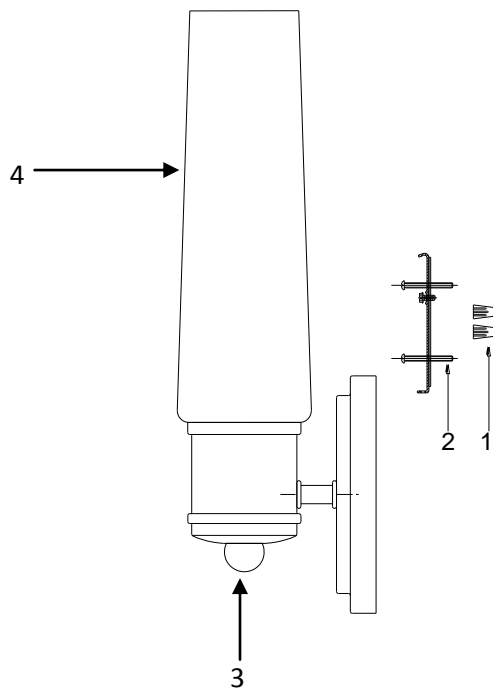
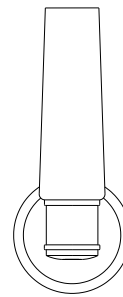


PARK HARBOR™

PHVL2091BN/BRZ/PC



Parts Breakdown

No.	Part Name	Spanish	French	Part No.
1	Wire connectors (2pcs)	Conector de cable (2pcs)	Capuchon de connexion (2pcs)	PHSPHDWRBRZWTY
2	Screw (2pcs)	Tornillo (2pcs)	Vis (2pcs)	
3	Finial (1pc)	Remate (1pc)	Faîteau (1pc)	PHSP2090FINBRZWTY PHSP209FINBNWTY PHSP209FINPCWTY
4	Glass (1pc)	Vidrio (1pc)	Verre (1pc)	PHSP209GLSWTY