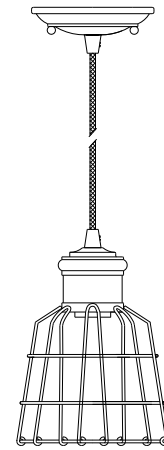
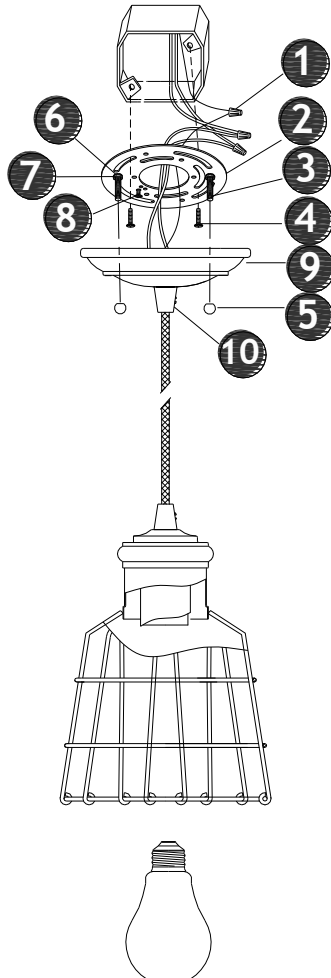


PARK HARBOR™

PHPL5561LGB



Parts Breakdown

No.	Part Name	Spanish	French	Part No.
1	Wire Nut (3pcs)	Empalme plástico (3pcs)	Capuchon de connexion (3pcs)	PHSP5561HDWRGBWTY
2	Mounting Plate (1pc)	Placa de montaje (1pc)	Plaque de montage (1pc)	
3	Mounting Screw (2pcs)	Tornillos de montaje (2pcs)	Vis de montage (2pcs)	
4	Mounting Screw (2pcs)	Tornillos de montaje (2pcs)	Vis de montage (2pcs)	
5	Ball Nut (2pcs)	Tuerca esférica (2pcs)	Écrou sphérique (2pcs)	
6	Washer (2pcs)	Arandela (2pcs)	Rondelle (2pcs)	
7	Hex Nut (2pcs)	Tuerca hexagonal (2pcs)	Écrou hexagonal (2pcs)	
8	Ground Screw (1pc)	Tornillo a tierra (1pc)	Vis de borne de terre (1pc)	
9	Canopy (1pc)	Marquesina (1pc)	Monture (1pc)	PHSP556CANNLGBWTY
10	Nut (1pc)	Tuerca (1pc)	Écrou (1pc)	