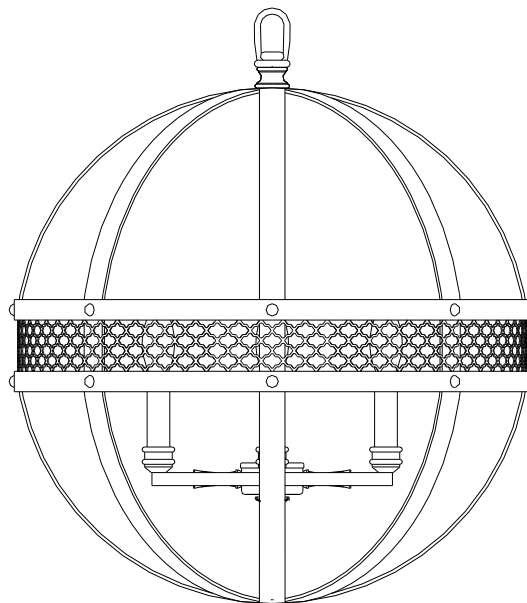


# PARK HARBOR™

## Pendant

PHPL5194DABR



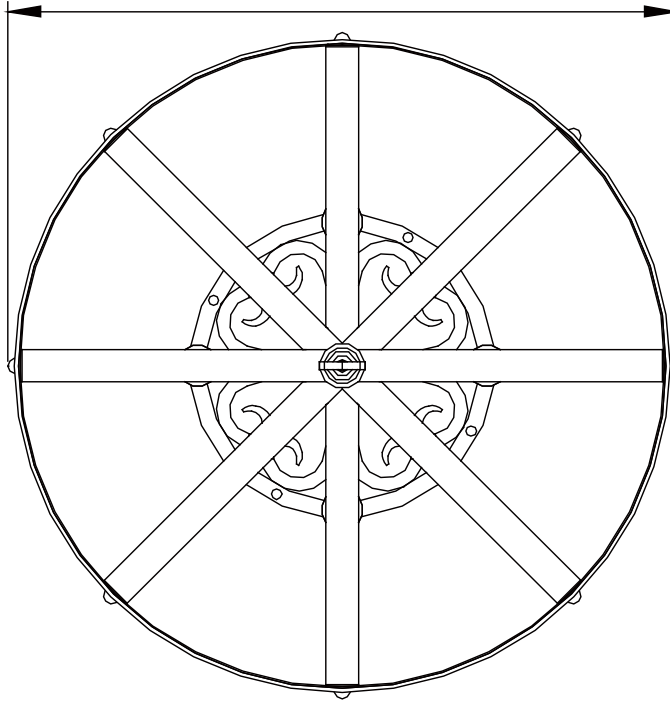
- . 4-Light Pendant in Dark Bronze
- . No special tools needed for assembly
- . Wattage: Uses four 60W Candelabra base lamps max

See dimensional drawing on back.

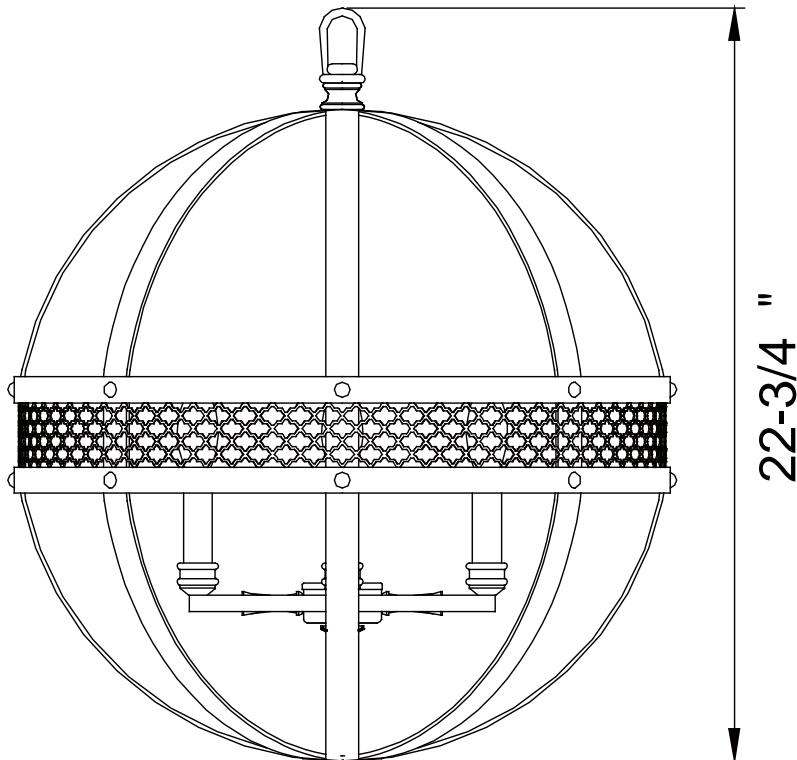
© 2015 Ferguson Enterprises, Inc. 00000 MO/YR

[PARKHARBORLIGHTING.COM](http://PARKHARBORLIGHTING.COM)

20-1/4"



PARK HARBOR™



PHPL5194DABR