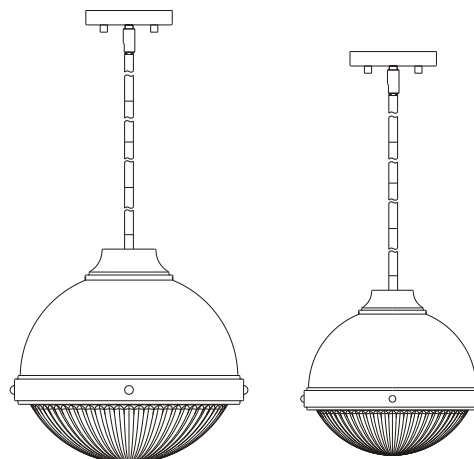


PARK HARBOR™



Pendant

PHPL5060WHITBN/BN

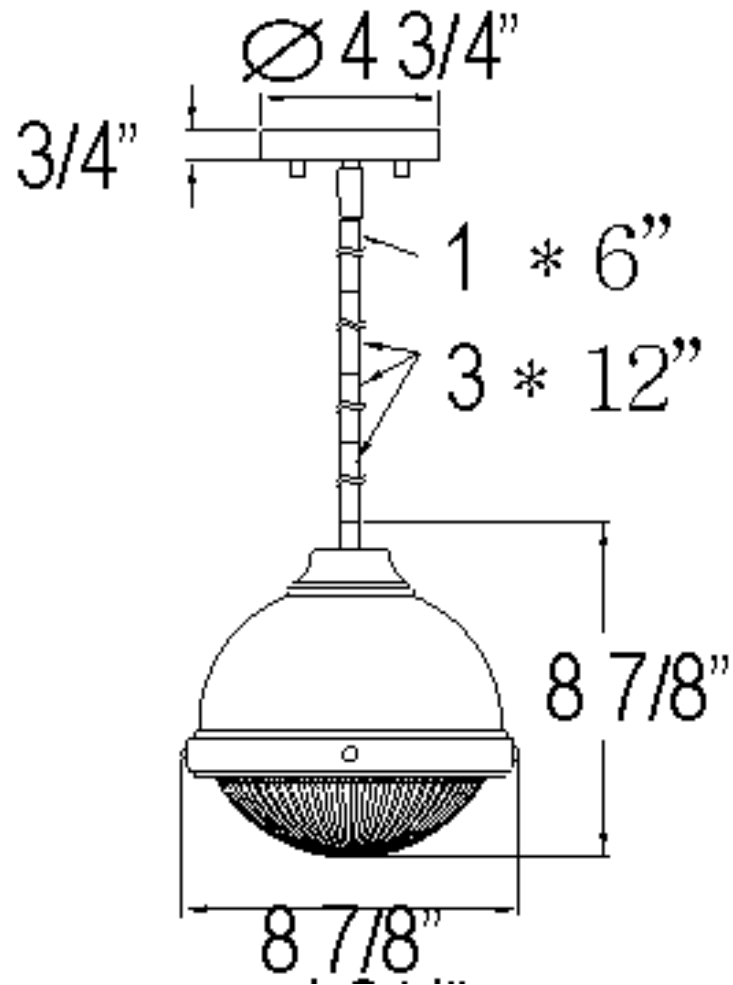
PHPL5061WHITBN/BN

- 1-Light Pendant in Two tones (Brushed Nickel + White) or Brushed Nickel
- No special tools needed for assembly
- Wattage: Uses one 100W medium base lamp max

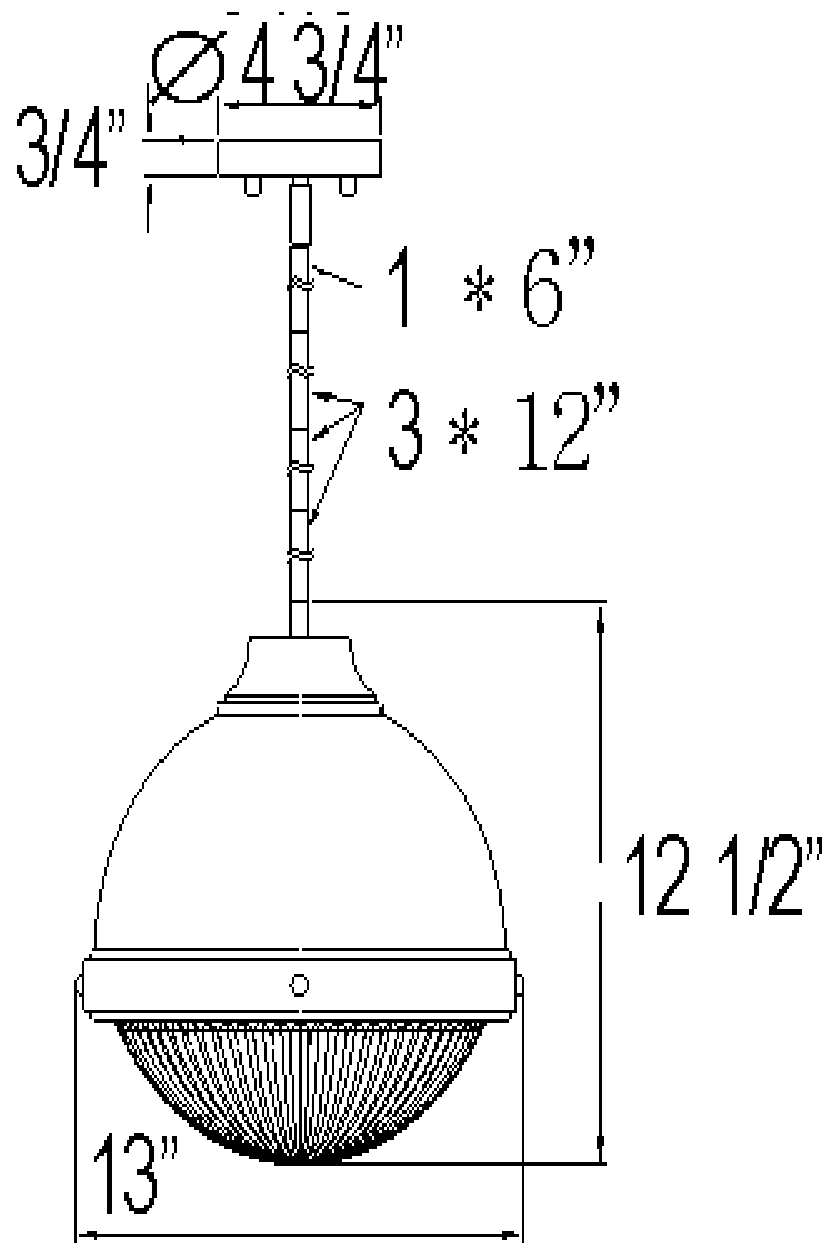
See dimensional drawing on back.

© 2015 Ferguson Enterprises, Inc. 00000 MO/YR

PARKHARBORLIGHTING.COM



PHPL5060WHITBN/BN



PHPL5061WHITBN/BN