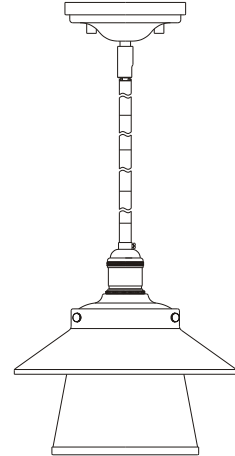


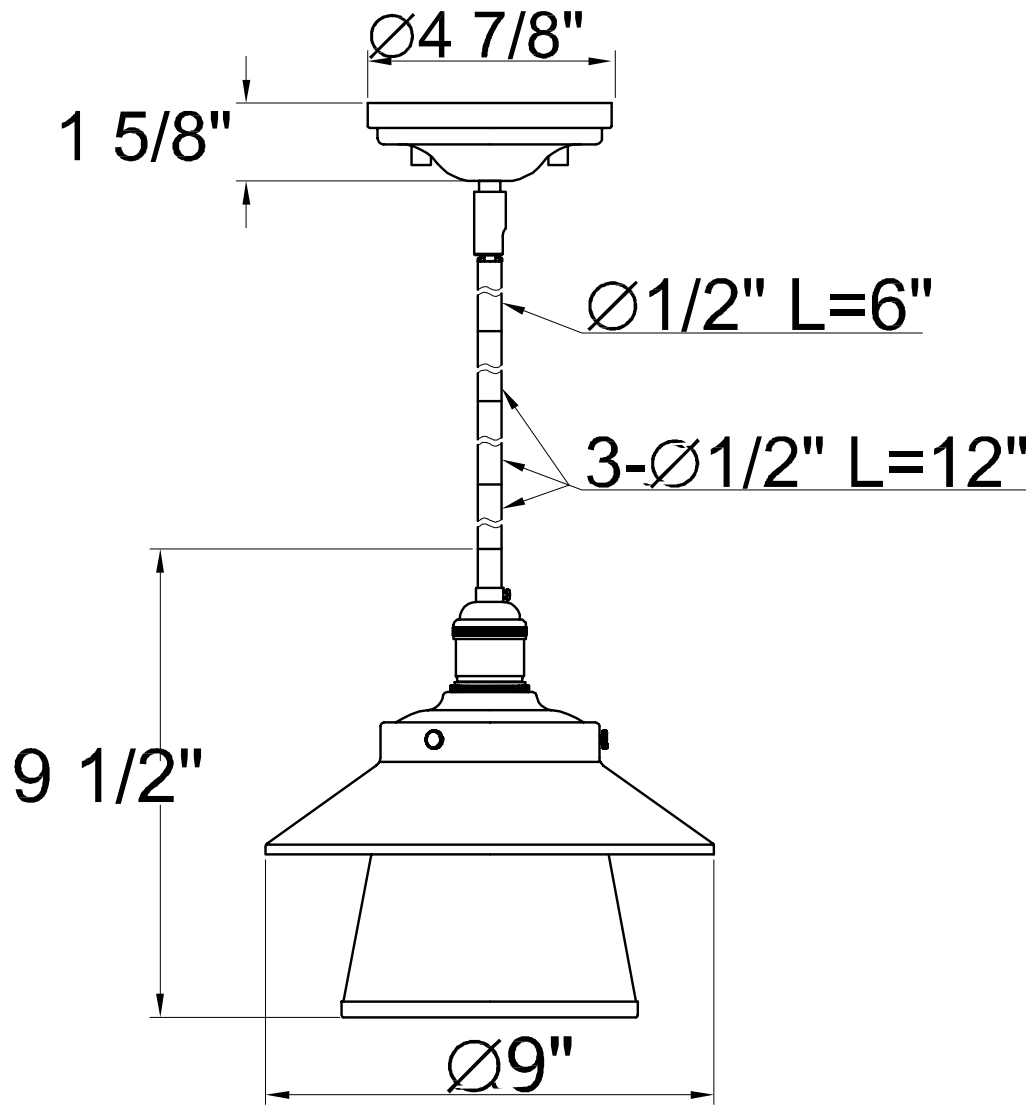
# PARK HARBOR™



## Stockton Pendant

PHPL5011ORB/BN

- 1-Light Pendant in Oil Rubbed Bronze or Brushed Nickel
- No special tools needed for assembly
- Wattage: Uses one 60W medium base lamp max



PHPL5011ORB/BN