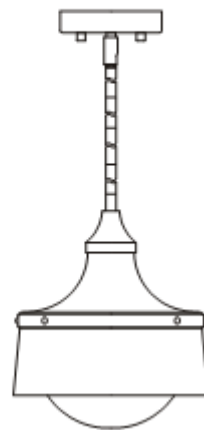


PARK HARBOR™



Pendant

PHPL5001WHITBN

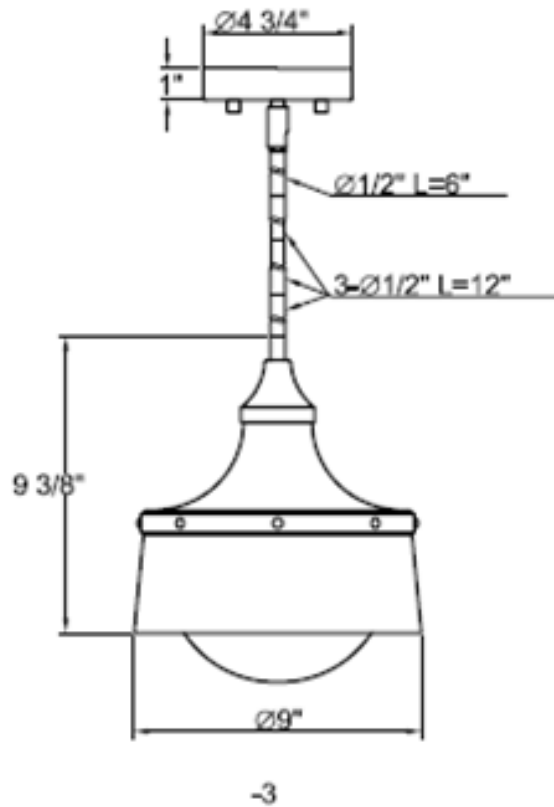
PHPL5001BNPC

- 1-Light Pendant in Two tones (White + Brushed Nickel) or (Brushed Nickel + Polished Chrome)
- No special tools needed for assembly
- Wattage: Uses one 100W medium base lamp max

See dimensional drawing on back.

© 2015 Ferguson Enterprises, Inc. 00000 MO/YR

PARKHARBORLIGHTING.COM



PHPL5001WHITBN
PHPL5001BNPC