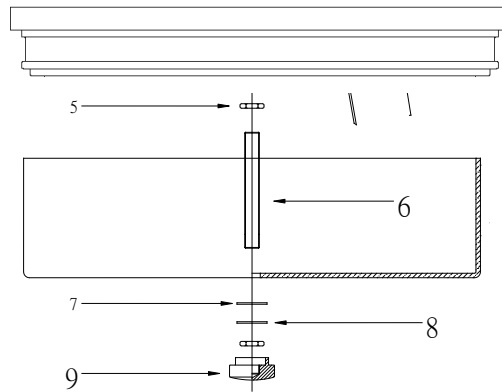
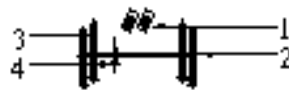
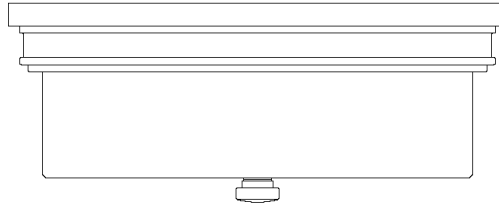


PARK HARBOR™

PHFL4062/4063 PC



No.	Part Name	Spanish	French	Part No.
1	Wire connector(2pc)	Conector de cable (2pc)	Capuchon de connexion (2pc)	PHSPRHDWR2WTY
2	Mounting bar (1pc)	Barra de montaje (1pc)	Barrette de fixation (1pc)	
3	Screw (4pcs)	Tornillo (4pcs)	Vis (4pcs)	
4	Ground screw (1pc)	Tornillo a tierra (1pc)	Vis de borne de terre (1pc)	
5	Hex nut (2pc)	Tuerca hexagonal (2pc)	Écrou hexagonal (2pc)	
6	Nipple (1pc)	Boquilla (1pc)	Embout (1pc)	
7	Metal washer (1pc)	Arandela metálica (1pc)	Rondelle métallique (1pc)	
8	Plastic washer (1pc)	Arandela de plástico (1pc)	Rondelle en plastique (1pc)	
9	Finial (1pc)	Remate (1pc)	Faiteau (1pc)	PHSP406FINPCWTY