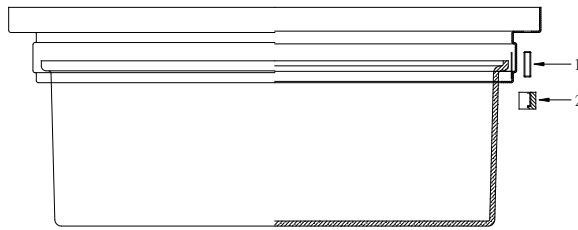
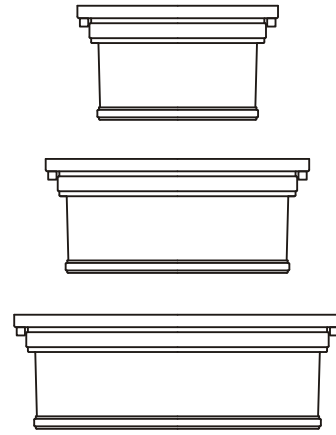


# PARK HARBOR™

PHFL4031/4032/4033 AB/ORB/PC/PN



Parts Breakdown

| No. | Part Name   | Spanish       | French       | Part No.                            |
|-----|-------------|---------------|--------------|-------------------------------------|
| 1   | Screw(1PC)  | Tornillo(1pc) | Vis(1pc)     | PHSP403FINABWTY<br>PHSP403FINORBWTY |
| 2   | Finial(1PC) | Remate(1pc)   | Faiteau(1pc) | PHSP403FINPCWTY<br>PHSP403FINPNWTY  |