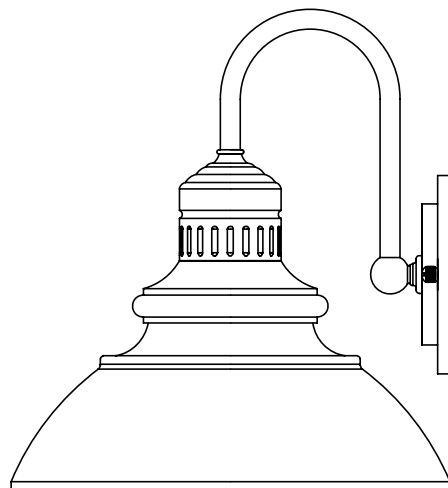


PARK HARBOR™

Blackshore

Exterior Lantern



PHEL1500ANPE/WB

PHEL1501ANPE/WB

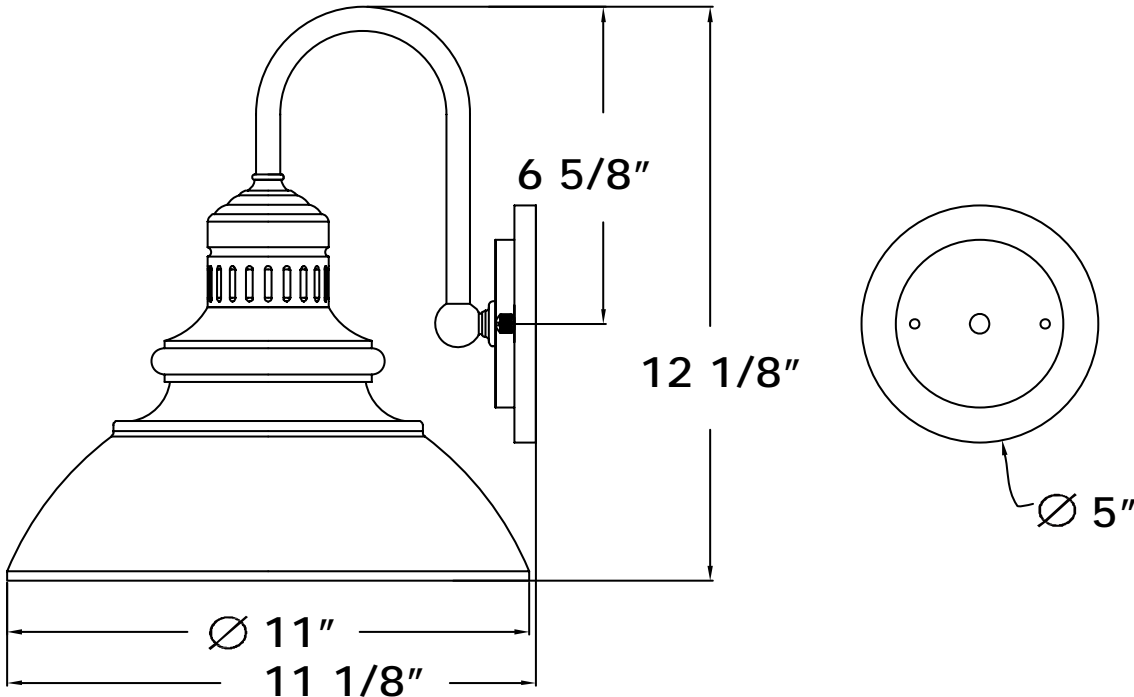
PHEL1502ANPE/WB

- . Exterior Lanterns in Antique Pewter or Warm Bronze
- . No special tools needed for assembly
- . Wattage: Uses Integrated 12W LED
- . PHEL1500/PHEL1501 series are Dark Sky Compliant

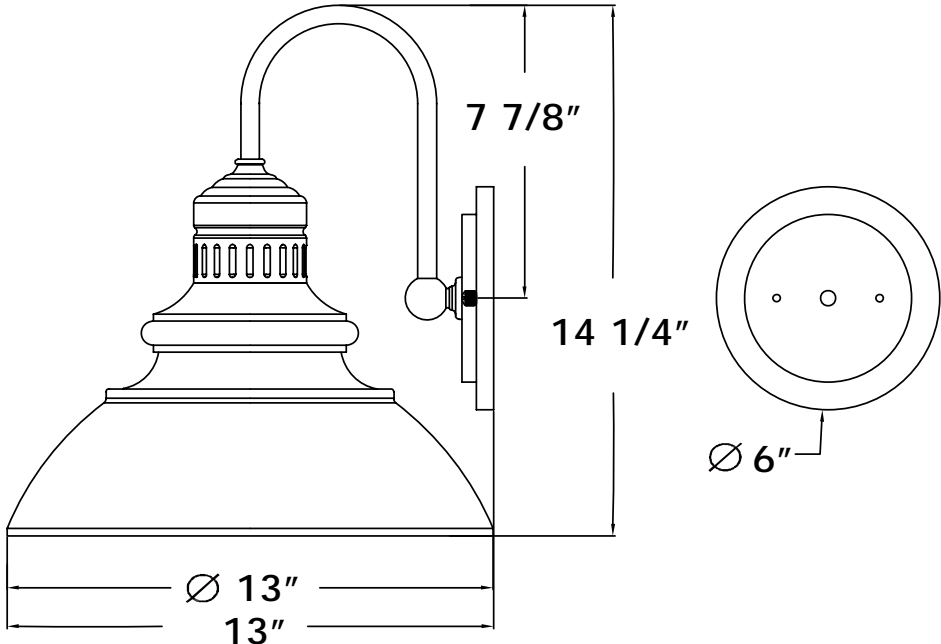
See dimensional drawing on back.

© 2015 Ferguson Enterprises, Inc. 00000 MO/YR

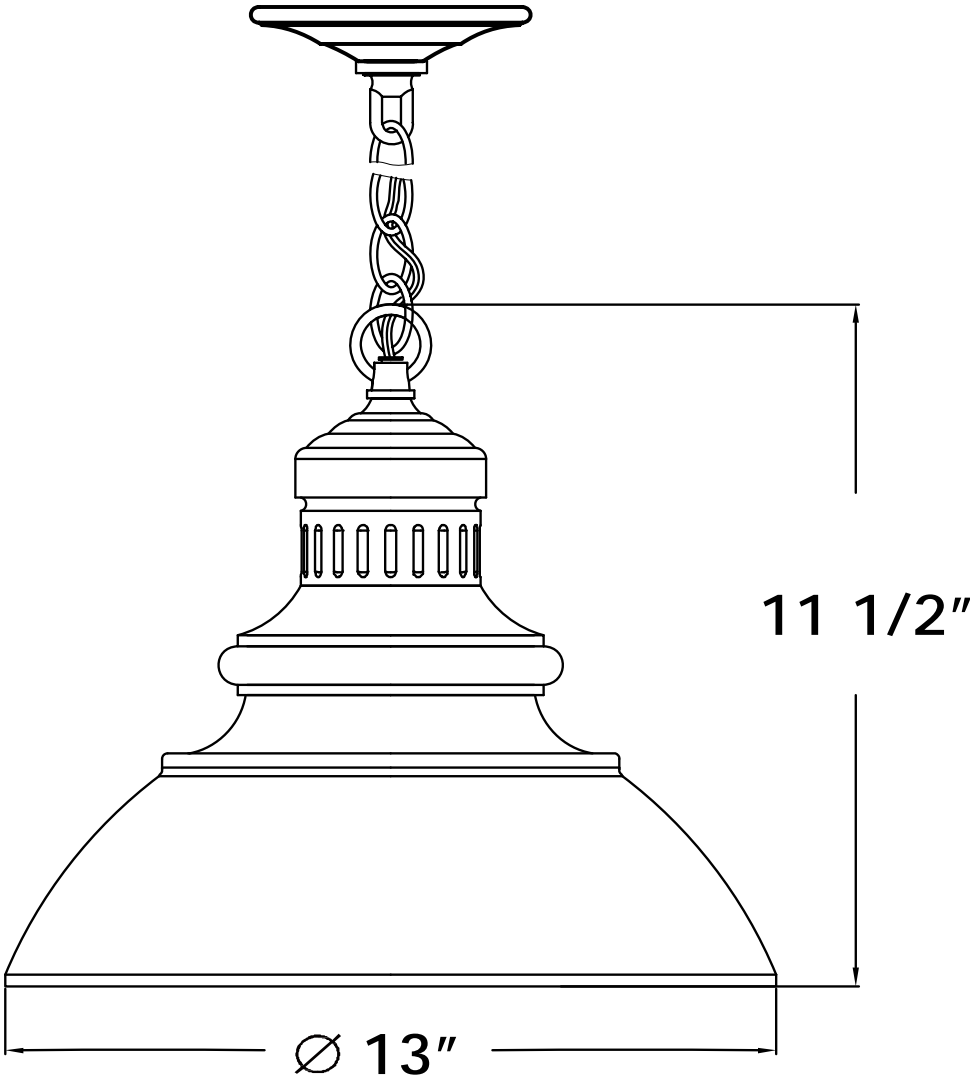
PARKHARBORLIGHTING.COM



PHEL1500ANPE/WB



PHEL1501ANPE/WB



PHEL1502ANPE/WB