

**Specification Submittal Data / Panasonic Ventilation Fan**

**Description**

Ventilation fan/light shall be low voltage ceiling mount rated for continuous run. Fan shall be ENERGY STAR® rated and certified by the Home Ventilating Institute (HVI). Fan shall include energy efficient compact fluorescent lighting. Evaluated by Underwriters Laboratories and conform to both UL and cUL safety standards.

**Motor/Blower:**

- Four-pole fully enclosed condenser motor rated for continuous operation.
- Power rating shall be 120 volts and 60 Hz.
- Fan shall be UL listed for tub/shower enclosure when used with a GFCI branch circuit wiring and use in insulated ceiling (TYPE I.C.).
- Motor equipped with thermal-cut-off fuse.
- Removable, permanently lubricated, plug-in motor.

**Housing:**

- Rust proof paint, galvanized steel body.
- Detachable dual 4" or 6" diameter duct adapter.
- Built in backdraft damper.
- Expandable extension bracket up to 24".
- Double hanger bar system allowing for ideal positioning.

**Grille:**

- Attractive design using PP material.
- Attaches directly to housing with torsion springs.

**Light:**

- One 18-Watt electronic ballast GU24 spiral compact fluorescent lamp included.
- FCC Part 18 compliant.

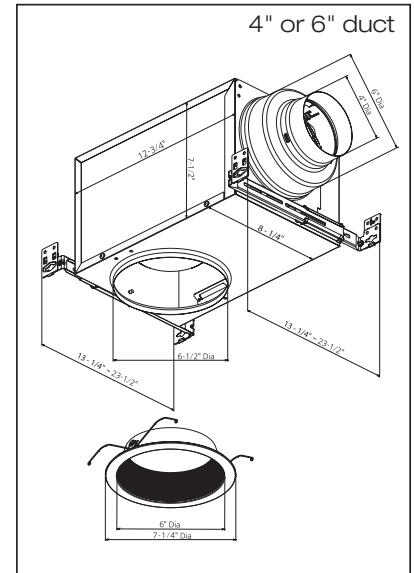


**Warranty:**

- ALL Parts: 3 Years from original purchase date.  
CFL: 10,000 hours.

**Architectural Specifications:**

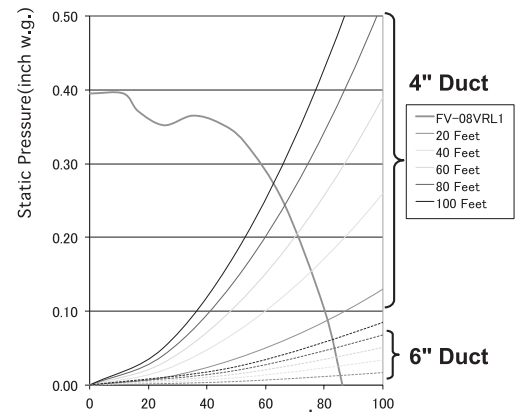
Ventilation fan and light combination shall be ceiling mount, ENERGY STAR rated type, with no less than 80 CFM and no more than 0.8 sone as certified by the Home Ventilating Institute (HVI) at 0.1 w.g. with no less than 66 CFM and no more than 0.7 sone at .25 w.g. Power consumption shall be no greater than 20.5 watts at 0.1 w.g. and 19.5 Watts at 0.25 w.g. ENERGY STAR rated with efficiency of no less than 4 CFM/watt at 0.1 w.g. and than 3.4 CFM/watt at 0.25 w.g. The motor shall be fully enclosed, four pole condenser type engineered to operate continuously for no less than 30,000 hours. Power rating shall be 120v/60Hz. Duct diameter shall be no less than 4", inclusive of a detachable dual 4" or 6" duct adapter. Fan shall be UL and cUL listed for tub/shower enclosure when used with GFCI branch circuit wiring. Fan can be used to comply with ASHRAE 62.2, LEED, ENERGY STAR IAP, EarthCraft, California Title-24, WA Ventilation Code. Lamp shall be one 18-Watt energy efficient, GU24 spiral compact fluorescent incorporating integral electronic ballast.



FV-08VRL1

Specifications: <b>WhisperRecessed</b> FV-08VRL1	4" or 6" Duct	
Static Pressure in inches w.g.	0.1	0.25
Air Volume (CFM)	80	66
Noise (sones)	0.8	0.7
Power Consumption (watts)	20.5	19.5
Energy Efficiency (CFM/Watt)	4.0	3.4
Speed (RPM)	1378	1501
Power Rating (V/Hz)	120/60	
ENERGY STAR rated	YES	

**Performance Curve 4" or 6" duct**



For complete Installation Instructions visit [www.panasonic.com/building](http://www.panasonic.com/building)

Model	Quantity	Comments	Project:
			Location:
			Architect:
			Engineer:
			Contractor:
			Submitted by:
			Date:

**Panasonic Eco Solutions North America**  
Eco Products Division  
One Panasonic Way  
Secaucus, NJ 07094

[www.panasonic.com/building](http://www.panasonic.com/building)

