

Specification Data

Panasonic Ventilation Fan

Panasonic

WhisperGreen
VENTILATION FAN



FV-13VKS3 (0-130 CFM)

Description

Ventilating fan shall be Low Noise ceiling mount type rated for continuous run. Fan shall be ENERGY STAR rated and certified by the Home Ventilating Institute (HVI). Evaluated by Underwriters Laboratories and conform to both UL and cUL safety standards.

Motor/Blower:

- Totally enclosed DC brushless motor technology, currently more energy efficient than the minimum ENERGY STAR requirements, rated for continuous run.
- Power Rating shall be 120 volts and 60 Hz.
- Fan shall be UL listed for tub/shower enclosure when used with a GFCI branch circuit wiring.
- Motor equipped with thermal cut-off fuse control.
- Removable with permanently lubricated plug-in motor.

Housing:

- Rust proof paint, galvanized steel body.
- Detachable 6" diameter duct adapter.
- Built-in backdraft damper.
- Expandable extension bracket up to 24".
- Double hanger bar system allowing for ideal positioning.

Grille:

- Attractive design using PP material.
- Attaches directly to housing with torsion springs.

Warranty:

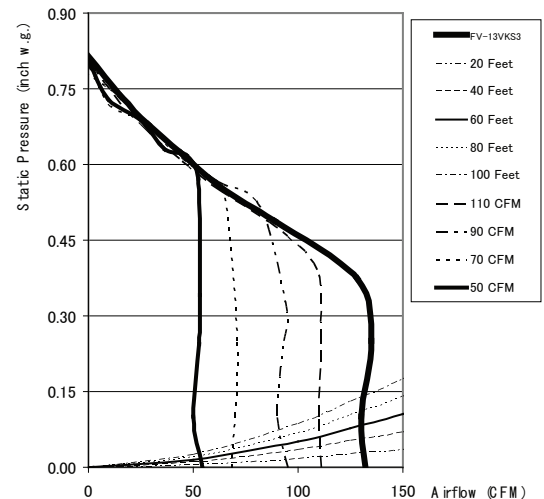
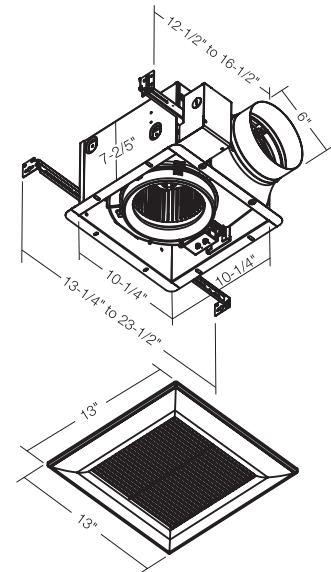
- The factory warranty shall be a minimum of 6 years limited warranty on the motor and 3 year limited warranty on parts.

Typical Specifications:

Ventilating fan shall be of the ceiling mount, ENERGY STAR rated type, with variable speed of 0-130 CFM and no more than 0.3 sone as certified by the Home Ventilating Institute (HVI) at 0.1 static pressure in inches water gauge. Power consumption shall be no greater than 11.9 watts and ENERGY STAR rated with efficiency rating of no less than 11.2 CFM/watt. The motor shall be enclosed with brushless DC motor engineered to run continuously. Power rating shall be 120v/60Hz. Duct diameter shall be no less than 6". Fan shall be UL and cUL listed for tub/shower enclosure when used with GFCI branch circuit wiring. Fan shall be California Title 24 compliant.

DC Motor Technology:

- Allows the fan to run continuously at a pre-set lower level (0, 50 – 110 CFM). The fan then elevates to a maximum level of operation (130 CFM) when the switch is turned on.
- When fan faces static pressure, its speed is automatically increased to ensure that the desired CFM is not compromised, which allows the fan to perform as rated.



WhisperGreen	FV-13VKS3									
Static Pressure in inches w.g.	0.1	0.25	0.1	0.25	0.1	0.25	0.1	0.25	0.1	0.25
Air Volume (CFM)	130	135	110	111	90	93	70	71	50	53
Noise (sones)	<0.3	0.7	<0.3	0.6	<0.3	0.6	<0.3	0.4	<0.3	<0.3
Power Consumption (watts)	11.9	21.5	9.0	15.6	6.2	12.5	4.1	9.8	2.4	5.9
Energy Efficiency (CFM/Watt)	11.2	6.4	12.5	7.3	15.2	7.8	18.7	7.9	23.3	10.0
Speed (RPM)	662	917	643	912	580	900	506	874	430	781
Current (amps)	0.01	0.12	0.03	0.09	0.02	0.07	0.04	0.01	0.06	0.03

As of 1/11

For Complete Installation Instructions Visit www.panasonic.com/building



Model	Quantity	Comments	Project:
			Location:
			Architect:
			Engineer:
			Contractor:
			Submitted by:
			Date: