

GC5900

Series



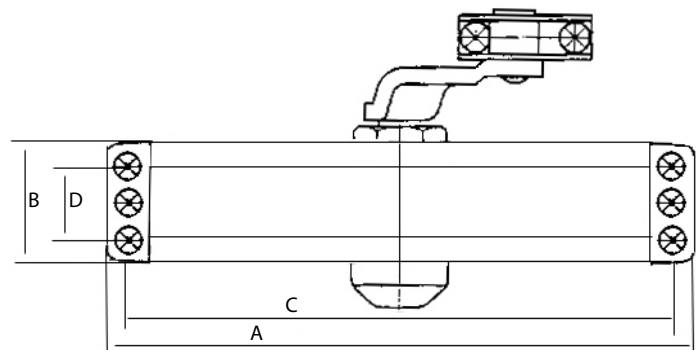
Features
10-year limited warranty
UL Listed (UL 10C)
Universal application and non-handed installation (regular and parallel bracket included)
Multi-size strength, power adjustable for size 1 thru 6 (factory preset size 3)
Hardened steel rack and pinion mechanism
Adjustable back check standard
Fixing for both metal and timber doors
Adjustable closing and latching speed
Optional delay action
ANSI Grade 1

Package Includes:
. Parallel bracket
. Wood screws and machine screws
. Full plastic cover
. Sex bolts and Thru bolts

***Finish Availability:**

AL: Aluminum (Painted)
DB: Dark Brown (Painted)

Description	GC5900
Door weight range (lbs)	33-176
A. Length of door closer body	11-7/8"
B. Height of door closer body	2"
C. Horizontal mounting holes	11-1/8"
D. Vertical mounting holes	1-1/8"



UL Listed