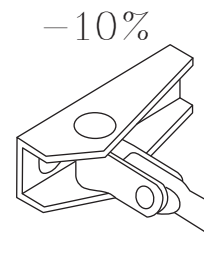
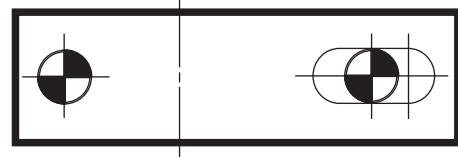
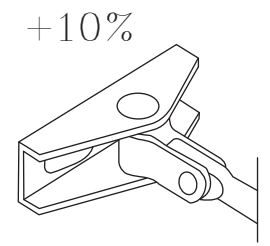




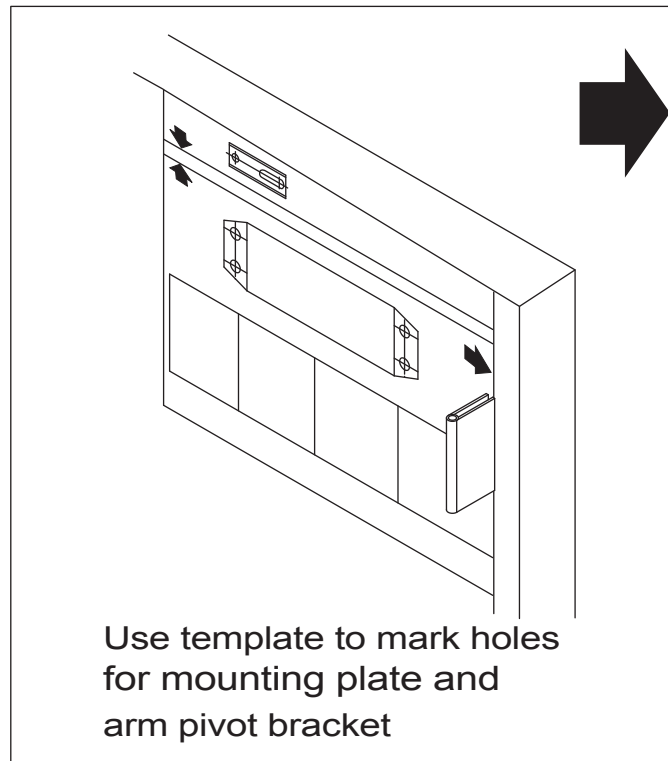
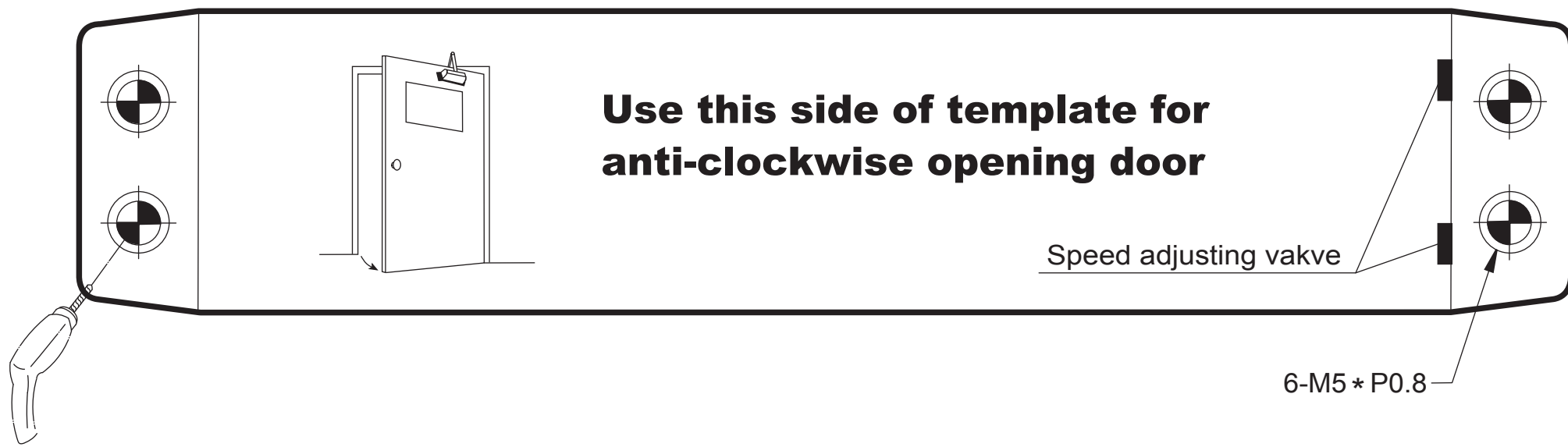
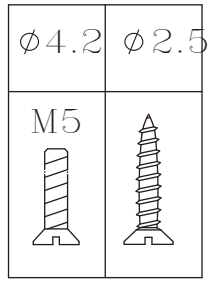
UNDERSIDE OF FRAME



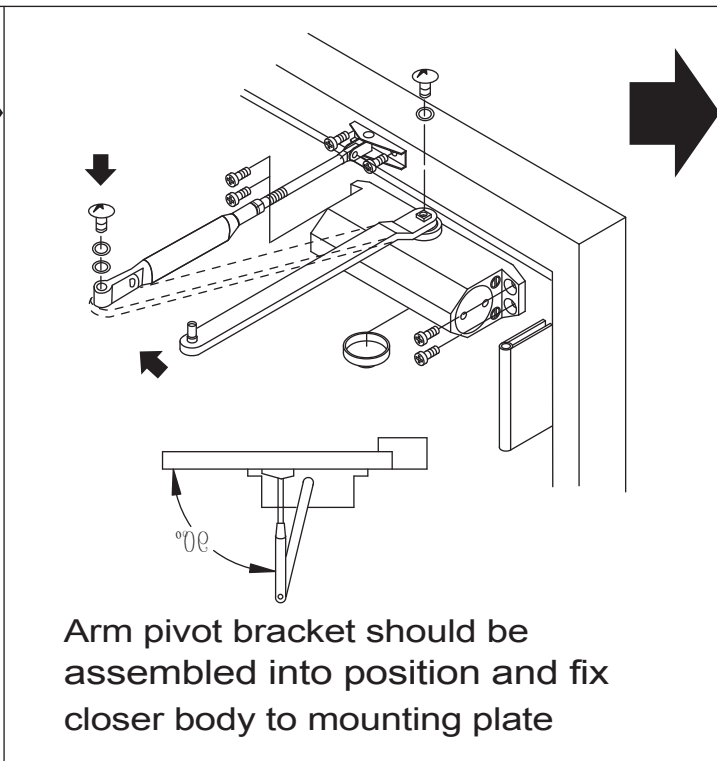
As illustrated, if the set square is turned, the closing power will be increased or decreased by 10%



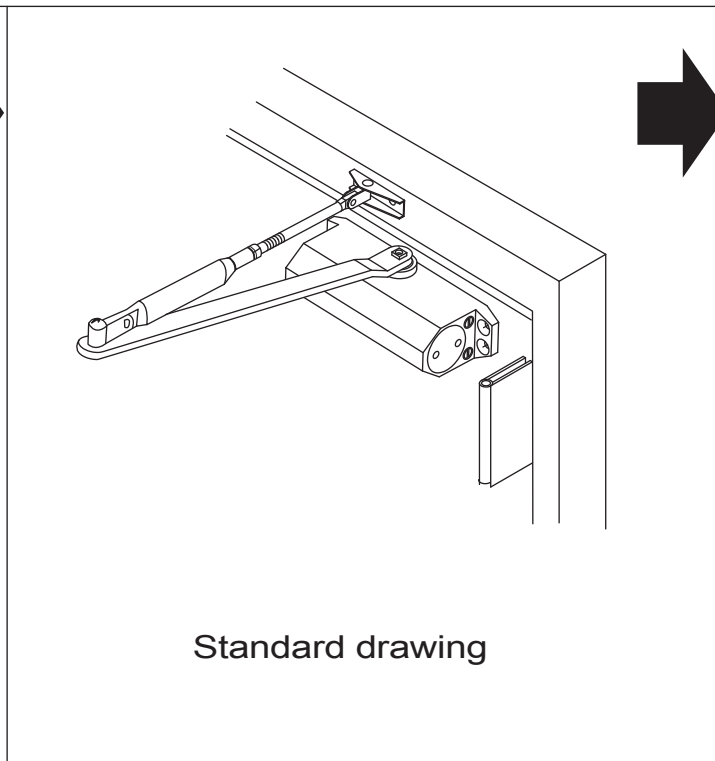
SET TO TOP OF DOOR



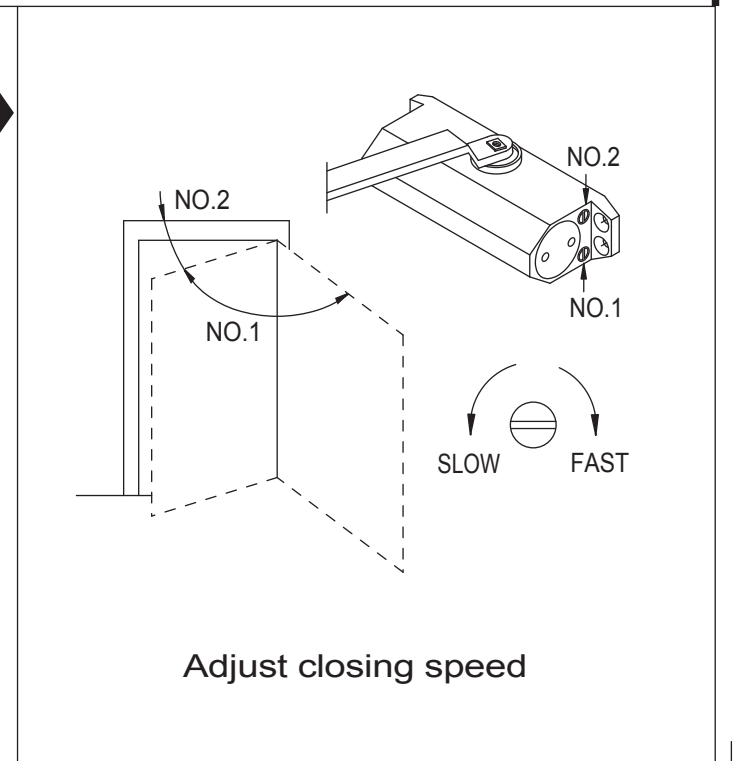
Use template to mark holes for mounting plate and arm pivot bracket



Arm pivot bracket should be assembled into position and fix closer body to mounting plate



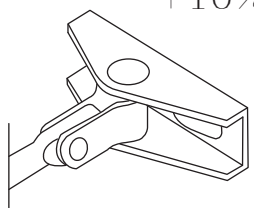
Standard drawing



Adjust closing speed

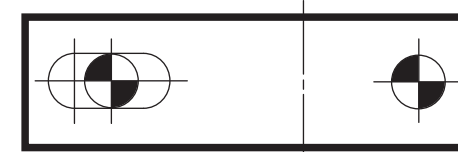
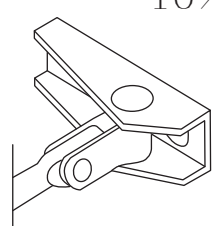
9406 INS-J162

+10%



As illustrated, if the set square is turned, the closing power will be increased or decreased by 10%

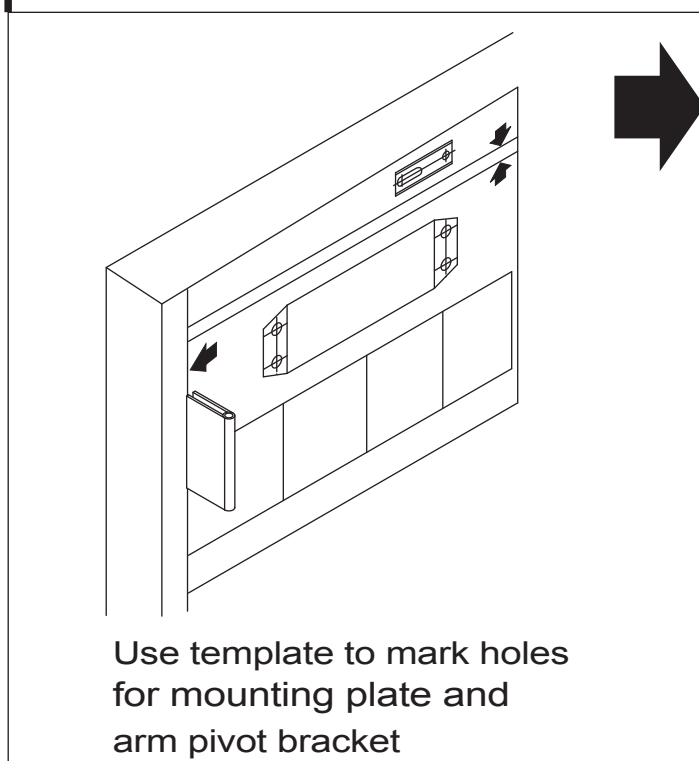
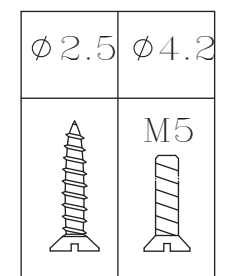
-10%



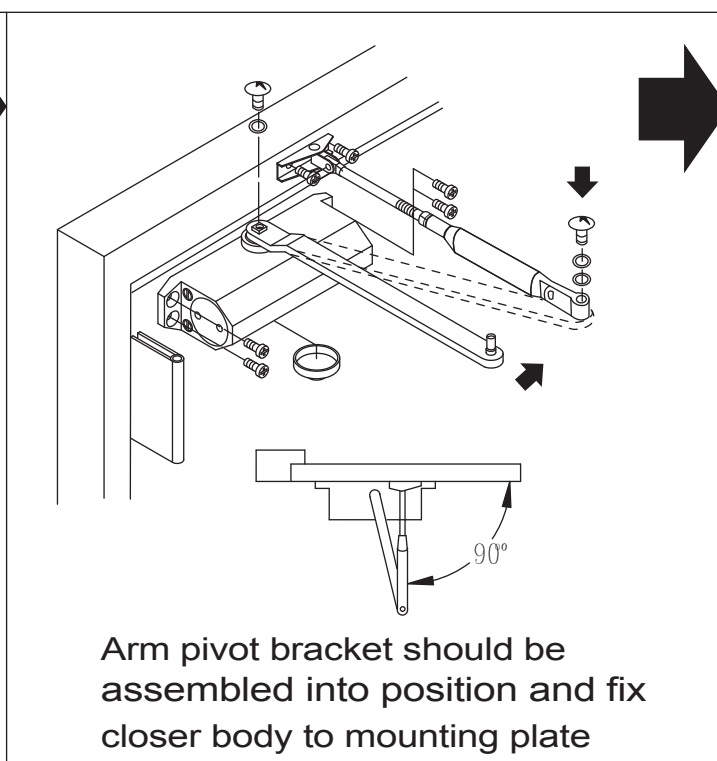
UNDERSIDE OF FRAME



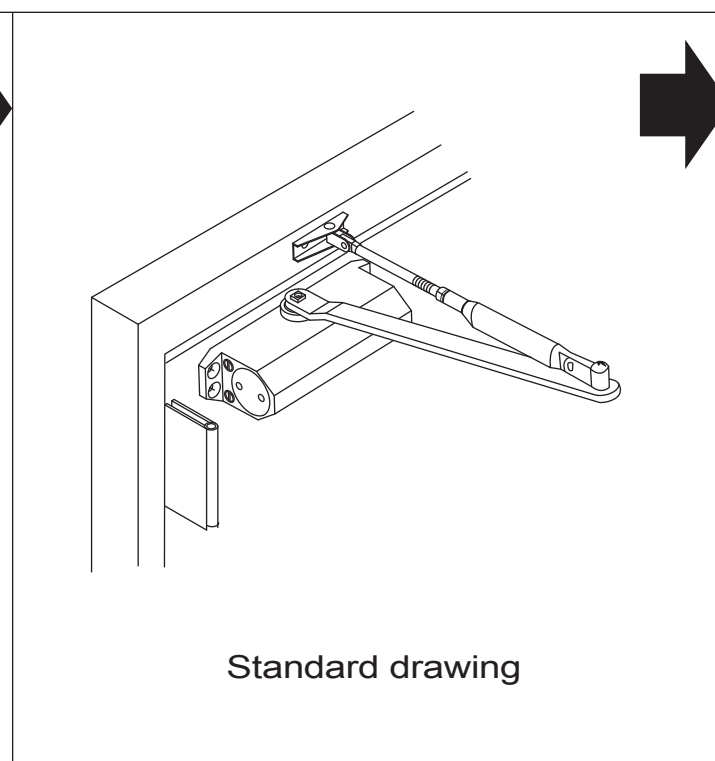
SET TO TOP OF DOOR



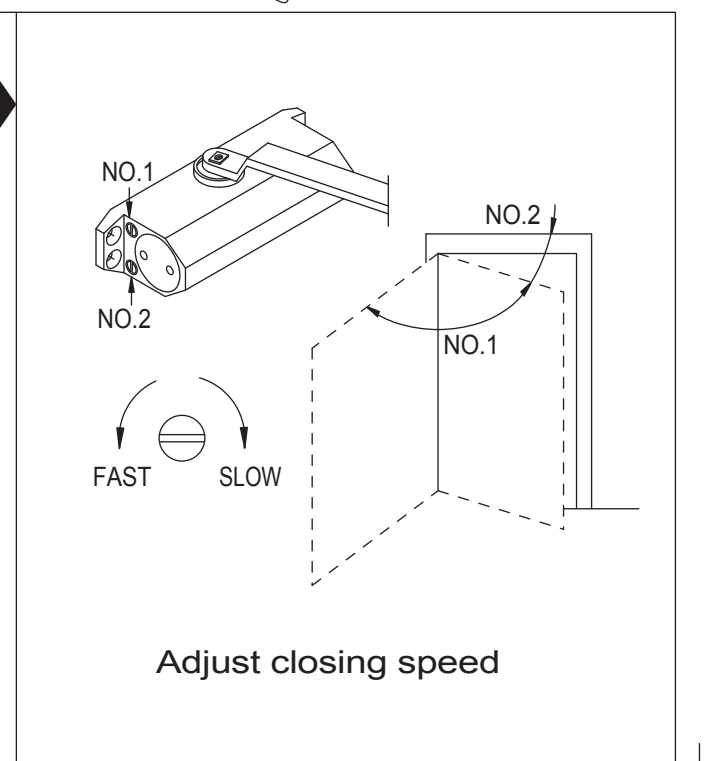
Use template to mark holes for mounting plate and arm pivot bracket



Arm pivot bracket should be assembled into position and fix closer body to mounting plate



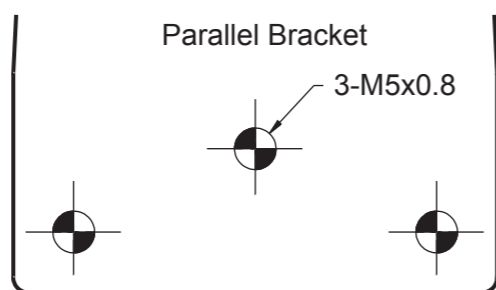
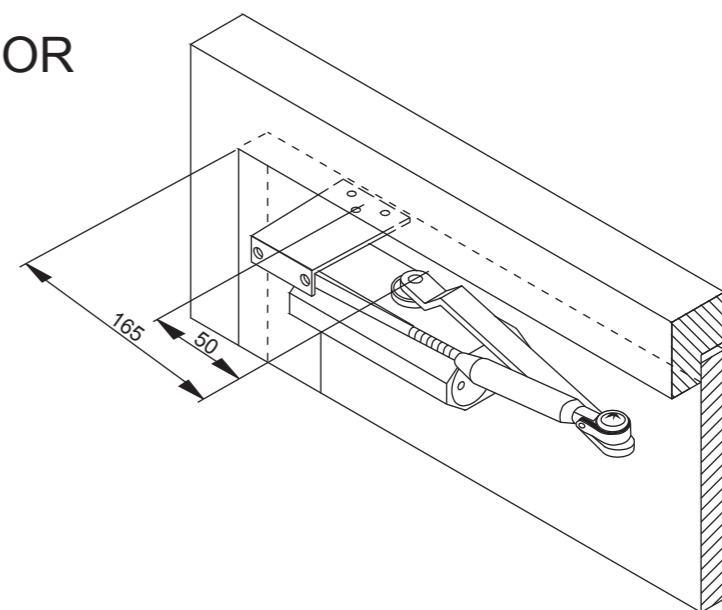
Standard drawing



Adjust closing speed

PARALLEL ARM INSTALLATION FOR ANTI CLOCKWISE OPENING DOOR FOR CLOCKWISE OPENING DOOR SEE THE BACK PAGE

This template covers regular parallel arm installations to 180° openings.



This face to underside of frame head

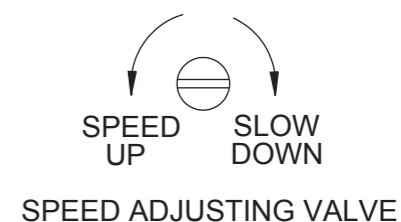
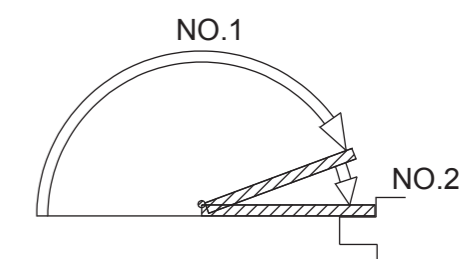
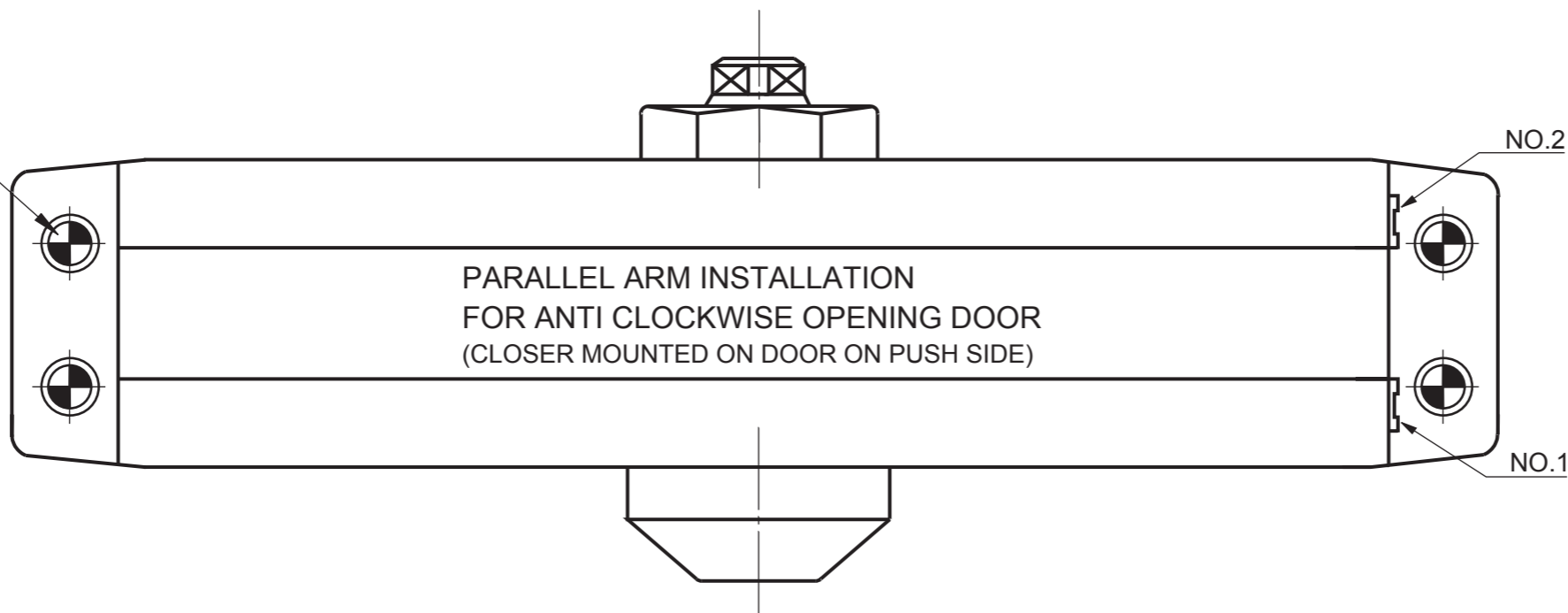
Model NO.	Approximate Door Size (Width)		Max. Door Weight
	Interior	Exterior	
2	830 mm	Not Recommended	45 KG
3	950 mm	830 mm	60 KG
4	1030 mm	930 mm	80 KG
5	1130 mm	1030 mm	110 KG
6	1330 mm	1130 mm	150 KG

FOLD HERE

Set to underside of frame head

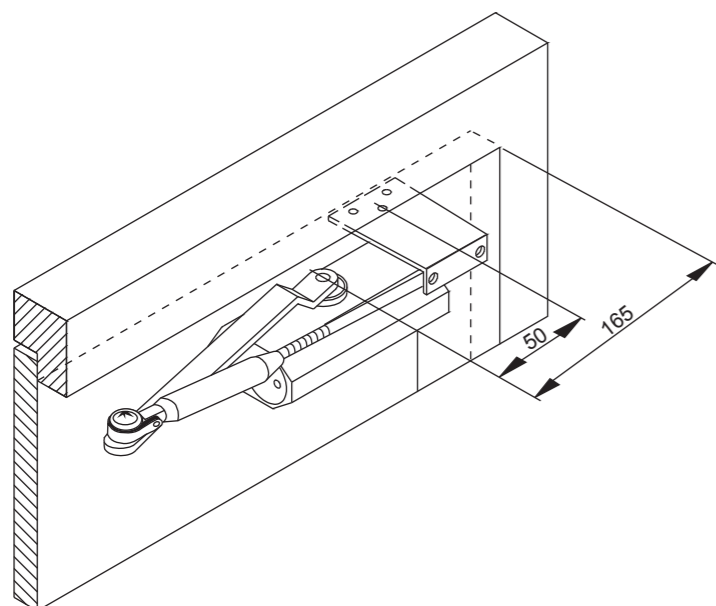
Set this end to the left of door

4-M5 * P0.8

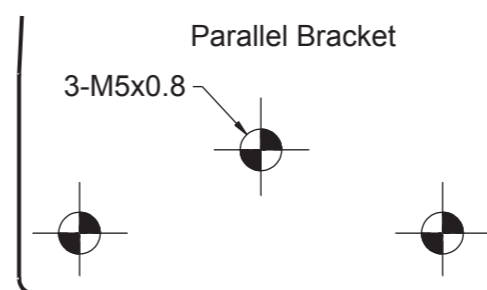


PARALLEL ARM INSTALLATION FOR ANTI CLOCKWISE OPENING DOOR FOR CLOCKWISE OPENING DOOR SEE THE BACK PAGE

This template covers regular parallel arm installations to 180° openings.



Model NO.	Approximate Door Size (Width)		Max. Door Weight
	Interior	Exterior	
2	830 mm	Not Recommended	45 KG
3	950 mm	830 mm	60 KG
4	1030 mm	930 mm	80 KG
5	1130 mm	1030 mm	110 KG
6	1330 mm	1130 mm	150 KG



This face to underside of frame head

FOLD HERE

Set to underside of frame head

Set this end to the left of door

