

Features

Three-year limited warranty
UL listed (UL 10C)
Universal application & non-handed installation
Constructed with precise aluminum die-cast body with steel arm
A heat-treated steel rack & pinion immersed in high-grade oil operate a nest of coils to give a smooth precise action & minimum wear
Stable hydraulic fluid for any climatic operation & constant lubrication
Adjustable closing and latching speed
ANSI Grade 2
Optional full plastic cover
Optional sex bolts and thru bolts

Package Includes:

. Parallel bracket
. Wood screws and machine screws

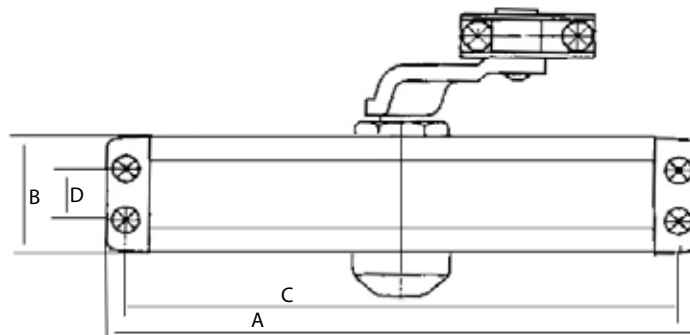
GC800 Series



*Finish Availability:

AL: Aluminum (Painted)
 DB: Dark Bronze (Painted)
 GB: Gold Bras (Painted)

Description	GC802	GC803	GC804
Fits to door size	2	3	4
Door weight range (lbs)	60-110	90-155	135-210
A. Length of door closer body	7-3/8"	8-13/16"	9-13/16"
B. Height of door closer body	1-3/4"	1-3/4"	1-3/4"
C. Horizontal mounting holes	6-13/16"	8-1/8"	9-1/8"
D. Vertical mounting holes	3/4"	3/4"	3/4"
E. Projection from door	2-5/8"	2-7/8"	2-7/8"



UL Listed