

### Features

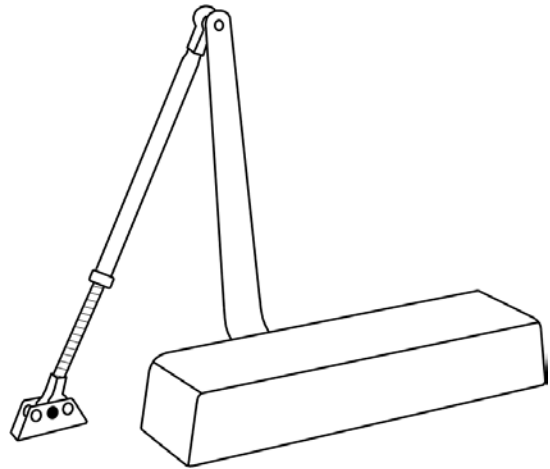
10-year limited warranty
UL Listed (UL10C)
Universal application and non-handed installation (regular and parallel bracket included)
Multi-size strength, power adjustable (factory preset size 3) - GC5600(size 2-5), GC5600BF & GC5600BFDA(size 1-4)
Hardened steel rack and pinion mechanism
Adjustable back check standard
Fixing for both metal and timber doors
Adjustable closing and latching speed
Optional delay action
ANSI Grade 1

### Package Includes:

. Parallel bracket
. Wood screws and machine screws
. Full plastic cover
. Sex bolts and Thru bolts

# GC5600

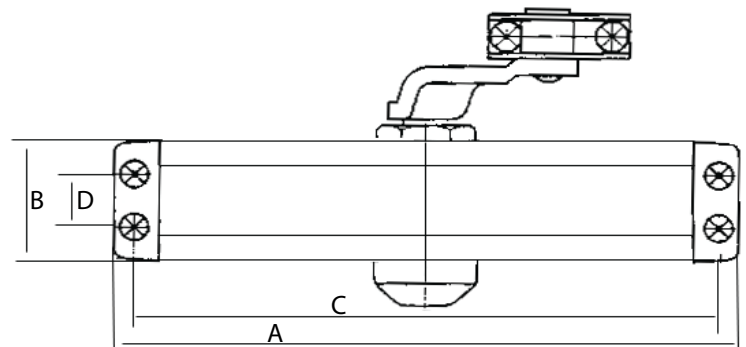
## Series



### \*Finish Availability:

GB: Gold Brass (Painted)

Description	GC5600
Door weight range (lbs)	33-176
A. Length of door closer body	12-5/8"
B. Height of door closer body	1-13/16"
C. Horizontal mounting holes	12"
D. Vertical mounting holes	3/4"



**UL Listed**