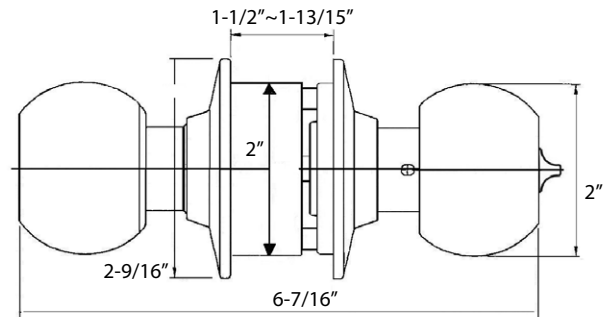
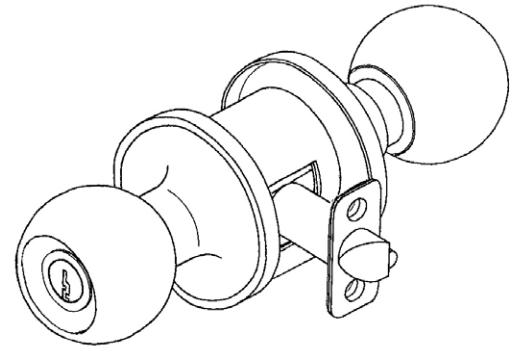


Specifications	
Door Prep.	Cross Bore: 2-1/8", Edge Bore:1".
Latch Backset	Exterior: Adjustable UL round corner deadlatch standard. Interior: Adjustable UL round corner plainlatch standard.
Door Thickness	1-3/8" to 1-3/4" standard.
Cylinder	6-pin SC "C" keyway solid brass cylinder standard. 5-pin KW keyway available.
Faceplate	1x2-1/4" round corner standard.
Strike Plate	2-1/4x1-3/4" full lip round corner standard.
Handing	Reversible for left or right hand doors.
Bolt	1/2" throw.
ANS/BHMA	A 156.2 series 4000 Grade 2

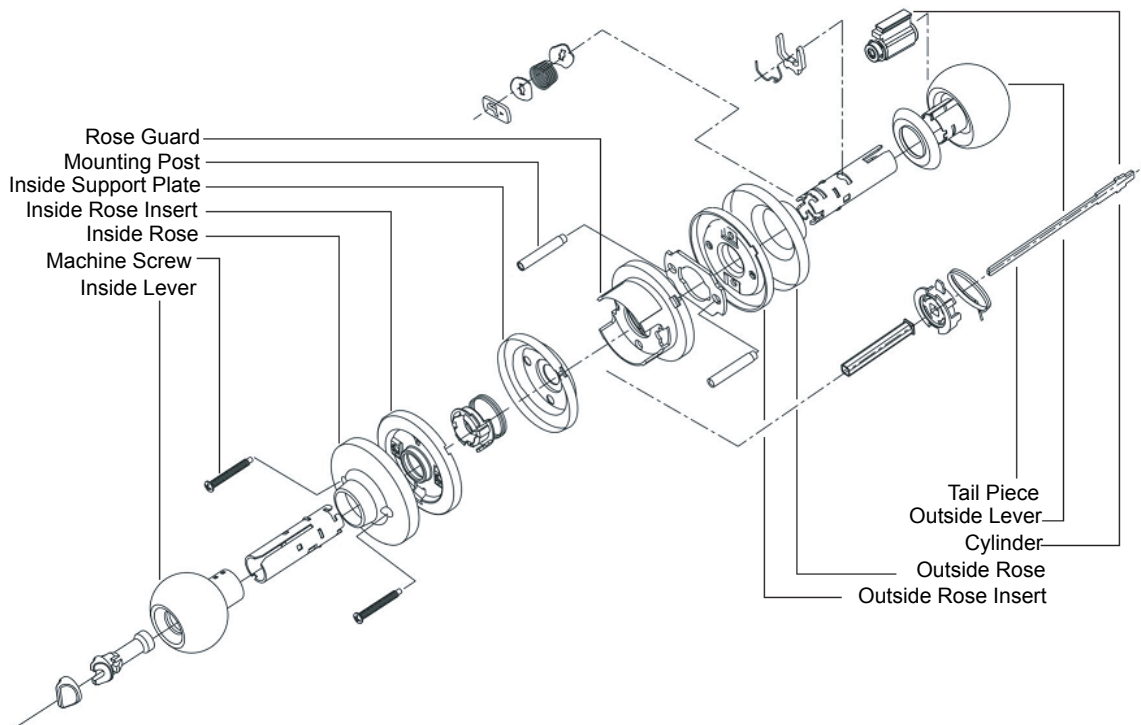
Function	Description
Entry	Outside knobs/levers locked or unlocked by key outside or turnpiece/pushbutton inside. Inside always free.
Privacy	Outside knobs/levers locked or unlocked by turnpiece/pushbutton inside or by a coin and screwdriver outside. Inside always free.
Passage/ Hall & Closet	Both knobs/levers always free..
Half Dummy	Single dummy trim for pull only.
Storeroom	Outside knobs/levers always fixed and unlocked by key only. Inside always free.
Classroom	Outside knobs/levers locked or unlocked by key. Inside always free.

*Finish Availability - US 3, 5, 32D

Sierra Series



Function	Length (A)	Length (B)
Entry	2-11/16"	2-11/16"
Privacy	2-11/16"	2-11/16"
Passage	2-7/8"	2-7/8"



UL Listed