

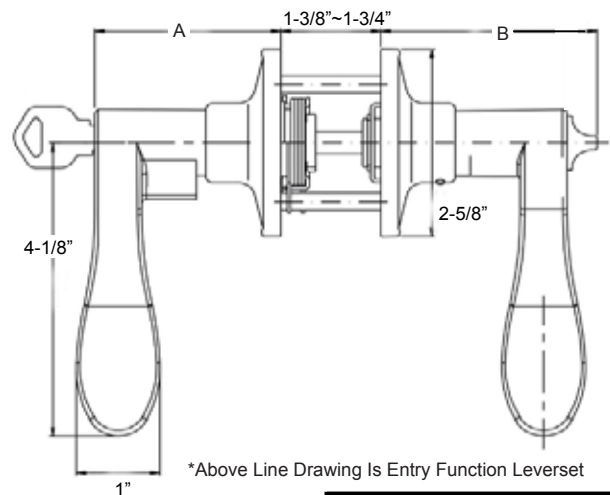
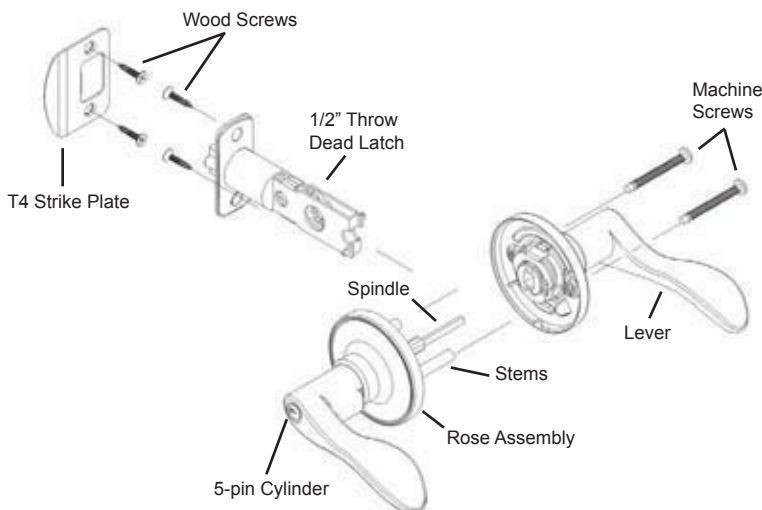
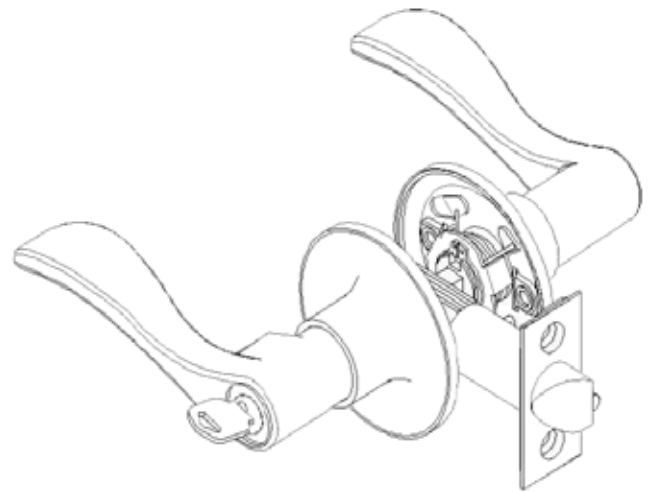
Specifications	
Door Prep.	Cross Bore: 2-1/8", Edge: 1"
Latch Backset	Exterior: 2-3/8" round corner deadlatch standard on all exterior function levers. Interior: 2-3/8" round corner plainlatch standard on all interior function levers.
Door Thickness	Fits 1-3/8" to 1-3/4" door.
Cylinder	5-pin "KW" keyway solid brass cylinder.
Faceplate	1x2-1/4" round corner standard.
Strike Plate	2-1/4x1-3/4" full lip round corner standard.
Handing	Specify right or left door handed
Bolt	1/2" throw for all function
ANS/BHMA	A 156.2 Grade 3
Material	Zinc die-cast lever.

Function	Description
Entry	Both levers locked or unlocked by key outside or turnpiece inside.
Privacy	Both knobs locked or unlocked by turnpiece inside. Outside knob unlocked by coin or screwdriver.
Bathroom-Split Finish	Same function as privacy above. Inside lever polished chrome.
Passage/Hall & Closet	Both levers always free
Half Dummy Trim, Surface Mounted	For doors where only pull is required.

*Finish Availability - US 3, 10B, 11P, 15, 15A, 19

Naples

Series



*Above Line Drawing Is Entry Function Leverset

Function	Length (A)	Length (B)
Entry	2-3/8"	2-3/4"
Privacy	2-1/8"	2-7/16"
Passage	2-1/16"	2-1/16"