

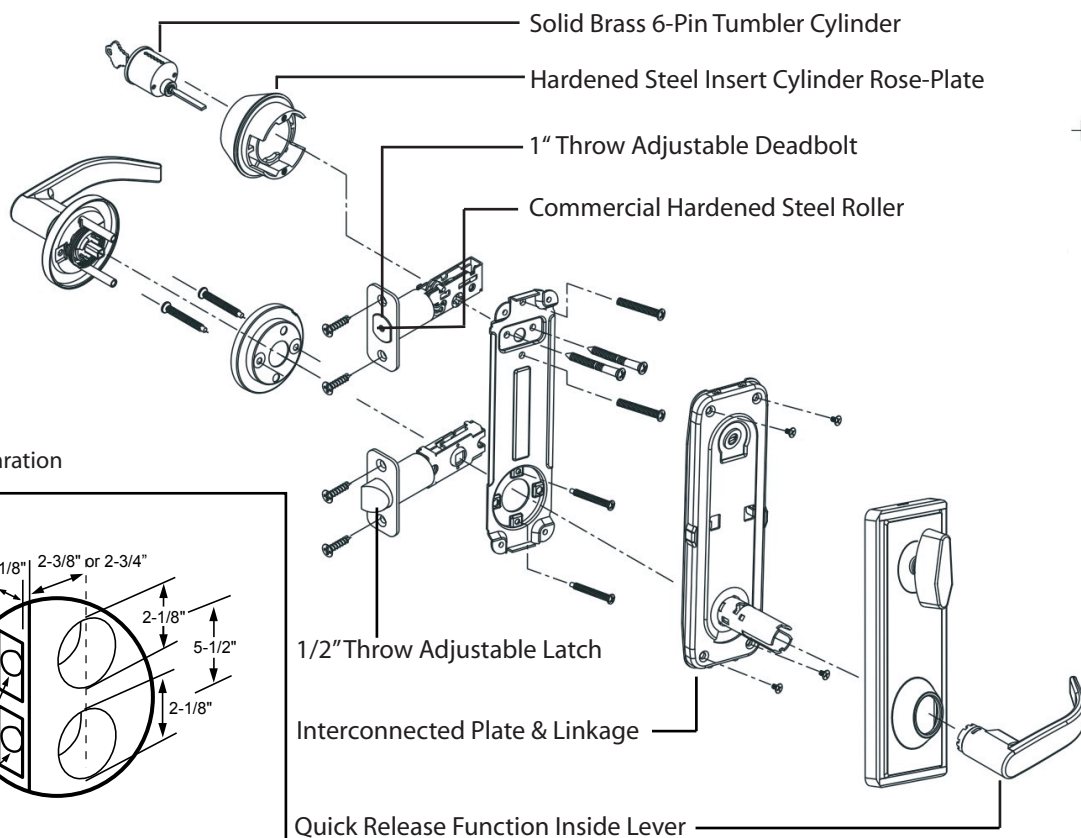
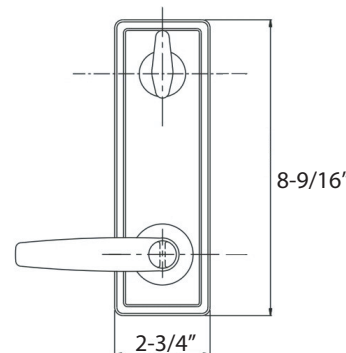
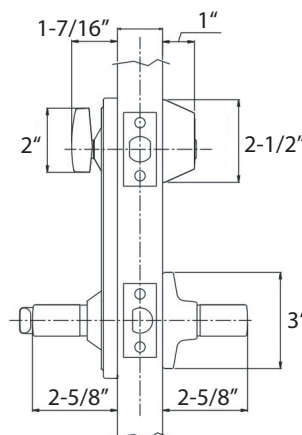
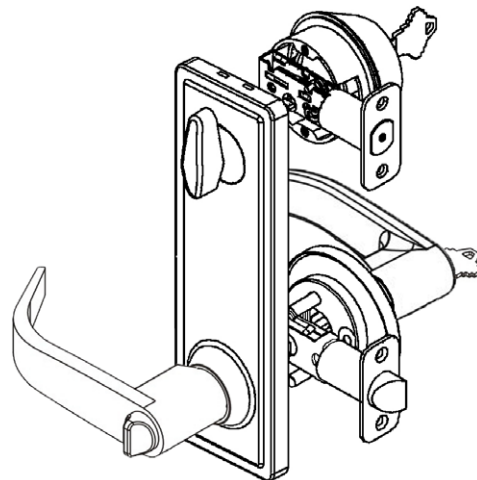
Specifications	
Door Prep.	Cross Bore: 2-1/8", Edge: 1-1/8", Center to Center: 5-1/2"
Latch Backset	Entry: Adjustable UL square corner deadlatch standard. Passage: Adjustable UL square corner Plainlatch standard. Deadbolt: Adjustable UL square corner deadbolt standard.
Door Thickness	1-3/8" to 1-3/4" standard.
Cylinder	6-pin SC "C" keyway solid brass cylinder standard. 5-pin KW keyway available.
Faceplate	1-1/8x2-1/4" square corner standard.
Strike Plate	Tubular locks: 2-3/4x1-1/8" square corner T-strike standard. Deadbolt: 2-3/4x1-1/8" square corner standard.
Handing	Reversible for left or right hand doors.
Bolt	Deadbolt: 1" throw, Lever: 1/2" throw
ANS/BHMA	Tubular locks: A 156.2 series 4000 Grade 2 Deadbolts: A156.5 series 4000 Grade 2
UL Listed	3 hours fire rated

Function	Description
Single deadbolt w/ Entrance Lever	Deadbolt is operated by key outside, and turnpiece inside. Lever locked or unlock by key outside and turnpiece inside. Inside lever retracts deadbolt and deadlatch simultaneously for panic exit.
Single deadbolt w/ Passage Lever	Deadbolt is operated by key outside, and turnpiece inside. Latchbolt retracted by lever from either side. Inside lever retracts deadbolt and deadlatch simultaneously for panic exit.

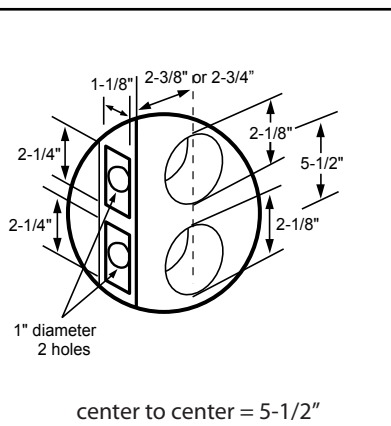
\*Finish Availability - US 10B, 15

# Fremont

## Interconnected Lock



Door preparation



UL Listed