

# Single Cylinder Deadbolt *FD7 Series*



### FEATURES & OPTIONS

#### Door Preparation

Cross Bore: 2-1/8", Edge: 1"

#### Latch Backset

Adjustable UL deadbolt standard  
(other options available)

#### Faceplate

1" x 2-1/4" square corner standard  
(other options available)

#### Bolt

1" throw

#### Door Thickness

Fit 1-3/8" to 1-3/4" standard  
(extension kit available for 1-3/4" to 2-1/4" door)

#### Cylinder

6-pin SC "C" keyway solid brass cylinder  
standard

Also available in:

5-pin KW keyway

6-pin small format interchangeable core

#### Strike Plate

2-3/4" x 1-1/8" square corner strike standard with  
reinforced plate and 3" wooden screws  
(other options available)

#### Handing

Non-Handed

### FINISHES

(other finishes available upon request with lead-time)

- US3 – 605 – Polished Brass
- US5 – 609 – Antique Brass
- US10B – 613 – Oil Rubbed Bronze
- US15 – 619 – Satin Nickel
- US26D – 626 – Satin Chrome
- US32D – 630 – Satin Stainless Steel

### WARRANTY

- Lifetime mechanical warranty
- Five years finish warranty



### CODE COMPLIANCE

- Meets ANSI/BHMA A156.36,  
Series 4000, Grade 2
- Meets ADA Requirements
- UL 3-Hour Fire Rated

### SPECIFICATIONS

**Lockset:** Grade 2 tubular deadbolt lock shall be by PAMEX model # **FD7 Series**. Deadbolt shall be non-handed, reversible and made from solid brass. The bolt shall be made with hardened steel insert for saw resistant and have 1" projection.

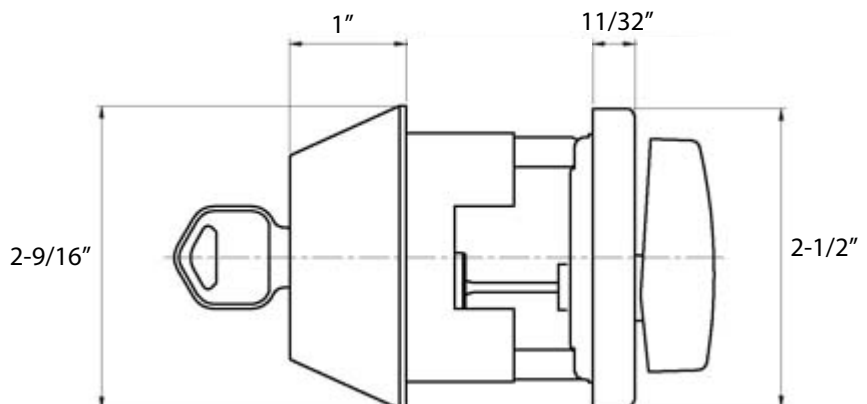
### FUNCTIONS

#### Single Cylinder – E2151 (FD71)

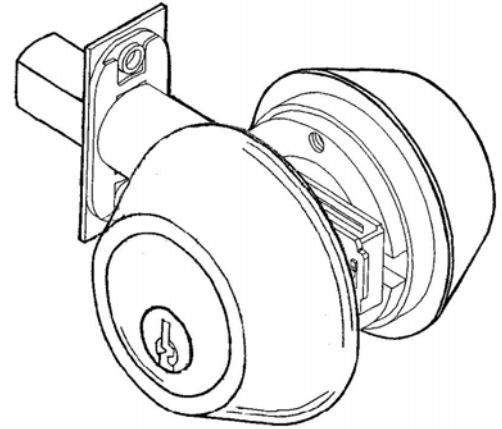
Bolt is operated by key from outside and turn-piece inside.

#### Double Cylinder – E2141 (FD72)

Bolt is operated by key on both sides.



# Double Cylinder Deadbolt *FD7 Series*



### FEATURES & OPTIONS

#### Door Preparation

Cross Bore: 2-1/8", Edge: 1"

#### Latch Backset

Adjustable UL deadbolt standard  
(other options available)

#### Faceplate

1" x 2-1/4" square corner standard  
(other options available)

#### Bolt

1" throw

#### Door Thickness

Fit 1-3/8" to 1-3/4" standard  
(extension kit available for 1-3/4" to 2-1/4" door)

#### Cylinder

6-pin SC "C" keyway solid brass cylinder  
standard

Also available in:

5-pin KW keyway

6-pin small format interchangeable core

#### Strike Plate

2-3/4" x 1-1/8" square corner strike standard with  
reinforced plate and 3" wooden screws  
(other options available)

#### Handing

Non-Handed

### FINISHES

(other finishes available upon request with lead-time)

- US3 – 605 – Polished Brass
- US5 – 609 – Antique Brass
- US10B – 613 – Oil Rubbed Bronze
- US15 – 619 – Satin Nickel
- US26D – 626 – Satin Chrome
- US32D – 630 – Satin Stainless Steel

### WARRANTY

- Lifetime mechanical warranty
- Five years finish warranty



### CODE COMPLIANCE

- Meets ANSI/BHMA A156.36,  
Series 4000, Grade 2
- Meets ADA Requirements
- UL 3-Hour Fire Rated

### SPECIFICATIONS

**Lockset:** Grade 2 tubular deadbolt lock shall be by PAMEX model # **FD7 Series**. Deadbolt shall be non-handed, reversible and made from solid brass. The bolt shall be made with hardened steel insert for saw resistant and have 1" projection.

### FUNCTIONS

#### Single Cylinder – E2151 (FD71)

Bolt is operated by key from outside and turn-piece inside.

#### Double Cylinder – E2141 (FD72)

Bolt is operated by key on both sides.

