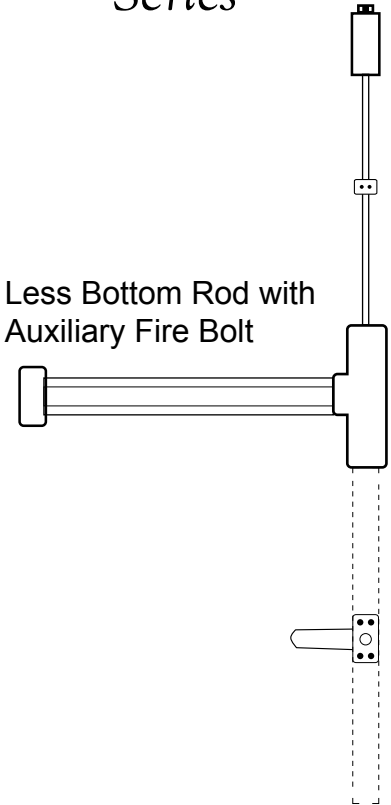


EF5000/LBR

Series

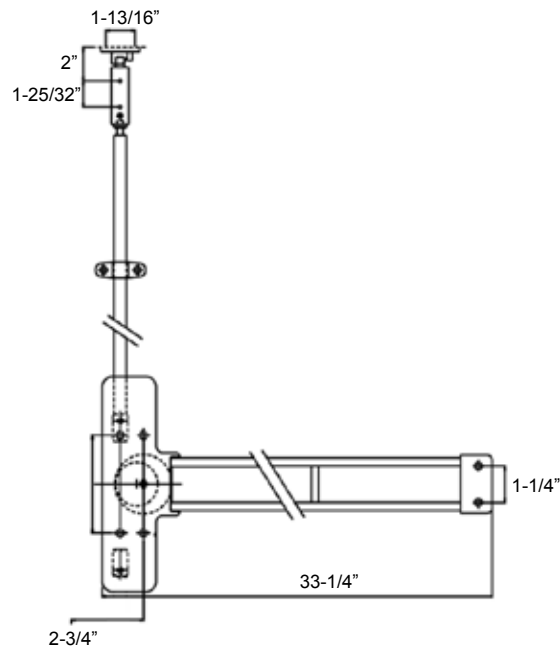
Specifications	
Door Height	For door up to 7'0" high -- 7'0" standard
Door Width	For door 2'6" to 3'0" wide -- 3'0" standard
Stile	4-1/4" min.
Mounting Height	40-5/16" from CL to finished floor recommended
Mounting	Furnished standard with sheet metal & machine screws and SNB
Cylinders	6-pin standard
UL Listed	ANSI Grade 1
Operation	Exit by slight pressure on any point on the push bar at all time
Material	Push bar of extruded anodized aluminum, spring of stainless steel
Latch Bolts	3/4" throw, stainless steel
Dead Latch Bolts	5/8" stainless steel
Finish	Push bar-anodized, cover-painted
Strike	For 5/8" stop, plus shim for 1/2" stop
Protection	2-1/2" maximum, 1-7/8" depressed
Reversible	Non-handed. Reversible for all functions and trims
Door Thickness	1-3/4" thick standard. Specify if other than 1-3/4" trims
Backset	2-3/4"
Top Latchbolt	3/4" throw, stainless steel
Top Deadbolt	1/2" throw, steel bolt
Less Bottom Rod	Free access for wheel chair, stretcher and carts therefore eliminates tripping potential and disfiguration of floors due to dragging of bottom bolts
Auxiliary Fire Bolt	Auxiliary spring loaded latchbolt is installed in the lower edge of the door. When exposed to fire, latchbolt releases keeping the door closed and regulated

Less Bottom Rod with
Auxiliary Fire Bolt



Finish Availability:

AL: Aluminum (Painted)
DB: Dark Bronze (Painted)



UL Listed