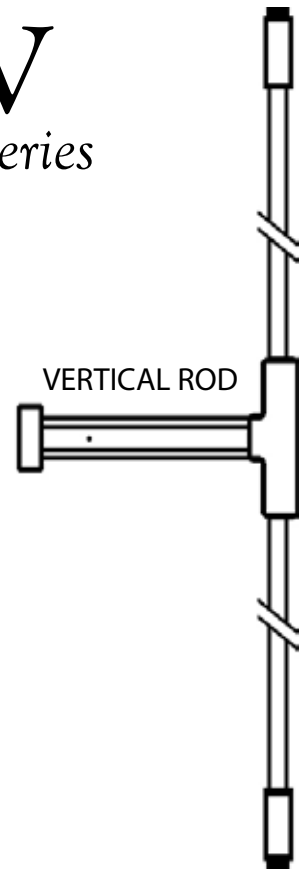


E5000V

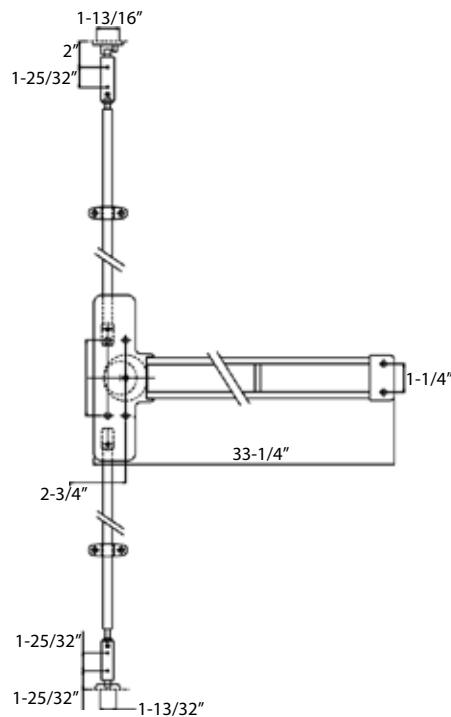
Series



Specifications	
Door Height	For door up to 8'0" high -- 7'0" standard
Door Width	For door 2'6" to 4'0" wide -- 3'0" standard
Stile	4-1/4" min.
Mounting Height	40-5/16" from CL to finished floor recommended
Mounting	Furnished standard with sheet metal & machine screws
Cylinders	6-pin standard
Dogging	1/4" turn, hex key dogging
UL Listed	ANSI Grade 1
Operation	Exit by slight pressure on any point on the push bar at all time
Material	Push bar of extruded anodized aluminum, spring of stainless steel
Latch Bolts	3/4" throw, stainless steel
Dead Latch Bolts	5/8" stainless steel
Finish	Push bar-anodized, cover-painted
Strike	For 5/8" stop, plus shim for 1/2" stop
Protection	2-1/2" maximum, 1-7/8" depressed
Reversible	Non-handed. Reversible for all functions and trims
Door Thickness	1-3/4" thick standard. Specify if other than 1-3/4" trims
Backset	2-3/4"
Top Latchbolt	3/4" throw, stainless steel
Top Deadbolt	1/2" throw, steel bolt
Bottom Latchbolt	3/4" throw, stainless steel

Finish Availability:

- AL: Aluminum (Painted)
- DB: Dark Bronze (Painted)
- PB: Polished Brass (Painted)



UL Listed