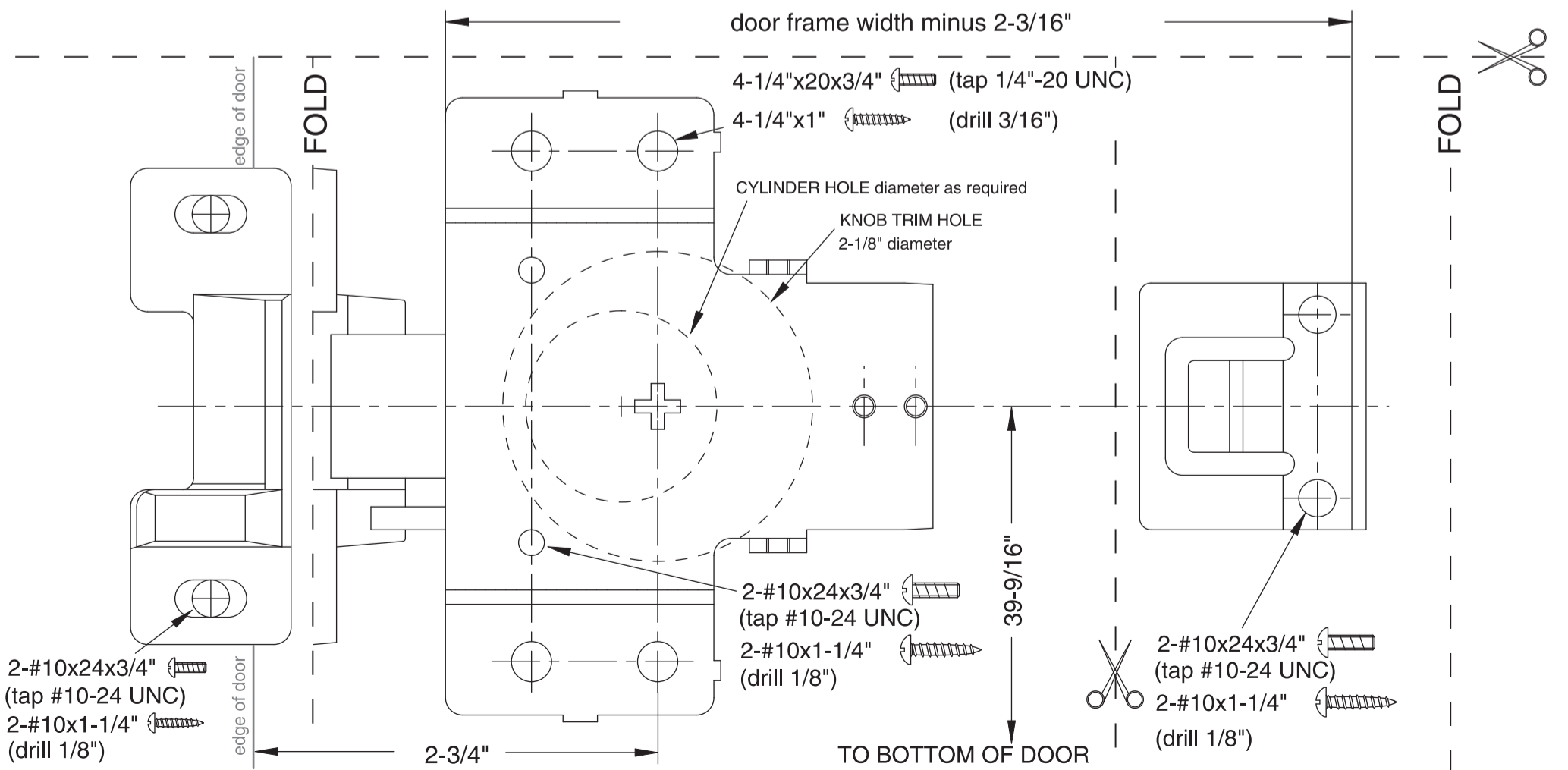
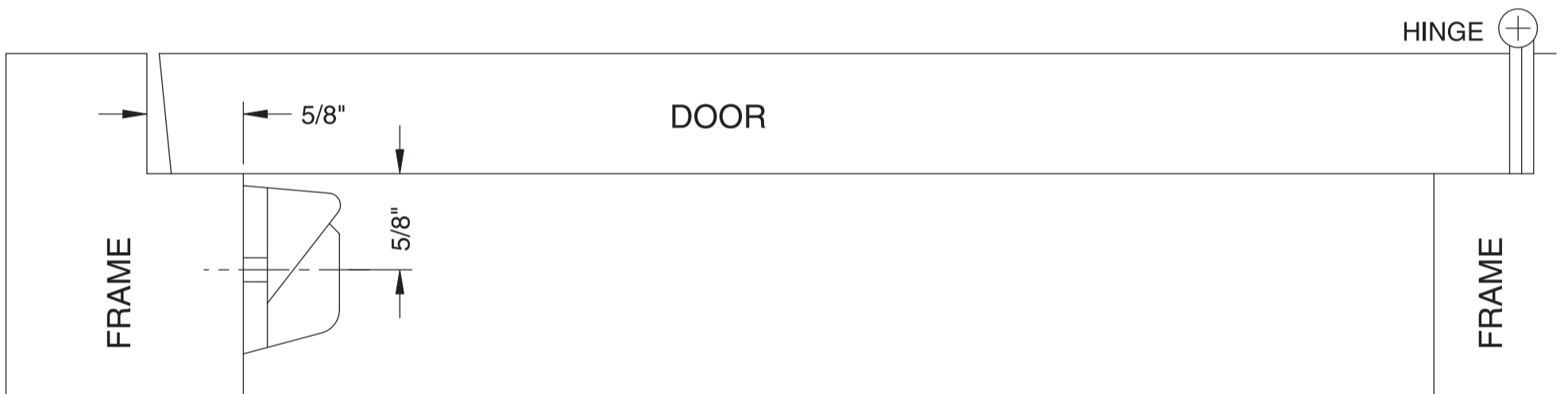
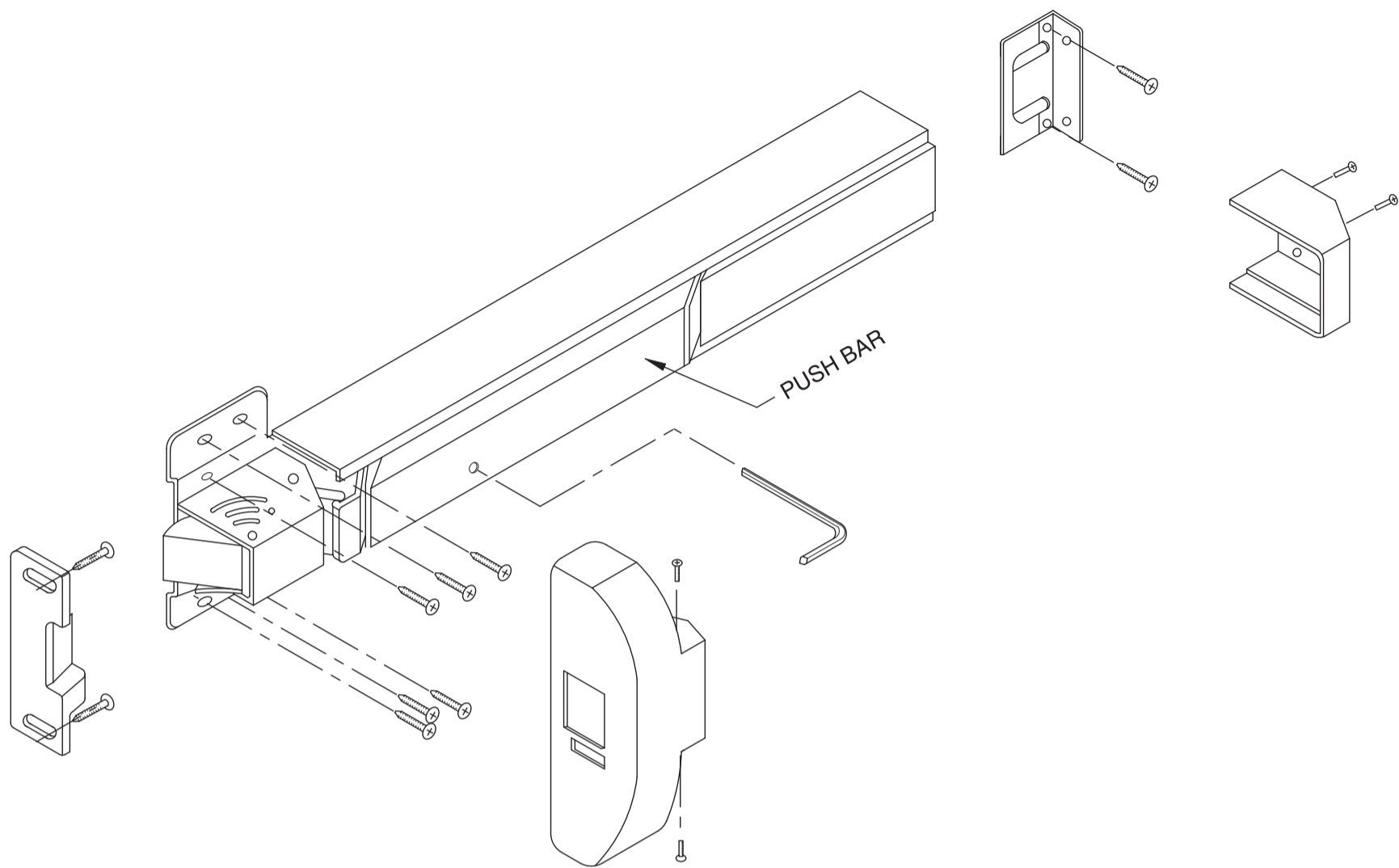
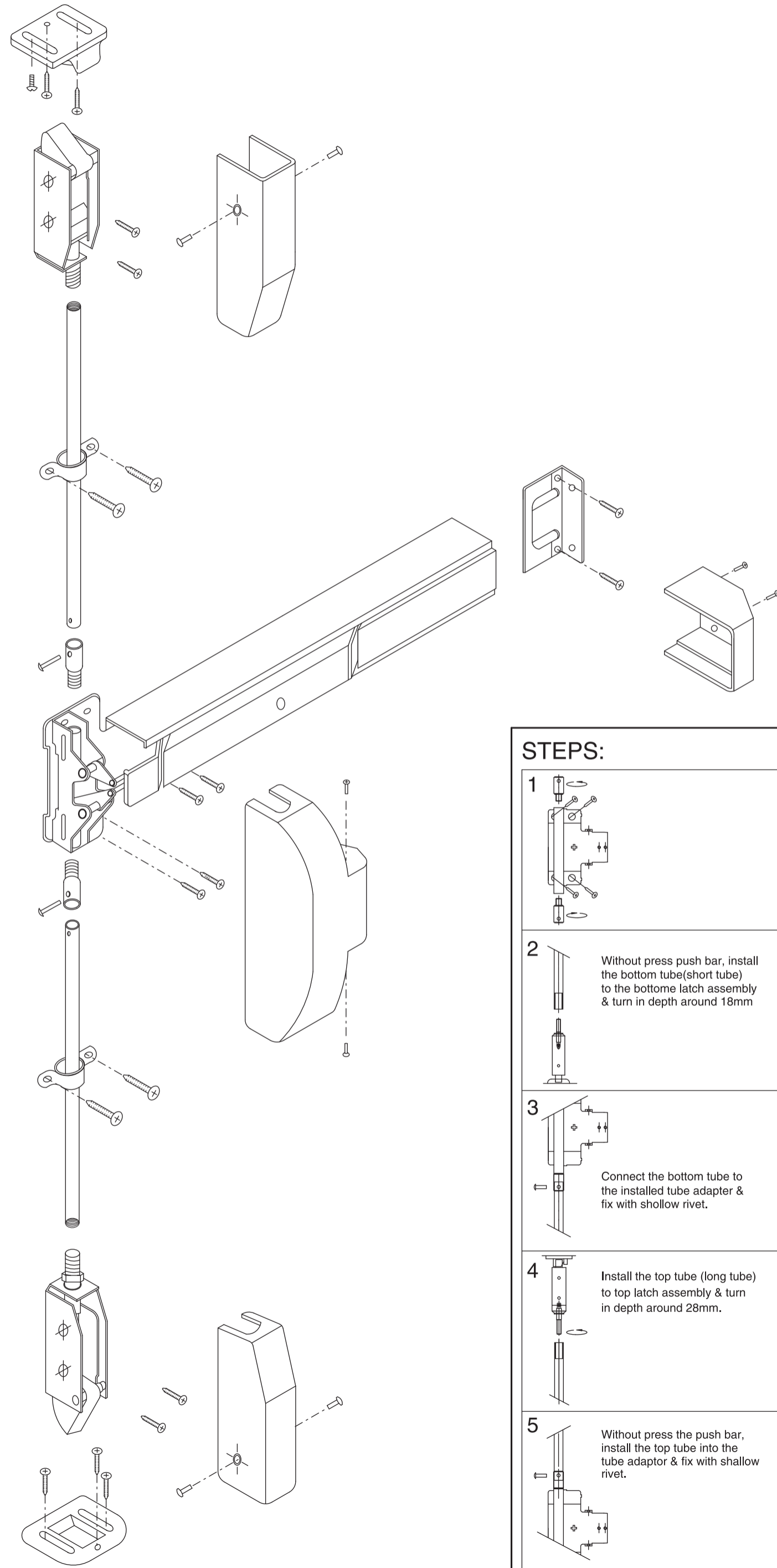


5000 SERIES RIM DEVICE



5000 VERTICAL EXIT DEVICE-REVERSIBLE INSTALLTION INSTRUCTION



STEPS:

- Step 1: Initial assembly of the top latch.
- Step 2: Without press push bar, install the bottom tube(short tube) to the bottom latch assembly & turn in depth around 18mm
- Step 3: Connect the bottom tube to the installed tube adapter & fix with shallow rivet.
- Step 4: Install the top tube (long tube) to top latch assembly & turn in depth around 28mm.
- Step 5: Without press the push bar, install the top tube into the tube adaptor & fix with shallow rivet.

A: Top strike and shims (if necessary).
 B: Top latch.
 C: Head assamble.
 D: Bottom latch.
 E: Bottom strike and strike shims (if necessary).
 F: End plate.

