

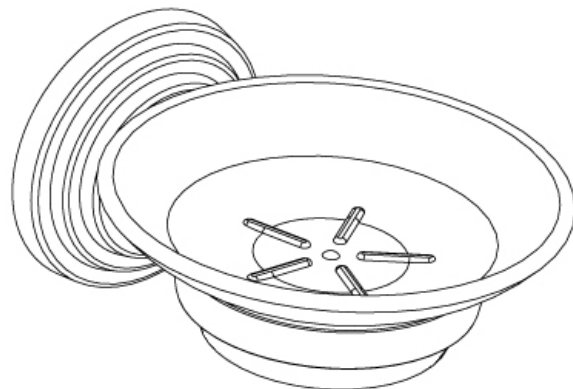
Soap Holder with Glass Dish

Model: BS9-60

Features

- Material: Solid Brass
- Concealed Surface Mount Application
- Provided with
 - Mounting Plate: 2-1/4" x 1"
 - Plastic Anchors x 2
 - Steel Phillips Head Screws #8 x 1-1/4"
- Projection: 5" from Mounting Surface
- Overall Size: 4-1/4" x 3"

Eureka
Collection



Available Finish:

- Chrome
- Polished Brass
- Chrome/Brass
- Satin Nickel
- Nickel/Brass

