

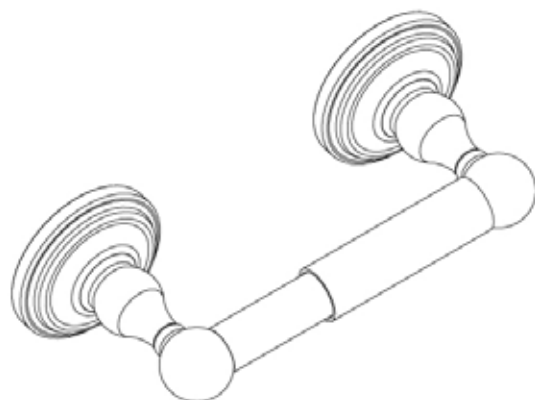
Surface Paper Holder

Model: BC7-42

Features

- Material: Zinc Die-cast
- Concealed Surface Mount Application
- Provided with
 - Mounting Plate: 2-3/16" x 1"
 - Plastic Anchors x 4
 - Steel Phillips Head Screws #8 x 1-1/4"
- Projection: 3-5/8" from Mounting Surface
- Spring Load Plastic Paper Holder Roller
7/8" Diameter x 6"
- Overall Size: 9-1/4" x 2-3/4"

Ventura Collection



Available Finish:

- Chrome
- Polished Brass
- Chrome/Brass
- Satin Nickel
- Antique Nickel
- Nickel/Brass
- Oil Rubbed Bronze
- Venetian Bronze
- Matte Black
- Dark Bronze

