

27223 Chrome

27267 Chrome
27227 Chrome

27229 Chrome

27567 Brushed Nickel
27527 Brushed Nickel



1.5 GPM

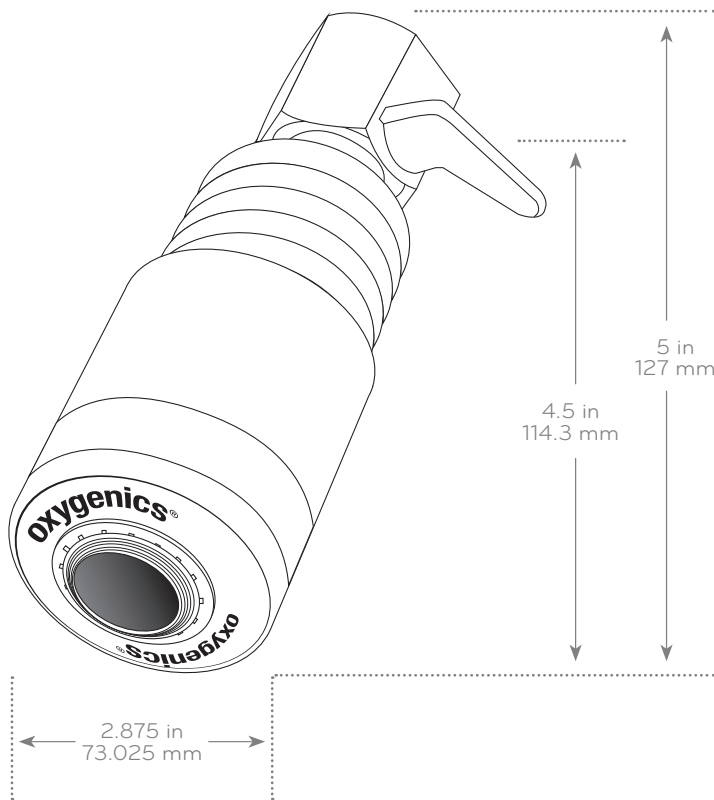


2.0 GPM

2.5 GPM

Submitted Model No.: _____

Specific Features: _____



PRODUCT SPECIFICATIONS:

- Dimensions:** 2.875" x 2.875" x 5"
- Weight:** 0.65 lb.
- Max Flow Rate:** 1.5 GPM, 2.0 GPM, 2.5 GPM
- Available Finishes:** Chrome, Brushed Nickel

SETTINGS:



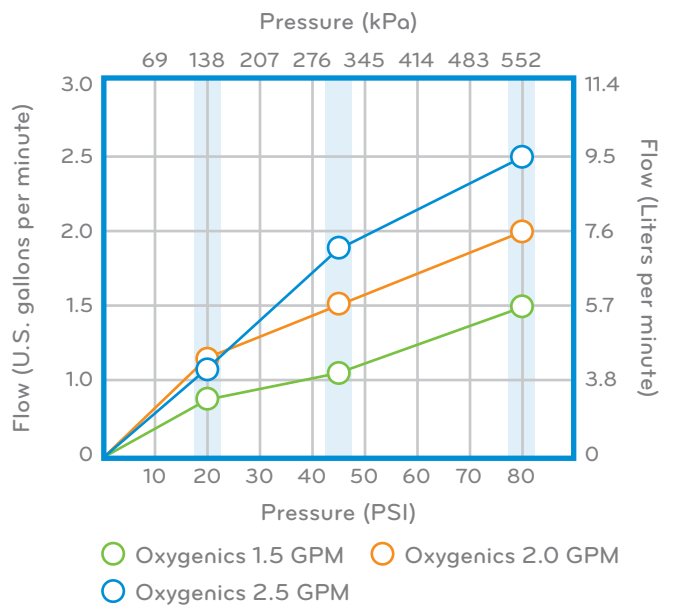
Oxygenics with Comfort Control

FEATURES:

- + **Patented Oxygenics engine amplifies water pressure**, turning weak showers into powerful showers in just minutes.
- + Efficient design reduces water usage and energy costs, **saving up to \$85+ per year**.
- + **Comfort control easily adjusts** the level of water pressure strength.
- + Air-induction technology strengthens spray and **increases oxygen content**.
- + **Quality construction** and non-stick internal materials deliver continuous performance.
- + **Includes a lifetime guarantee** never to clog or fail.

WHAT'S INCLUDED:

- + Fixed Shower + Plumber's Tape



"NEVER CLOG!" Guarantee

Limited lifetime performance warranty against failure or clogging.

