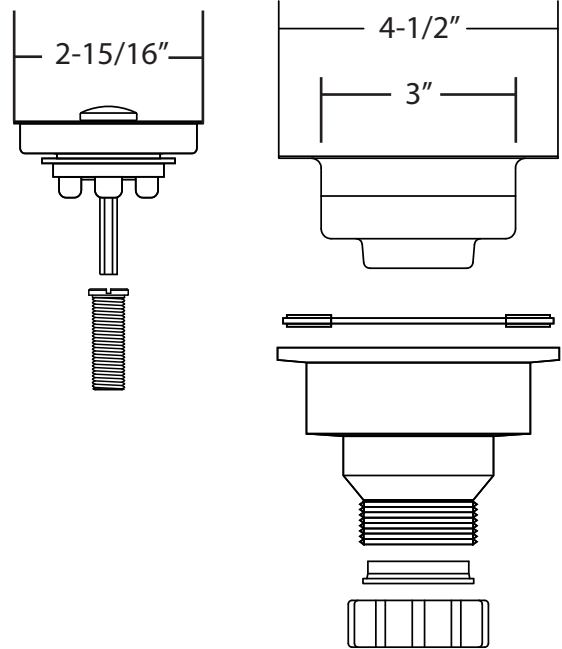




Opella, LLC
1160 West 13th Street
Riviera Beach, FL 33404
(772) 919-7905 Fax: (561) 640-3586

Product Specification/Cut Sheet 90066.xxx



Strainer Waste Assembly

90066.xxx

- Stainless Steel Flange
- Stainless Steel / Celcon Basket
- Fits all Standard Sinks (3-1/2" dia)
- Quick & Simple Installation

- Metallic Finishes are all Stainless Steel
- Colored Finishes have Stainless Steel flanges with Celcon Baskets

DIMENSIONS

- Basket Diameter: 2-15/16"
- Fits Standard 3-1/2" Sink Openings

CARE AND CLEANING:

Care should be given to the cleaning of this product. While its finish is extremely durable, it can be damaged by harsh abrasives or polish. To clean, simply wipe gently with a damp cloth and blot dry with a soft towel.

NOTE: Dimensions may vary +/-1/2" and are subject to change or cancellation.

Primary dimensions are provided in Imperial measurements, transposition to millimeters is the sole responsibility of the installer. Dimensions for Location of Supply are Suggested.

Opella, LLC assumes no responsibility or liability for local or state regulations which deviate from national standards. It shall be the responsibility of the installer to comply with local codes and standards prior to installation of any Opella product.